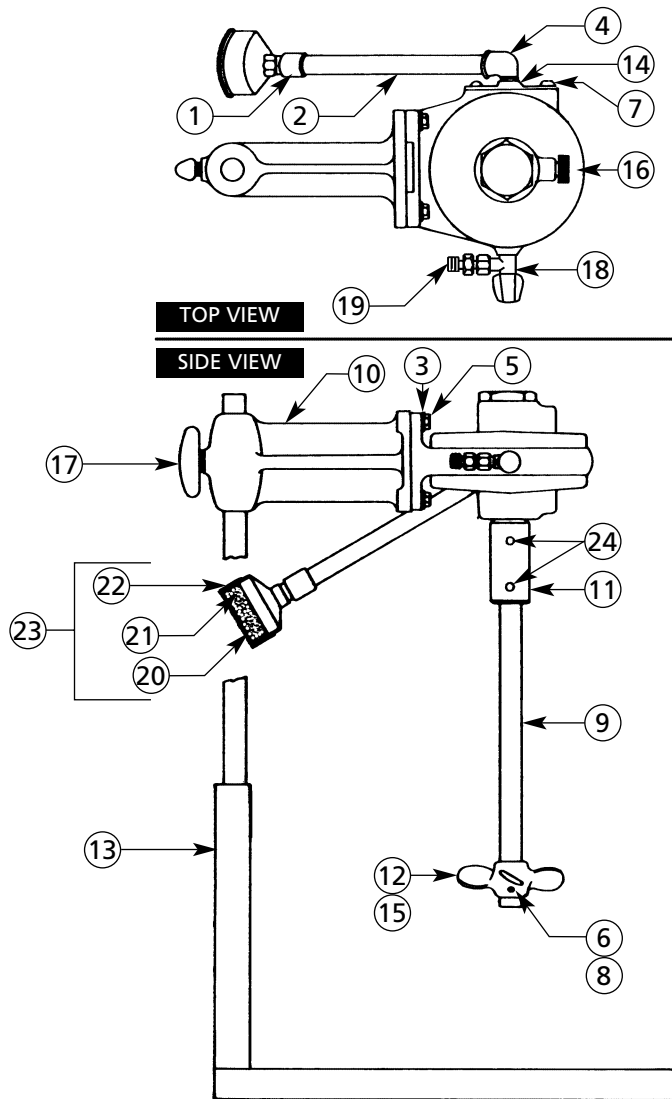




Binks Model 31-100 LABORATORY AGITATOR UNIT

See reverse side for Model 37-261 Air Motor



PARTS LIST

When ordering, please specify Part No.

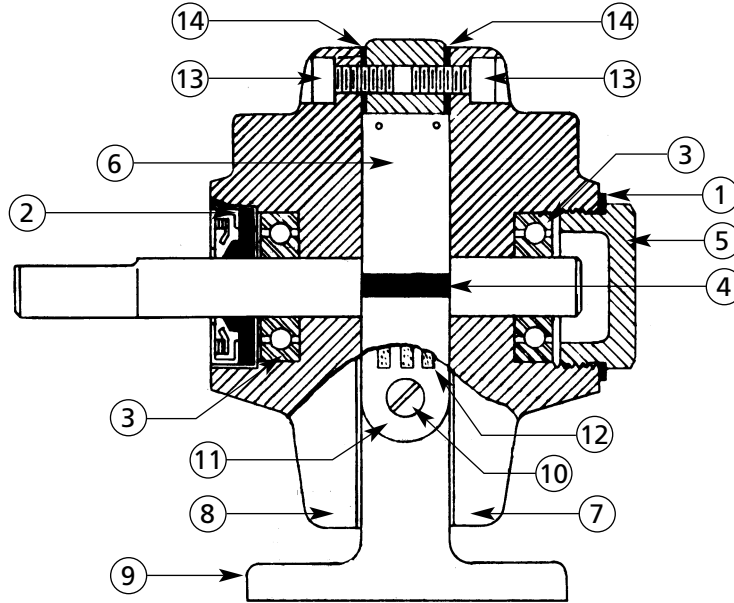
ITEM NO.	PART NO.	DESCRIPTION	QTY.	ITEM NO.	PART NO.	DESCRIPTION	QTY.
1	20-48	COUPLING, 1/4 NPT	1	12	31-40	PROPELLER, aluminum, standard	1
2	20-144	NIPPLE, 1/4 NPT x 6" long	1	13	31-45	BASE	1
3	20-263	FLAT WASHER, 1/4" diameter	4	14	31-76	ADAPTER	1
4	20-369	STREET ELBOW, 1/4 NPT	1	15	31-77	PROPELLER, stainless steel	1
5	20-826-1	HEX CAP SCREW, 1/4-20 x 1" long	4	16	37-261	AIR MOTOR	1
6	20-1237	SOC. HD. SET SCREW, steel, standard, 1/4-20 x 1/4" long	1	17	70-64386	SCREW	1
7	20-1296	RD. HD. M. SCREW, 10-32 x 1/2" long..	2	18	73-159	AIR ADJUSTING VALVE	1
8	20-2141	SOC. HD. SET SCREW, stainless steel, 1/4-20 x 1/4" long	1	19	83-1050	D.M. NIPPLE	1
9	31-1	PROPELLER SHAFT	1	20	83-1524	SCREEN	1
10	31-8	AIR MOTOR BRACKET	1	21	83-1525	FILTER	1
11	31-9	SLEEVE	1	22	83-1526	FILTER CUP	1
				23	83-1527	MUFFLER ASSEMBLY	1
				24	20-1076	SET SCREW, 5/16"-18 x 5/16"	2

Binks Model 37-261 AIR MOTOR

SPEED: The speed of the air motor is regulated by the 73-159 air adjusting valve. The speed of the propeller shaft will be determined by the fluid, but it should never be run faster than 3,000 RPM.

LUBRICATION: The air motor bearings are prelubricated and sealed. However, every 100 hours insert a few drops of SAE 10 non-detergent oil into the air inlet to lubricate the vanes and housing surfaces.

AIR SUPPLY: The air supply leading to the motor should be at least 60 PSI for best results.



PARTS LIST

When ordering, please specify Part No.

ITEM NO.	PART NO.	DESCRIPTION	QTY.	ITEM NO.	PART NO.	DESCRIPTION	QTY.
1	37-85★	END CAP GASKET	1	8	37-254	DRIVE END PLATE	1
2	37-90★	OIL SEAL.....	1	9	37-255	HOUSING	1
3	37-91★	BEARING	2	10	37-256	MUFFLER COVER SCREW	1
4	37-92★	ROTOR VANE	4	11	37-257	MUFFLER COVER	1
5	37-96	BEARING PLUG	1	12	37-258★	MUFFLER FELT	1
6	37-100	ROTOR ASSEMBLY.....	1	13	37-259	END PLATE SCREW	12
7	37-253	DEAD END PLATE	1	14	37-337★	END PLATE GASKET.....	2

★ For Repair Parts Kit, order 6-183.

Sales and Service Through a Nationwide Network of Industrial Distributors.

Customer Service in USA / 1-800-992-4657
Technical Support in USA / 1-888-992-4657



195 Internationale Blvd.
 Glendale Heights, IL 60139

1147R-4 Revisions: Updated graphic standards; (P1) Changed 20-49 Coupling to 20-48, changed 20-537 Hex Cap Screw to 20-826-1, changed 73-59 Air Adjusting Valve to 73-159, updated diagram and Parts List; (P2) Changed 20-1206 Muffler Cover Screw to 37-256, updated diagram and parts list.