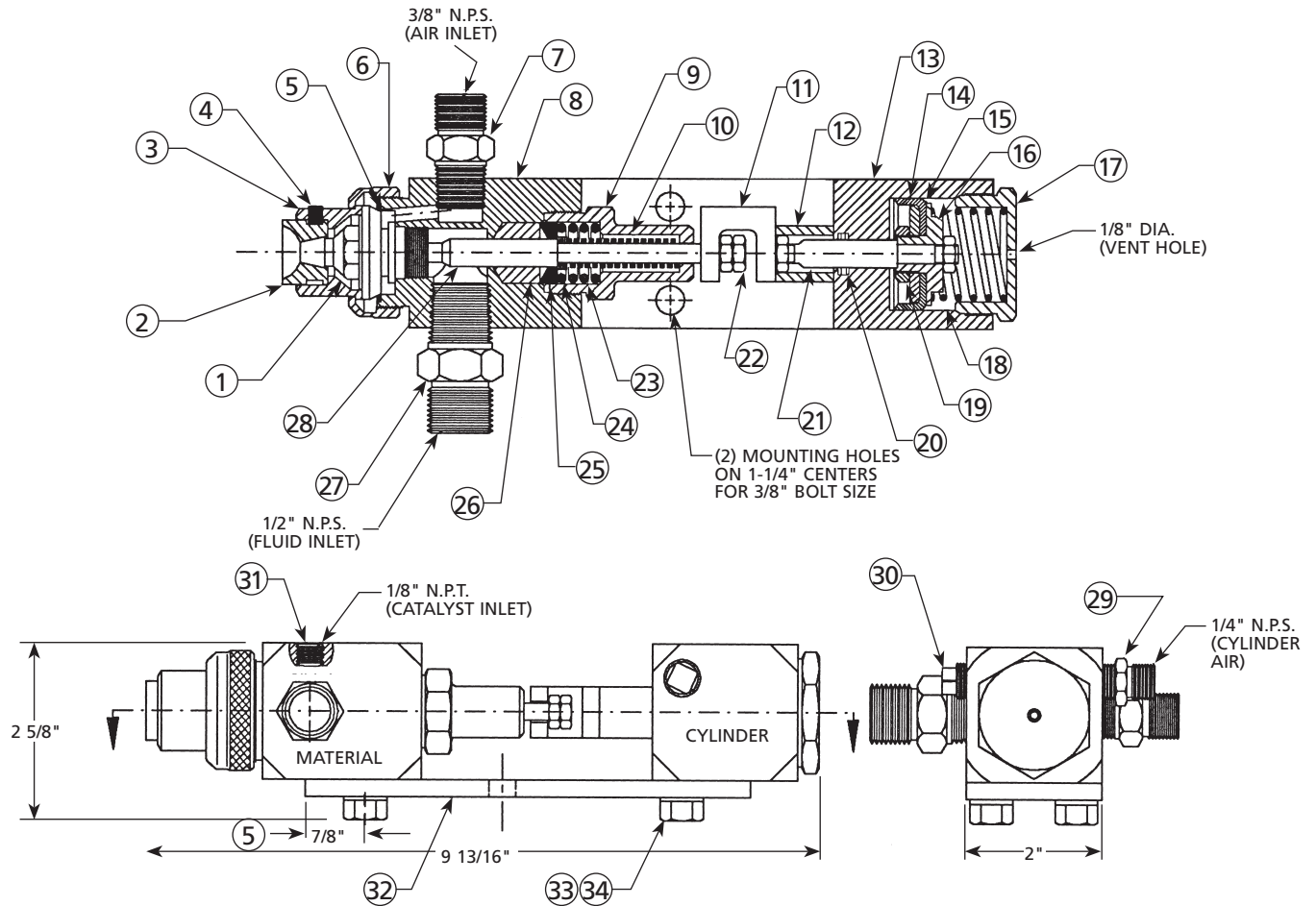


Binks Model 33SS AUTOMATIC GUN



FLUID NOZZLE		AIR NOZZLE NUMBER		AIR REQUIRED at 50 PSI (CFM)	PATTERN SHAPE	PATTERN WIDTH AT 8 IN. (INCHES)
NUMBER	ORIFICE SIZE (IN.)	CARBIDE	316SS			
46SS	0.312	190	390	11.5	FAN	9
46SS	0.312	191	391	9.0	FAN	11

PARTS LIST

ITEM	PART NO.	DESCRIPTION	QTY.	ITEM	PART NO.	DESCRIPTION	QTY.
1	45-4601	FLUID NOZZLE (46SS)	1	18	54-236*	SPRING	1
2	***	AIR NOZZLE TIP	1	19	54-232	NUT	1
3	54-511	BASE (AIR NOZZLE)	1	20	70-283*	"O" RING	1
4	20-2456*	SET SCREW	1	21	54-513	PISTON ROD	1
5	54-1246*	GASKET (FLUID NOZZLE)	1	22	20-614	HEX. NUT 1/4" - 20	4
6	54-864	RETAINER RING	1	23	41-191*	SPRING	1
7	83-574	D.M. NIPPLE	1	24	54-517	WASHER	1
8	54-508	HEAD (S.S.)	1	25	54-523	FOLLOWER	1
9	54-518	BODY	1	26	54-1609*	PACKING (PTFE)	1
10	54-516*	SPRING	1	27	41-1235	D.M. NIPPLE	1
11	54-519	YOKE	1	28	54-3262▲	NEEDLE VALVE (S.S.)	1
12	54-514	SLEEVE	1	28	54-3263◆	NEEDLE VALVE (S.S.)	1
13	54-509	PISTON BODY	1	29	83-576	D.M. NIPPLE	1
14	54-233	WASHER, PLUNGER	1	30	86-558	PLUG (SQ. HD. 1/4" NPT)	1
15	54-261*	PISTON CUP (LEATHER)	1	31	20-3111	PLUG (1/8" NPT)	1
16	54-314	PLUNGER BODY	1	32	54-510	MOUNTING PLATE	1
17	54-515	CAP	1	33	20-354	LOCKWASHER 3/8"	4
				34	20-1294	HEX. HD. CAP SCREW	4

***When ordering please specify No. stamped on nozzle.
▲Optional, for lighter viscosity fluids. ◆ Standard

*Part of Repair Kit 54-565.

In this part sheet, the words **WARNING**, **CAUTION** and **NOTE** are used to emphasize important safety information as follows:

⚠ WARNING
 Hazards or unsafe practices which could result in severe personal injury, death or substantial property damage.

⚠ CAUTION
 Hazards or unsafe practices which could result in minor personal injury, product or property damage.

NOTE
 Important installation, operation or maintenance information.

⚠ WARNING

Read the following warnings before using this equipment.



READ THE MANUAL
 Before operating finishing equipment, read and understand all safety, operation and maintenance information provided in the operation manual.



WEAR SAFETY GLASSES
 Failure to wear safety glasses with side shields could result in serious eye injury or blindness.



DE-ENERGIZE, DEPRESSURIZE, DISCONNECT AND LOCK OUT ALL POWER SOURCES DURING MAINTENANCE
 Failure to De-energize, disconnect and lock out all power supplies before performing equipment maintenance could cause serious injury or death.



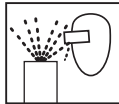
OPERATOR TRAINING
 All personnel must be trained before operating finishing equipment.



EQUIPMENT MISUSE HAZARD
 Equipment misuse can cause the equipment to rupture, malfunction, or start unexpectedly and result in serious injury.



KEEP EQUIPMENT GUARDS IN PLACE
 Do not operate the equipment if the safety devices have been removed.



PROJECTILE HAZARD
 You may be injured by venting liquids or gases that are released under pressure, or flying debris.



PINCH POINT HAZARD
 Moving parts can crush and cut. Pinch points are basically any areas where there are moving parts.



AUTOMATIC EQUIPMENT
 Automatic equipment may start suddenly without warning.



INSPECT THE EQUIPMENT DAILY
 Inspect the equipment for worn or broken parts on a daily basis. Do not operate the equipment if you are uncertain about its condition.



NEVER MODIFY THE EQUIPMENT
 Do not modify the equipment unless the manufacturer provides written approval.



KNOW WHERE AND HOW TO SHUT OFF THE EQUIPMENT IN CASE OF AN EMERGENCY



PRESSURE RELIEF PROCEDURE
 Always follow the pressure relief procedure in the equipment instruction manual.



NOISE HAZARD
 You may be injured by loud noise. Hearing protection may be required when using this equipment.



STATIC CHARGE
 Fluid may develop a static charge that must be dissipated through proper grounding of the equipment, objects to be sprayed and all other electrically conductive objects in the dispensing area. Improper grounding or sparks can cause a hazardous condition and result in fire, explosion or electric shock and other serious injury.



FIRE AND EXPLOSION HAZARD
 Never use 1,1,1-trichloroethane, methylene chloride, other halogenated hydrocarbon solvents or fluids containing such solvents in equipment with aluminum wetted parts. Such use could result in a serious chemical reaction, with the possibility of explosion. Consult your fluid suppliers to ensure that the fluids being used are compatible with aluminum parts.



TOXIC FLUID & FUMES
 Hazardous fluid or toxic fumes can cause serious injury or death if splashed in the eyes or on the skin, inhaled, injected or swallowed. LEARN and KNOW the specific hazards of the fluids you are using.



WEAR RESPIRATOR
 Toxic fumes can cause serious injury or death if inhaled. Wear a respirator as recommended by the fluid and solvent manufacturer's Material Safety Data Sheet.



PROP 65 WARNING
 WARNING: This product contains chemicals known to the State of California to cause cancer and birth defects or other reproductive harm.

IT IS THE RESPONSIBILITY OF THE EMPLOYER TO PROVIDE THIS INFORMATION TO THE OPERATOR OF THE EQUIPMENT.

FOR FURTHER SAFETY INFORMATION REGARDING BINKS AND DEVILBISS EQUIPMENT, SEE THE GENERAL EQUIPMENT SAFETY BOOKLET (77-5300).

WARRANTY

This product is covered by Binks' 1 Year Limited Warranty.

Binks Sales and Service: www.binks.com



U.S.A./Canada Customer Service
 195 Internationale Blvd.
 Glendale Heights, IL 60139
 630-237-5000

Toll Free Customer Service
 and Technical Support
 800-992-4657

Toll Free Fax
 888-246-5732

77-1441R-7 Revisions: (P1) PTFE reference update; (P2) Added Prop 65 warning, updated contact information.