

# PX1304 POGO PUMP ASSEMBLIES



<b>SPECIFICATIONS</b>		
	<b>PX1304-5</b>	<b>PX1304-8</b>
Ratio:	4:1	
Maximum air inlet pressure:	72.5 psi [5 bar]	116 psi [8 bar]
Maximum fluid pressure:	290 psi [20 bar]	500 psi [34.5 bar]
Displacement per cycle:	2.7 oz [81 CC]	
Theoretical Output @ 60 cycles/min:	1.3 gpm [4.9 l/m]	
Maximum recommended continuous cycle rate:	20 cycles/min. [40 strokes]	
Maximum recommended intermittent cycle rate:	40 cycles/min. [60 strokes]	
Maximum operating temperature:	160°F [71° C]	
Piston diameter:	3.3 in (85 mm)	
Nominal motor stroke:	3 in [75 mm]	
Air inlet connection:	3/8" NPS / BSPP (female)	
Outlet size:	1/2" NPT (female)	
Weight:	12.6 Lb [5.7 Kg]	

In this part sheet, the words **WARNING**, **CAUTION** and **NOTE** are used to emphasize important safety information as follows:

## **WARNING**

Hazards or unsafe practices which could result in severe personal injury, death or substantial property damage.

## **CAUTION**

Hazards or unsafe practices which could result in minor personal injury, product or property damage.

## **NOTE**

Important installation, operation or maintenance information.

## **WARNING**

### Read the following warnings before using this equipment.



#### **READ THE MANUAL**

Before operating finishing equipment, read and understand all safety, operation and maintenance information provided in the operation manual.



#### **WEAR SAFETY GLASSES**

Failure to wear safety glasses with side shields could result in serious eye injury or blindness.



#### **DE-ENERGIZE, DEPRESSURIZE, DISCONNECT AND LOCK OUT ALL POWER SOURCES DURING MAINTENANCE**

Failure to De-energize, disconnect and lock out all power supplies before performing equipment maintenance could cause serious injury or death.



#### **OPERATOR TRAINING**

All personnel must be trained before operating finishing equipment.



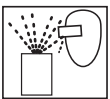
#### **EQUIPMENT MISUSE HAZARD**

Equipment misuse can cause the equipment to rupture, malfunction, or start unexpectedly and result in serious injury.



#### **KEEP EQUIPMENT GUARDS IN PLACE**

Do not operate the equipment if the safety devices have been removed.



#### **PROJECTILE HAZARD**

You may be injured by venting liquids or gases that are released under pressure, or flying debris.



#### **PINCH POINT HAZARD**

Moving parts can crush and cut. Pinch points are basically any areas where there are moving parts.



#### **PACEMAKER WARNING**

You are in the presence of magnetic fields which may interfere with the operation of certain pacemakers.



#### **AUTOMATIC EQUIPMENT**

Automatic equipment may start suddenly without warning.



#### **INSPECT THE EQUIPMENT DAILY**

Inspect the equipment for worn or broken parts on a daily basis. Do not operate the equipment if you are uncertain about its condition.



#### **NEVER MODIFY THE EQUIPMENT**

Do not modify the equipment unless the manufacturer provides written approval.



#### **KNOW WHERE AND HOW TO SHUT OFF THE EQUIPMENT IN CASE OF AN EMERGENCY**



#### **PRESSURE RELIEF PROCEDURE**

Always follow the pressure relief procedure in the equipment instruction manual.



#### **NOISE HAZARD**

You may be injured by loud noise. Hearing protection may be required when using this equipment.



#### **HIGH PRESSURE CONSIDERATION**

High pressure can cause serious injury. Relieve all pressure before servicing. Spray from the spray gun, hose leaks, or ruptured components can inject fluid into your body and cause extremely serious injury.



#### **STATIC CHARGE**

Fluid may develop a static charge that must be dissipated through proper grounding of the equipment, objects to be sprayed and all other electrically conductive objects in the dispensing area. Improper grounding or sparks can cause a hazardous condition and result in fire, explosion or electric shock and other serious injury.



#### **PROP 65 WARNING**

**WARNING:** This product contains chemicals known to the State of California to cause cancer and birth defects or other reproductive harm.

**IT IS THE RESPONSIBILITY OF THE EMPLOYER TO PROVIDE THIS INFORMATION TO THE OPERATOR OF THE EQUIPMENT. FOR FURTHER SAFETY INFORMATION REGARDING THIS EQUIPMENT, SEE THE GENERAL EQUIPMENT SAFETY BOOKLET (77-5300).**

Binks reserves the right to modify equipment specification without prior notice.

**⚠ WARNING**



**HIGH PRESSURE CAN CAUSE SERIOUS INJURY IF EQUIPMENT IS INSTALLED OR USED INCORRECTLY—  
READ, UNDERSTAND, AND OBSERVE ALL WARNINGS AND INSTRUCTIONS IN THIS MANUAL.**

**INSTALL, OPERATE OR SERVICE THIS EQUIPMENT ONLY AFTER  
ALL INSTRUCTIONS ARE CLEARLY UNDERSTOOD.**

**It is the responsibility of the employer to place this information into the hands of the operator.**

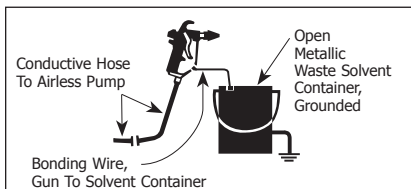
**⚠ WARNING**  
Hazards or unsafe practices which could result in severe personal injury, death or substantial property damage.

**⚠ CAUTION**  
Hazards or unsafe practices which could result in minor personal injury, product or property damage.

**NOTE**  
Important installation, operation or maintenance information.

**AVOID STATIC SPARKING**

1. Use Binks **NO-WIRE** conductive hose in all airless spraying operations. Be sure the gun and hose have continuity.
2. Make sure the pump is grounded. **NEVER** operate the unit when it is on a non-grounded platform.
3. When flushing or cleaning with a combustible solvent, always use an open metallic container for receiving the waste solvent. Ground the solvent receptacle.
4. **ALWAYS** remove spray tip when flushing the system. Operate the pump at the lowest possible pressure.



**GENERAL WARNINGS**

1. **NEVER** leave a pressurized sprayer unattended.
2. Periodically inspect all hoses for leaks and/or abrasions and tighten all connections before use. **DO NOT ATTEMPT TO REPAIR** a defective hose. **REPLACE** it with another conductive hose.
3. **ALWAYS** relieve pressure in the system by turning bypass valve to **BYPASS** or triggering spray gun before disassembly of any component parts.

**⚠ CAUTION**  
Never store de-ionized, distilled, reverse osmosis or any pure grade of water in the pump. These fluids may cause corrosion.


**NOTE**  
BINKS is not responsible for misapplication of pumps. Consult your BINKS representative for application assistance.

**NOTE**  
Be sure that all fluids, solvents and fillers to be used are chemically and physically compatible with wetted parts in the pump. Consult your BINKS representative for pump materials of constructions and compatibility information. Consult the fluid manufacture for information regarding the fluids to be used.

**REPLACEMENT PARTS**

The pump is designed to use authorized parts only. When using this pump with parts that do not comply with the minimum specifications and safety devices of Binks, the user assumes all risks and liabilities.

**⚠ WARNING**  
**EXCESSIVE AIR PRESSURE**  
Can cause personal injury, pump damage or property damage. Do not exceed maximum inlet air pressure as stated on motor model plate.

HAZARD	CAUSE	SAFEGUARDS
<p><b>EXPLOSION</b></p> 	<p>STATIC ELECTRICITY</p> <p>Use of this equipment in a potentially explosive atmosphere.</p> <p>Vapors from flammable liquids can catch fire or explode from static electricity discharges.</p>	<ol style="list-style-type: none"> <li>1. If installing this equipment in a potentially explosive atmosphere, check the ATEX equipment category and temperature ratings meet the requirements for the zoned area.</li> <li>2. Check electrical continuity of the air supply to earth — should be no greater than <math>10^6 \Omega</math>.</li> <li>3. Electrically bond all metallic equipment to earth. Should be no greater than <math>1 \Omega</math>.</li> </ol>
<p><b>SPECIAL CONDITIONS FOR SAFE USE REQUIRED BY ATEX CERTIFICATION</b></p>	<p>Over pressurization of equipment can cause equipment failure or injury.</p> <p>Use lubricating medium resistant to carburisation.</p> <p>Improper operation or maintenance may create a hazard.</p>	<ol style="list-style-type: none"> <li>1. Do not exceed the stated maximum working pressures and motor speed as specified in this manual.</li> <li>2. Only a suitably approved static dissipating or conductive air supply hoses shall be attached to the equipment and terminated to the air supply.</li> <li>3. Air supplies (compressors, etc.) shall be sited in a non-hazardous area with a filter on the air intake system to prevent the ingress of dust or similar foreign material into the parts where compression takes place.</li> <li>4. Use lubricating medium resistant to carburisation and has an auto ignition temperature of more than <math>185^\circ\text{C}</math> for T4 equipment.</li> <li>5. User shall ensure all metallic parts of the equipment are suitably bonded to earth. Should be no greater than <math>1 \Omega</math>.</li> </ol>

## PX1304 POGO PUMP ASSEMBLIES

### GROUNDING THE POGO PUMP

1. Clamp the grounding cable to the terminal on the high pressure filter or the air motor.
2. Connect the other end of the grounding cable to a suitable grounding device (e.g. grounding bar).

### WARNING

**To prevent static charging igniting the flammable spray material, the POGO pump must be grounded before it is started up. A grounding cable is included with the pump.**

### PREPARING TO START UP THE POGO PUMP

Proceed as follows:

1. Make sure that the ball valve on the air control assembly is closed.
2. Attach a suitable fluid hose to the fluid outlet of the Pogo pump.
3. Connect a gun — which is designed at least for the maximum permitted working pressure of the pump — to the pump outlet.
4. Connect the compressed air supply to the air inlet connection.
5. The pump should be used with an air pressure regulator, for best performance. Before putting the pressure line into operation, relieve the pressure regulator by fully unscrewing (counter-clockwise) the regulating screw. Thereafter rotate the regulating screw clockwise until the pressure gauge on the regulator indicates the required pressure.

### RINSING THE POGO PUMP

### WARNING

**Wear proper Personal Protection Equipment.**

Every POGO pump is tested with water during final inspection and thoroughly rinsed with a non-gumming preservative oil. With this rinsing process, it is possible that the residual moisture of water emulsion will be left in the pump.

Before the unit is started up for the first time, a suitable solvent must be used to thoroughly rinse out the remains of the preservative fluid and the unavoidable impurities introduced during equipment assembly.

### START-UP / OPERATION

1. Prepare the POGO pump for start-up as shown above and if necessary, rinse pump.
2. Insert the POGO pump into the material drum, and attach if necessary with bung adapter kit (41-28331).
3. Open the ball valve for the compressed air supply and use the pressure regulator to set the compressed air supply to 14.5 psi [1 bar]. The pump will begin to draw in the material, and build pressure.
4. By operating the gun trigger. The material will now flow through the POGO pump, the fluid hose and out of the gun nozzle.
5. Release the gun trigger and set the desired working pressure at the regulator.

### NOTE

**Before carrying out any coating work, we recommend a test spray (e.g. on to paper or wood). Only if the test gives you the desired result should you start to coat the actual object.**

### SHUT-DOWN

### CAUTION

**Once work is completed, the POGO pump must be thoroughly cleaned. Under no circumstances must you allow paint residue to dry out in the unit. To clean the pump, use a solvent appropriate to the spray material.**

1. Close the ball valve for the compressed air supply.
2. Point the gun into a catch container and operate the trigger to reduce any pressure which may still exist in the fluid hose and in the gun.

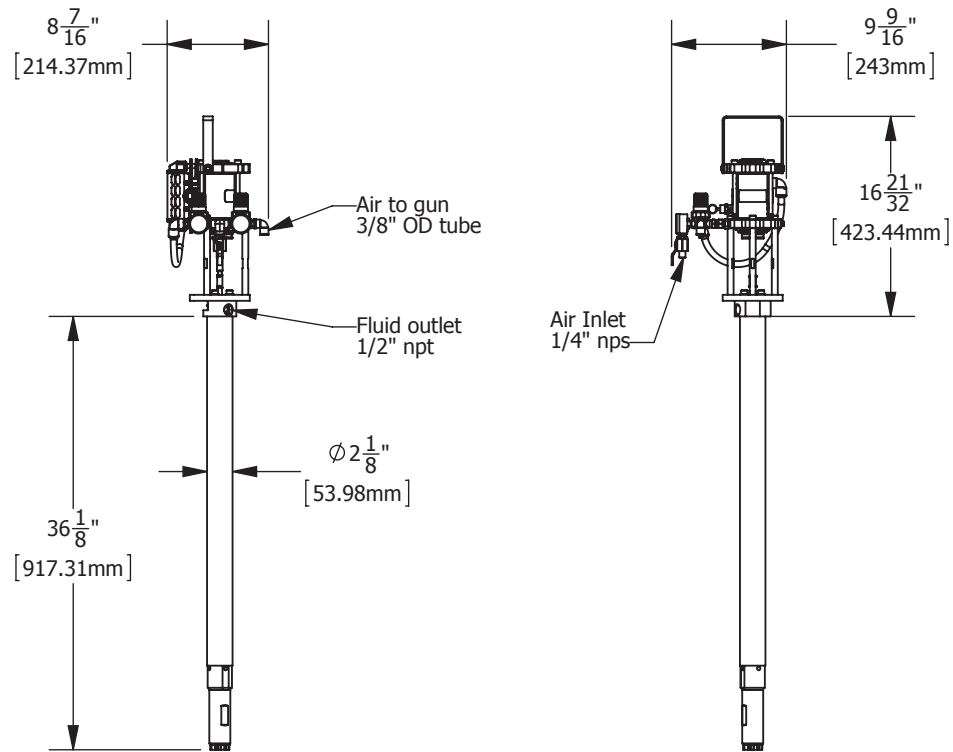
### CLEANING YOUR POGO PUMP

To keep your POGO pump in perfect operating condition, it should be cleaned at regular intervals. How often it should be cleaned depends on the type of materials being used, and how often the pump is used. We recommend keeping the pump filled with liquid, when not in use.

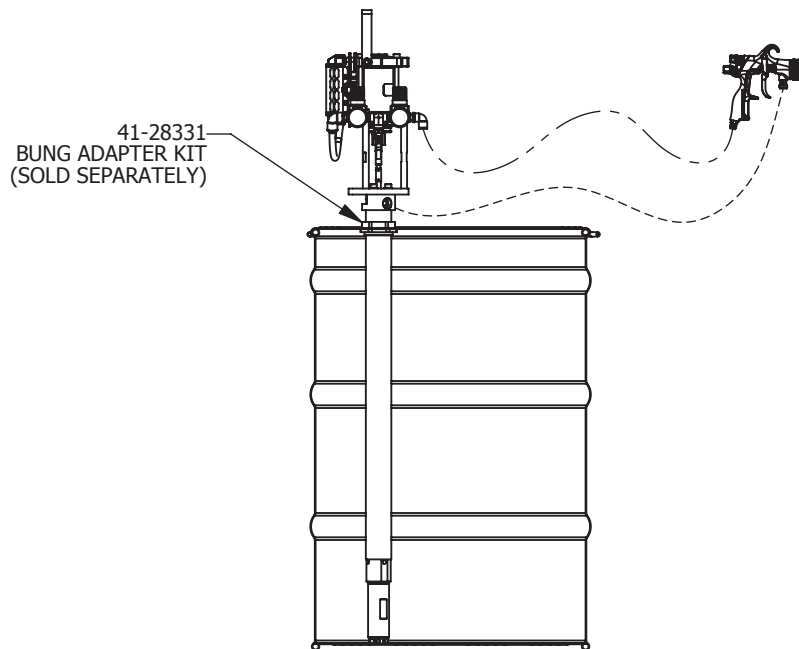
### NOTE

**If the pump is not to be used for longer periods of time, we recommend flushing the system with a light weight, silicone-free oil.**

**PX1304 POGO PUMP ASSEMBLIES – DIMENSIONS / INSTALLATION**

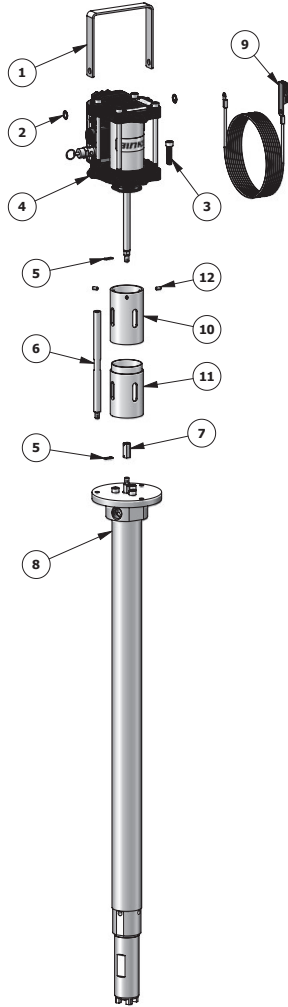


**TYPICAL DRUM INSTALLATION**



**PX1304 POGO PUMP ASSEMBLIES**

**NOTE**  
Please measure the overall length of item 6, Tie rod, to ensure the correct length.





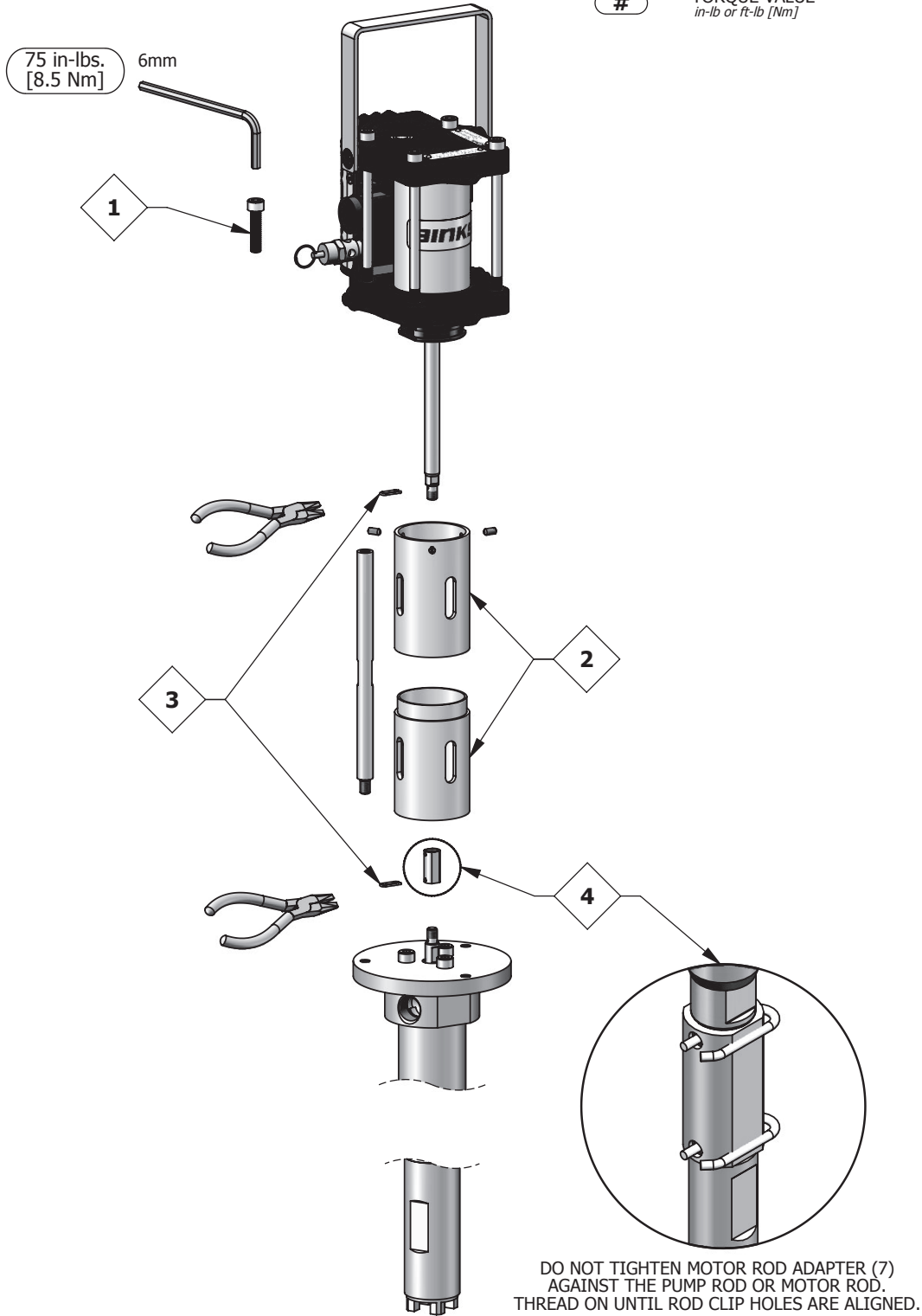
**PARTS LIST**

ITEM NO.	PART NUMBER	DESCRIPTION	PX1304-5P	PX1304-5U	PX1304-8U	PX1304-8P	SERVICE MANUAL
1	0114-014351	HANDLE	1	1	1	1	
2	0115-010272	RETAINING RING	2	2	2	2	
3	0115-010001	SOCKET HEAD CAP SCREW	3	3	3	3	
4	AX55S	AX55S AIR MOTOR (8 BAR)	-	-	1	1	77-2968
	AX55S-5	AX55S AIR MOTOR (5 BAR)	1	1	-	-	
5	0115-010099	ROD CLIP	2	2	2	2	
6	41-28326	TIE ROD (6" OAL)	3	3	3	3	
	41-28327	TIE ROD (8" OAL)	3	3	3	3	
7	41-28300	MOTOR ROD ADAPTER	1	1	1	1	
8	PFX13P	POGO FLUID SECTION (PTFE)	1	-	-	1	77-3039
	PFX13U	POGO FLUID SECTION (UHMW)	-	1	1	-	
9	0114-016243	GROUND WIRE KIT	1	1	1	1	
10	41-28347	UPPER GUARD	1	1	1	1	
11	41-28348	LOWER GUARD	1	1	1	1	
12	41-166001	SET SCREW	3	3	3	3	

# PFX13 FLUID PUMP DISASSEMBLY

**MAINTENANCE SYMBOLS:**

-  = MAINTENANCE ORDER  
*Reverse for assembly*
-  = TORQUE VALUE  
*in-lb or ft-lb [Nm]*

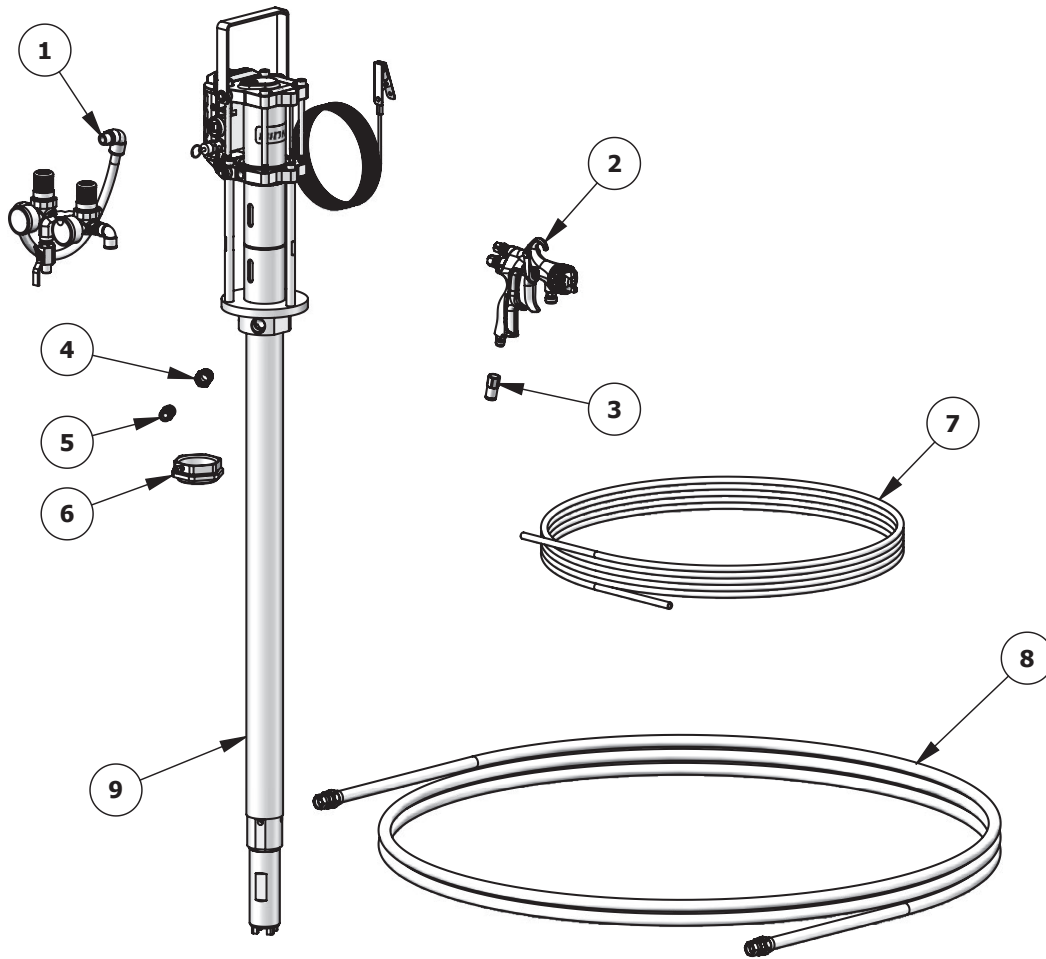




## POGO PUMP ASSEMBLIES – TROUBLESHOOTING

<b>PROBLEM</b>	<b>CAUSE</b>	<b>SOLUTION</b>
<b>Pump will not start</b>	No compressed air. Spray tip is blocked.	Check compressed air supply. Clean or replace the spray tip.
<b>Erratic operation of air motor, air motor stops</b>	Worn poppet assemblies. Worn or dirty spool and sleeve assembly.	Replace the poppet assemblies. Clean or replace the spool and sleeve assembly, as necessary.
<b>Continuous air leak from the exhaust</b>	Worn poppet assemblies. Worn piston seal. Worn diaphragm.	Replace poppet assemblies. Replace piston seal. Replace diaphragm.
<b>Pump does not stop on the down stroke</b>	Worn or dirty lower ball check.	Replace or clean the parts as necessary.
<b>Pump does not stop on the up stroke</b>	Worn or dirty upper ball check. Worn or dirty lower packings.	Replace or clean the parts as necessary.
<b>Pump runs erratically</b>	Blocked fluid inlet. Low material level.	Replace or clean the fluid inlet. Replace or refill material container.
<b>Pump runs, with no output</b>	Loose connection in fluid pump. Stuck lower ball.	Check that all connections are tight. Replace or clean the parts as necessary.

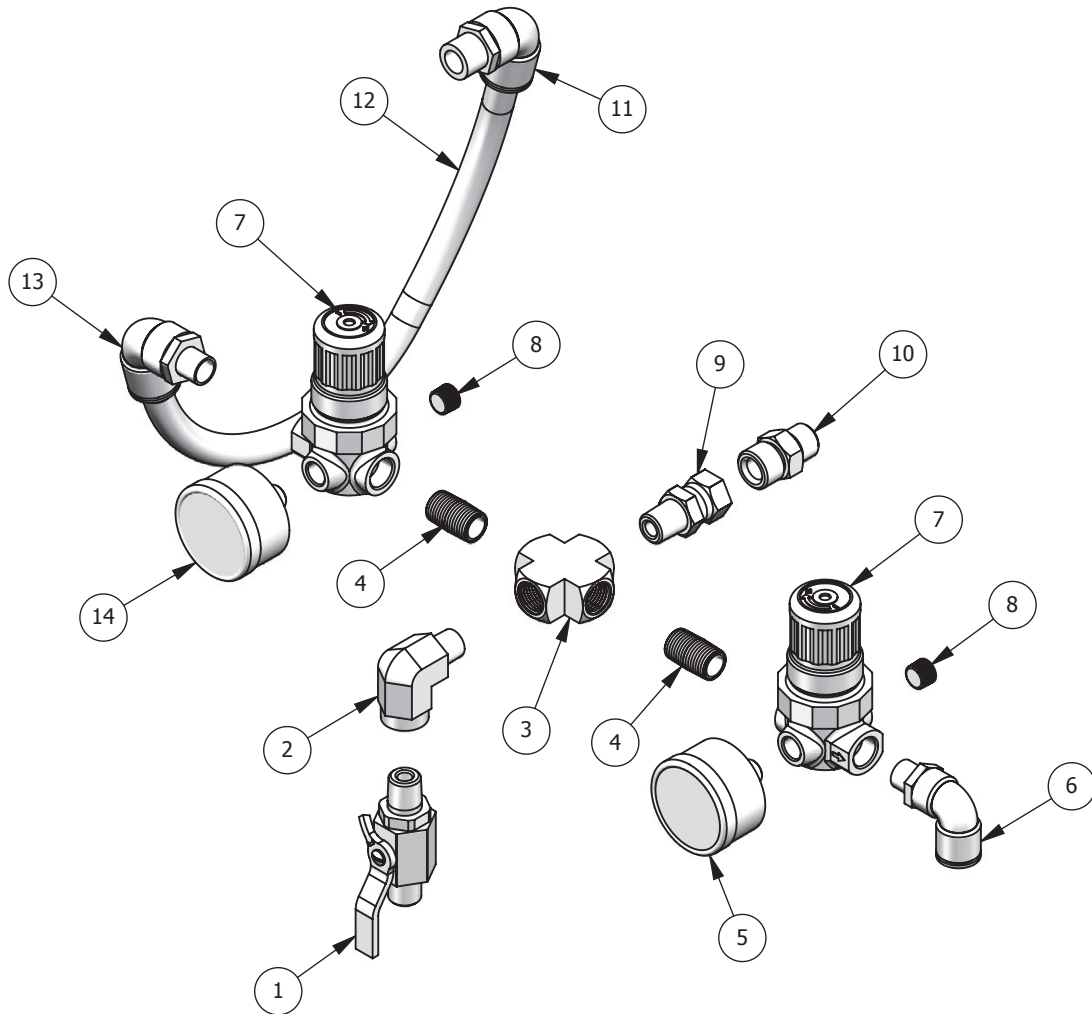
**POGO PUMP OUTFITS**



**PARTS LIST**

ITEM NO.	PART NUMBER	DESCRIPTION	98-3062	98-3063	SERVICE MANUAL
1	41-28272	AIR CONTROL ASSEMBLY	1	1	
2	2101-4308-2	2100 GUN (565 X 66SS X 66SD-3)	1	-	77-3046
	2465-18CN-11S0	TROPHY GUN (1.8mm X 11C)	-	1	77-3026
3	54-4976	TUBE CONNECTOR	1	1	
4	20-3815	BUSHING, S.S.	1	1	
5	83-2055	DM NIPPLE, S.S.	1	1	
6	41-28331	POGO BUNG ADAPTER KIT	1	1	
7	71-4803	AIR TUBING, 28 FT	1	1	
8	71-3303	FLUID HOSE ASSEMBLY, 25FT	1	1	
9	PX1304-5U	POGO PUMP ASSEMBLY (UHMW, 300 PSI)	1	1	

## 41-28272 AIR CONTROL ASSEMBLY



## PARTS LIST

ITEM NO.	PART NUMBER	DESCRIPTION	QTY
1	VA-542	BALL VALVE	1
2	SSP-1941-ZN	STREET ELBOW, 1/4" NPT	1
3	SSP-3301-NI	1/4" PIPE CROSS	1
4	20-4355-1	CLOSE NIPPLE 1/4"	2
5	59-369	PRESSURE GAUGE 0-60	1
6	85-521	PUSHLOCK SWIVEL ELBOW 3/8 OD TUBE X 1/4" NPT	1
7	HAR-503-2	MINI REGULATOR	2
8		1/8" PIPE PLUG (INCLUDED W/HAR-503-2)	2
9	20-4468	SWIVEL 1/4 NPT	1
10	0115-010157	MOUNTING STUD	1
11	85-516	PUSHLOCK SWIVEL ELBOW 1/2 OD TUBE X 3/8" NPT	1
12	71-4876	AIR TUBING, 15"	1
13	85-519	PUSHLOCK SWIVEL ELBOW 1/2 OD TUBE X 1/4" NPT	1
14	GA-338	PRESSURE GAUGE 0-160	1

## WARRANTY POLICY

Binks products are covered by Finishing Brands one year materials and workmanship limited warranty. The use of any parts or accessories, from a source other than Finishing Brands, will void all warranties. For specific warranty information please contact the closest Finishing Brands location listed below.

Finishing Brands reserves the right to modify equipment specifications without prior notice. DeVilbiss, Ransburg, BGK, and Binks are registered trademarks of Finishing Brands. ©2014 Finishing Brands. All rights reserved.



Binks is part of Finishing Brands, a global leader in innovative spray finishing technologies. For technical assistance or to locate an authorized distributor, contact one of our international sales and customer support locations below.

### USA/Canada

www.binks.com  
info@finishingbrands.com  
Tel: 1-800-992-4657  
Fax: 1-888-246-5732

### Mexico

www.finishingbrands.com.mx  
sales@finishingbrands.com.mx  
Tel: 011 52 55 5321 2300  
Fax: 011 52 55 5310 4790

### Brazil

www.devilbiss.com.br  
sales@devilbiss.com.br  
Tel: +55 11 5641 2776  
Fax: 55 11 5641 1256

### United Kingdom

www.finishingbrands.eu  
info@finishingbrands.eu  
Tel: +44 (0)1202 571 111  
Fax: +44 (0)1202 573 488

### France

www.finishingbrands.eu  
info@finishingbrands.eu  
Tel: +33(0)475 75 27 00  
Fax: +33(0)475 75 27 59

### Germany

www.finishingbrands.eu  
info@finishingbrands.eu  
Tel: +49 (0) 6074 403 1  
Fax: +49 (0) 6074 403 281

### China

www.finishingbrands.com.cn  
mkt@finishingbrands.com.cn  
Tel: +8621-3373 0108  
Fax: +8621-3373 0308

### Japan

www.ransburg.co.jp  
binks-devilbiss@ransburg.co.jp  
Tel: 081 45 785 6421  
Fax: 081 45 785 6517

### Australia

www.finishingbrands.com.au  
sales@finishingbrands.com.au  
Tel: +61 (0) 2 8525 7555  
Fax: +61 (0) 2 8525 7500



# CONJUNTOS DE BOMBA POGO PX1304



## ESPECIFICACIÓN

	PX1304-5	PX1304-5
Proporción:	4:1	
Presión de entrada de aire máxima:	72.5 psi [5 bar]	116 psi [8 bar]
Presión máxima del fluido:	290 psi [20 bar]	500 psi [34.5 bar]
Desplazamiento por ciclo:	2.7 oz [81 CC]	
Salida teórica @ 60 ciclos/min.:	1.3 gpm [4.9 l/m]	
Velocidad cíclica continua máxima:	20 ciclos/min. [40 carreras]	
Velocidad cíclica intermitente máxima recomendada:	40 ciclos/min. [60 carreras]	
Temperatura operativa máxima:	160°F [71°C]	
Diámetro del émbolo:	3.3 pulg. (85 mm)	
Carrera nominal del motor:	3 pulg. [75 mm]	
Conexión para entrada de aire:	3/8" NPS / BSPP (hembra)	
Tamaño del orificio de salida:	1/2" NPT (hembra)	
Peso:	12.6 lb [5.7 Kg]	

En esta hoja de piezas, las palabras **ADVERTENCIA**, **PRECAUCIÓN** y **NOTA** se emplean para enfatizar información de seguridad importante de la siguiente forma:

**⚠ ADVERTENCIA**  
Prácticas peligrosas o inseguras que pueden ocasionar lesiones personales graves, la muerte o daño substancial a la propiedad.

**⚠ PRECAUCIÓN**  
Prácticas peligrosas o inseguras que pueden ocasionar lesiones personales leves, daño al producto o a la propiedad.

**NOTA**  
Información importante de instalación, operación o mantenimiento.

**⚠ ADVERTENCIA**

**Lea las siguientes advertencias antes de usar este equipo.**



**LEA EL MANUAL**

Antes de operar los equipos de acabado, lea y comprenda toda la información de seguridad, operación y mantenimiento incluida en el manual de operaciones.



**USE GAFAS PROTECTORAS**

No usar gafas protectoras con resguardos laterales puede ocasionar lesiones graves en los ojos o ceguera.



**DESACTIVE, DESCONECTE Y BLOQUEE TODAS LAS FUENTES DE ENERGÍA DURANTE EL MANTENIMIENTO.**

No desactivar, desconectar ni bloquear todas las fuentes de suministro de energía antes de realizar operaciones de mantenimiento en los equipos puede ocasionar lesiones graves o la muerte.



**CAPACITACIÓN DE LOS OPERADORES**

Todos los miembros del personal deben ser capacitados antes de operar los equipos de acabado.



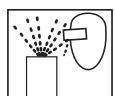
**PELIGRO DE USO INDEBIDO DEL EQUIPO**

El uso indebido del equipo puede ocasionar averías, mal funcionamiento o activación imprevista lo que a su vez puede producir lesiones graves.



**MANTENGA LAS DEFENSAS DEL EQUIPO EN SU LUGAR**

No operar los equipos si los dispositivos de seguridad fueron retirados.



**PELIGRO DE PROYECTILES**

Usted puede resultar lesionado por líquidos o gases liberados bajo presión o por desechos que vuelan.



**PELIGRO DE PUNTOS DE PRESIÓN**

Las partes móviles pueden aplastar y ocasionar cortaduras. Puntos de presión son básicamente todas las áreas donde haya partes móviles.



**ADVERTENCIA DE MARCAPASOS**

Usted está en la presencia de campos magnéticos los cuales pueden interferir con el funcionamiento de ciertos marcapasos.



**EQUIPOS AUTOMÁTICOS**

Los equipos automáticos pueden activarse súbitamente sin advertencia.



**INSPECCIONE LOS EQUIPOS DIARIAMENTE**

Inspeccione los equipos diariamente para verificar que no tengan piezas gastadas o rotas. No opere los equipos si no está seguro de la condición de los mismos.



**NUNCA MODIFIQUE EL EQUIPO**

No modifique el equipo sin la autorización escrita del fabricante.



**SEPA CÓMO Y DÓNDE DESACTIVAR LOS EQUIPOS EN CASO DE EMERGENCIA.**



**PROCEDIMIENTO DE LIBERACIÓN DE PRESIÓN**

Siga siempre el procedimiento de liberación de presión que aparece en el manual de instrucciones del equipo.



**PELIGRO DE RUIDO**

Usted puede resultar lesionado por el ruido muy fuerte. Podría necesitar protección de los oídos al usar este equipo.



**CONSIDERACIONES DE ALTA PRESIÓN**

La alta presión puede ocasionar lesiones graves. Antes de reparar o dar mantenimiento a los equipos, alivie toda la presión. El atomizado de la pistola pulverizadora, las filtraciones de la manguera o componentes averiados pueden inyectar fluido en su organismo y ocasionar lesiones sumamente graves.



**CARGA ESTÁTICA**

Los fluidos pueden generar una carga estática que debe ser disipada mediante la debida conexión a tierra del equipo, los objetos que van a ser atomizados y todos los demás objetos electroconductores en el área de aplicación. La conexión a tierra indebida o las chispas pueden ocasionar condiciones de peligro y producir incendios, explosiones o descargas eléctricas y otras lesiones graves.



**ADVERTENCIA DE PROP 65**

ADVERTENCIA: Este producto contiene sustancias químicas que según información en poder del Estado de California producen cáncer, defectos de nacimiento y otros daños al sistema reproductor.

**ES RESPONSABILIDAD DEL EMPLEADOR SUMINISTRAR ESTA INFORMACIÓN AL OPERADOR DEL EQUIPO. PARA MÁS INFORMACIÓN DE SEGURIDAD ACERCA DE LOS EQUIPOS, CONSULTE EL FOLLETO DE SEGURIDAD GENERAL DE LOS EQUIPOS (77-5300).**

Binks se reserva el derecho a modificar las especificaciones del equipo sin previo aviso.

## ⚠️ ADVERTENCIA



LA ALTA PRESIÓN PUEDE OCASIONAR LESIONES GRAVES SI EL EQUIPO SE INSTALA O USA INCORRECTAMENTE — LEA, COMPRENDA Y CUMPLA TODAS LAS ADVERTENCIAS E INSTRUCCIONES CONTENIDAS EN ESTE MANUAL.

**INSTALE, OPERE O REPARE Y DÉ MANTENIMIENTO A ESTE EQUIPO SÓLO DESPUÉS DE HABER COMPRENDIDO CLARAMENTE TODAS LAS INSTRUCCIONES.**

Es responsabilidad del empleador poner esta información en manos del operador.

### ⚠️ ADVERTENCIA

Prácticas peligrosas o inseguras que pueden ocasionar lesiones personales graves, la muerte o daño substancial a la propiedad.

### ⚠️ PRECAUCIÓN

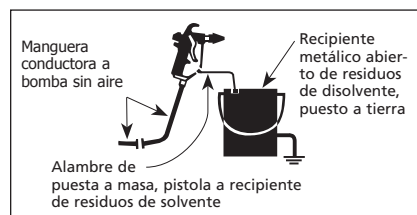
Prácticas peligrosas o inseguras que pueden ocasionar lesiones personales leves, la muerte, daño al producto o a la propiedad.

### NOTA

Información importante de instalación, operación o mantenimiento.

### EVITE LAS DESCARGAS ESTÁTICAS

1. Use la manguera conductora **INALÁMBRICA** de Binks en todas las operaciones de atomización sin aire. Asegúrese de que la pistola y la manguera tengan continuidad.
2. Asegúrese de que la bomba esté puesta a tierra. **NUNCA** opere la unidad cuando esté en una plataforma sin puesta a tierra.
3. Al purgar o limpiar con un solvente combustible, use siempre un recipiente metálico abierto para recibir los residuos del solvente. Ponga a tierra el receptáculo del solvente.
4. **SIEMPRE** quite la punta pulverizadora al purgar el sistema. Opere la bomba con la presión más baja posible.



### ADVERTENCIAS GENERALES

1. **NUNCA** deje una pulverizadora presionizada desatendida
2. Periódicamente inspeccione todas las mangueras para verificar que no tengan filtraciones y/o abrasiones y apriete todas las conexiones antes de usar el producto. **NO TRATE DE REPARAR** una manguera defectuosa. **REEMPLÁCELA** con otra manguera conductora.
3. **SIEMPRE** alivie la presión del sistema poniendo la válvula de desviación en **BYPASS** o activando la pistola pulverizadora antes de desensamblar cualquier componente.

### ⚠️ PRECAUCIÓN

Nunca guarde en la bomba agua desionizada, destilada, desalinizada por ósmosis inversa o de grado puro. Estos fluidos pueden causar corrosión.

### NOTA

BINKS no es responsable por la aplicación indebida de las bombas. Para asistencia con la aplicación, consulte con su representante de BINKS.

### NOTA


Asegúrese de que todos los fluidos, solventes y sustancias para rellenar que se van a utilizar, sean compatibles química y físicamente con las piezas humedecidas de la bomba. Consulte con su representante de BINKS para obtener información acerca de los materiales de construcción de la bomba y compatibilidad. Consulte con el fabricante de fluidos para obtener información acerca de los fluidos que se van a usar.

### REFACCIONES

La bomba está diseñada para utilizar piezas autorizadas únicamente. Al utilizar esta bomba con piezas que no cumplen con las especificaciones mínimas ni con los dispositivos de seguridad de Binks, el usuario asume todos los riesgos y responsabilidades.

### ⚠️ ADVERTENCIA

**PRESIÓN DE AIRE EXCESIVA**  
Puede ocasionar lesiones personales, daño a la bomba o daño a la propiedad. No sobrepase la presión del aire de entrada máxima indicada en la placa del modelo del motor.

<b>PELIGRO</b>	<b>CAUSA</b>	<b>MEDIDAS PREVENTIVAS</b>
<p><b>EXPLOSIÓN</b></p> 	<p>ELECTRICIDAD ESTÁTICA</p> <p>Uso de este equipo en una atmósfera potencialmente explosiva.</p> <p>Los vapores provenientes de líquidos inflamables pueden prender fuego o explotar debido a descargas de electricidad estática.</p>	<ol style="list-style-type: none"> <li>1. Si se instala este equipo en una atmósfera potencialmente explosiva, verifique que la categoría ATEX (Atmósfera Explosiva) del equipo y los regímenes de temperatura cumplan con los requisitos para el área zonificada.</li> <li>2. Verifique la continuidad eléctrica del suministro de aire a tierra—sno debe ser mayor que 106 V.</li> <li>3. Conecte eléctricamente a tierra todos los equipos metálicos. No debe ser mayor que 1 V.</li> </ol>
<p><b>CONDICIONES ESPECIALES PARA EL USO SEGURO REQUERIDAS POR LA CERTIFICACIÓN ATEX</b></p>	<p>La presurización excesiva del equipo puede ocasionar la falla del equipo o una lesión.</p> <p>Use un medio de lubricación resistente a la carburación.</p> <p>La operación o mantenimiento indebidos pueden crear un peligro.</p>	<ol style="list-style-type: none"> <li>1. No sobrepase las presiones de trabajo máximas ni la velocidad del motor especificadas en este manual.</li> <li>2. Sólo se deben fijar al equipo mangueras disipadoras de electricidad estáticas o conductoras de suministro de aire conectadas a la impedancia terminal del suministro de aire.</li> <li>3. Los suministros de aire (compresores, etc.) se deben colocar en un área no peligrosa con un filtro en el sistema de entrada de aire para evitar el ingreso de polvo o materias foráneas similares en las piezas donde ocurre la compresión.</li> <li>4. Use un medio de lubricación resistente a la carburación y con una temperatura de auto ignición de más de 185°C (365°F) para equipos T4.</li> <li>5. El usuario debe asegurarse de que todas las piezas metálicas del equipo estén debidamente conectadas eléctricamente a tierra. No debe ser mayor que 1 V.</li> </ol>



## CONJUNTOS DE BOMBA POGO PX1304

### CÓMO PONER A TIERRA LA BOMBA POGO

1. Sujete el cable de puesta a tierra al terminal en el filtro de alta presión o en el motor de aire.
2. Conecte el otro extremo del cable de puesta a tierra a un dispositivo de conexión a tierra adecuado (por ej., una barra de puesta a tierra).

### ADVERTENCIA

**Para evitar que la carga estática prenda fuego al material de atomizado inflamable, la bomba POGO se debe conectar a tierra antes de ponerse en marcha. Con la bomba se incluye un cable de puesta a tierra.**

### CÓMO PREPARARSE PARA PONER EN MARCHA LA BOMBA POGO

Proceda de la siguiente forma:

1. Asegúrese de que la válvula esférica en el conjunto del control de aire esté cerrada.
2. Fije una manguera de fluido adecuada al accesorio de salida de fluido de la bomba Pogo.
3. Conecte una pistola —que está diseñada al menos para la presión de trabajo máxima permitida de la bomba— al accesorio de salida de la bomba.
4. Conecte el suministro de aire comprimido en la conexión de entrada de aire.
5. La bomba debe usarse con un regulador de presión de aire para el mejor rendimiento funcional. Antes de poner en funcionamiento la línea de presión, alivie el regulador de presión desatornillando completamente (en sentido antihorario) el tornillo regulador. Posteriormente, haga girar el tornillo regulador en sentido horario hasta que el manómetro en el regulador indique la presión requerida.

### CÓMO ENJUAGAR LA BOMBA POGO

### ADVERTENCIA

**Use el equipo de protección personal adecuado.**

Cada bomba POGO es sometida a prueba con agua durante la inspección final y enjuagada a fondo con aceite preservante no viscoso. Con el proceso de enjuague, es posible que la humedad residual de la emulsión acuosa quede en la bomba.

Antes de poner en marcha la unidad por primera vez, se debe usar un solvente adecuado para enjuagar a fondo los restos del líquido preservante y las impurezas inevitables que se introducen durante el montaje del equipo.

### INICIO / OPERACIÓN

1. Prepare la bomba POGO para ponerla en marcha como se indicó anteriormente y si fuese necesario, enjuague la bomba.
2. Inserte la bomba POGO en el tambor de material y, en caso necesario, fíjela con el kit del adaptador de tapón (41-28331).
3. Abra la válvula esférica para el suministro de aire comprimido y use el regulador de presión para fijar el suministro de aire comprimido en 14.5 psi [1 bar]. La bomba comenzará a aspirar el material y aumentar la presión.
4. Al hacer funcionar el disparador de la pistola. El material fluirá ahora a través de la bomba POGO, la manguera de fluido y saldrá por la boquilla de la pistola.
5. Suelte el disparador de la pistola y fije la presión de trabajo deseada en el regulador.

### NOTA

**Antes de iniciar cualquier trabajo de recubrimiento, recomendamos una prueba de atomizado (por ej., sobre papel o madera). Únicamente si los resultados de la prueba son los deseados debe usted comenzar a recubrir el objeto real.**

### APAGADO

### PRECAUCIÓN

**Una vez completado el trabajo, la bomba POGO se debe limpiar a fondo. Bajo ninguna circunstancia debe permitir que los residuos de pintura se sequen en la unidad. Para limpiar la bomba, use un solvente adecuado para el material de atomizado.**

1. Cierre la válvula esférica para el suministro de aire comprimido.
2. Dirija la pistola hacia un recipiente colector y active el disparador para reducir cualquier presión que pueda haber quedado en la manguera de fluido y en la pistola.

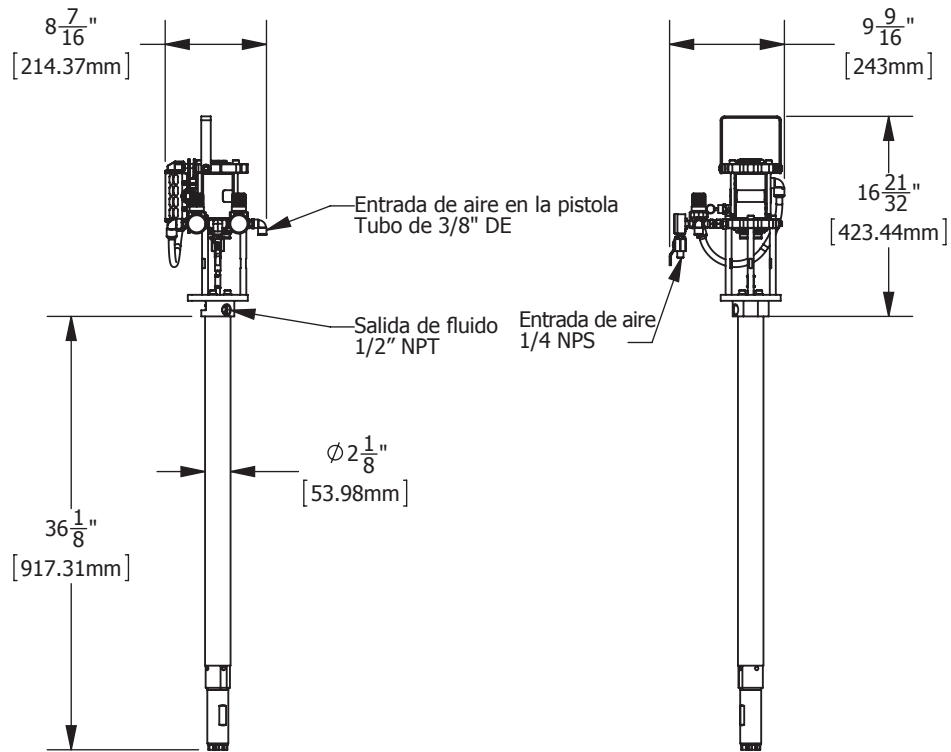
### CÓMO LIMPIAR SU BOMBA POGO

Para mantener la bomba POGO en perfectas condiciones de funcionamiento, se debe limpiar a intervalos regulares. Cada cuánto tiempo debe limpiarse depende del tipo de materiales usados y la frecuencia con que se usa la bomba. Recomendamos mantener la bomba llena de líquido cuando no se use.

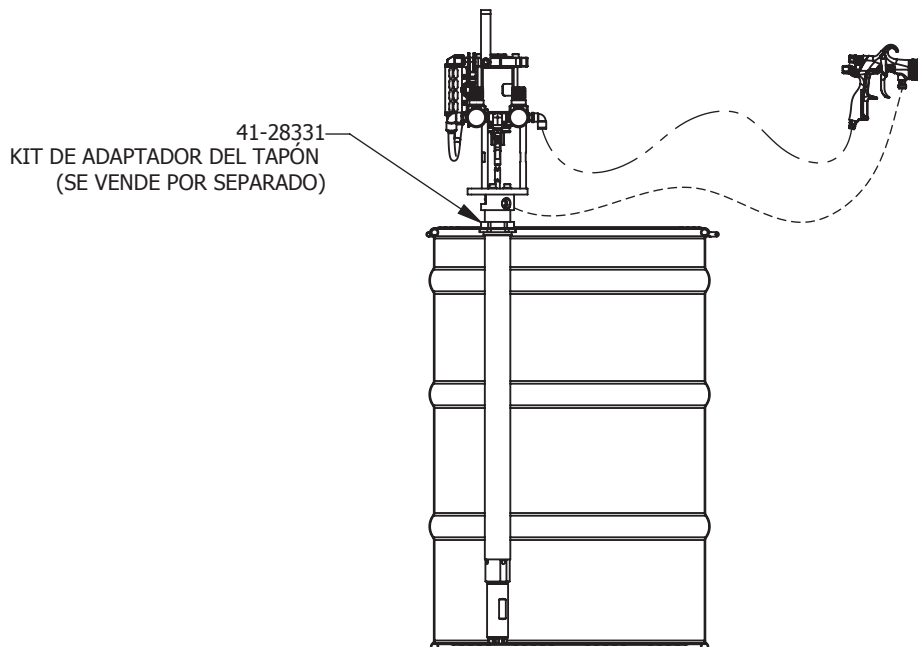
### NOTA

**Si no se va a usar la bomba por períodos prolongados, recomendamos purgar el sistema con un aceite liviano, sin silicona.**

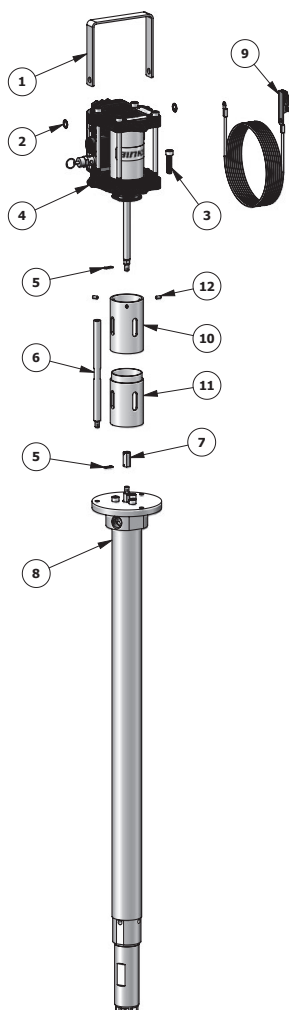
**CONJUNTOS DE BOMBA POGO PX1304 – DIMENSIONES / INSTALACIÓN**



**INSTALACIÓN TÍPICA DEL TAMBOR:**



## CONJUNTOS DE BOMBA POGO PX1304



### NOTA

Por favor, mida la longitud completa del artículo 6, barra de acoplamiento, para asegurar el largo correcto.

### LISTA DE PIEZAS

NÚM. DE ART.	NÚM. DE PIEZA	DESCRIPCIÓN	PX1304-5P	PX1304-5U	PX1304-8U	PX1304-8P	MANUAL DE SERVICIO
1	0114-014351	ASA	1	1	1	1	
2	0115-010272	ARO DE RETENCIÓN	2	2	2	2	
3	0115-010001	TORNILLO DE CABEZA ENCASTRADA	3	3	3	3	
4	AX55S	AX55S MOTOR DE AIRE (8 BAR)	-	-	1	1	77-2968
	AX55S-5	AX55S MOTOR DE AIRE (5 BAR)	1	1	-	-	
5	0115-010099	SUJETADOR DE VARILLA	2	2	2	2	
6	41-28326	BARRA DE ACOPLAMIENTO (6" OAL)	3	3	3	3	
	41-28327	BARRA DE ACOPLAMIENTO (8" OAL)	3	3	3	3	
7	41-28300	ADAPTADOR DEL VÁSTAGO DEL MOTOR	1	1	1	1	
8	PFX13P	SECCIÓN DE FLUIDO POGO (PTFE)	1	-	-	1	77-3039
	PFX13U	SECCIÓN DE FLUIDO POGO (UHMW)	-	1	1	-	
9	0114-016243	KIT DE CABLE DE PUESTA A TIERRA	1	1	1	1	
10	41-28347	GUARDIA SUPERIOR	1	1	1	1	
11	41-28348	GUARDIA MENOR	1	1	1	1	
12	41-166001	TORNILLO DE FIJACIÓN	3	3	3	3	

DESMONTAJE DE LA BOMBA DE FLUIDO PFX13

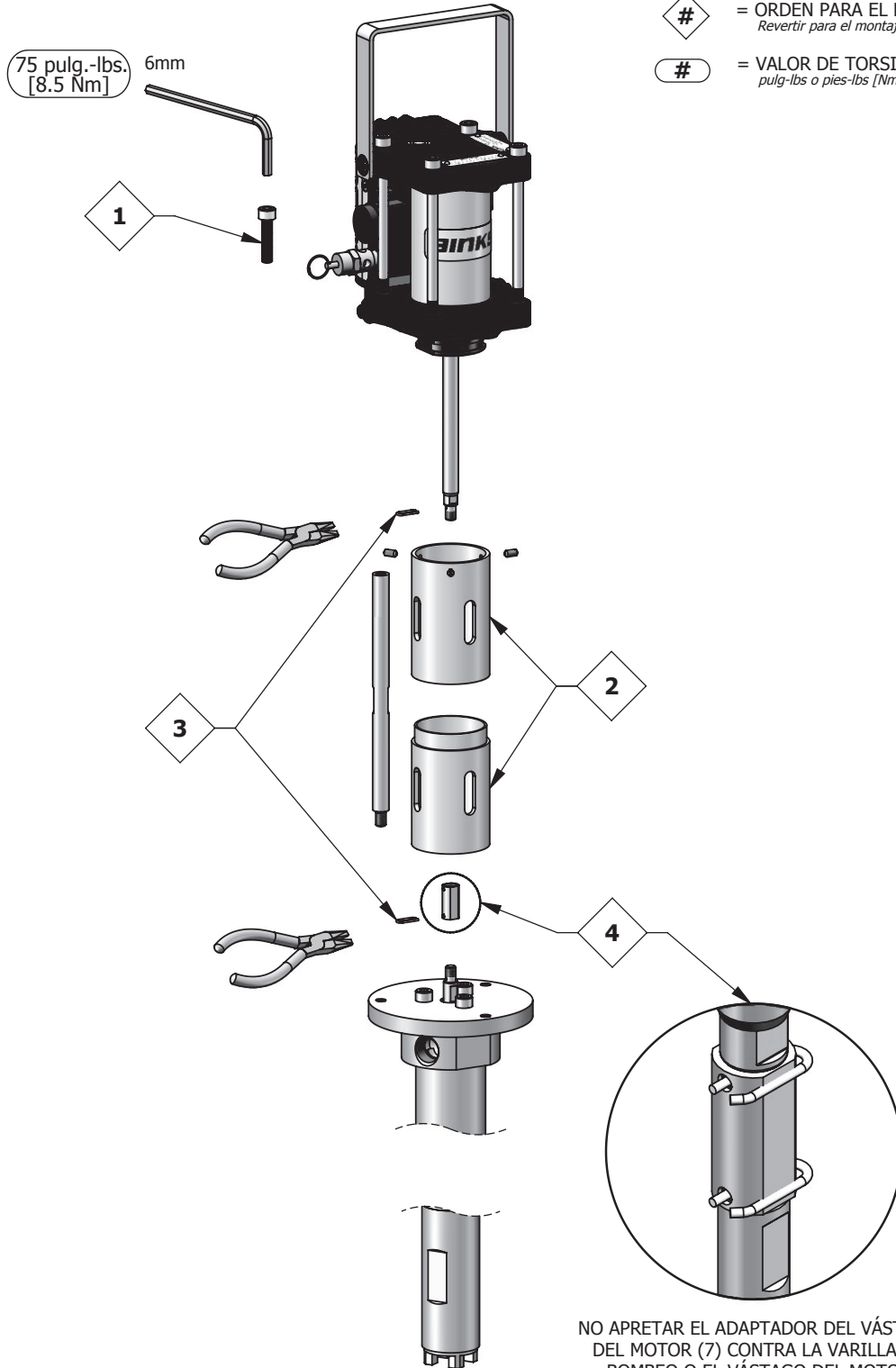
**SÍMBOLOS DE MANTENIMIENTO:**



= ORDEN PARA EL MANTENIMIENTO  
*Revertir para el montaje*



= VALOR DE TORSIÓN  
*pulg.-lbs o pies.-lbs [Nm]*

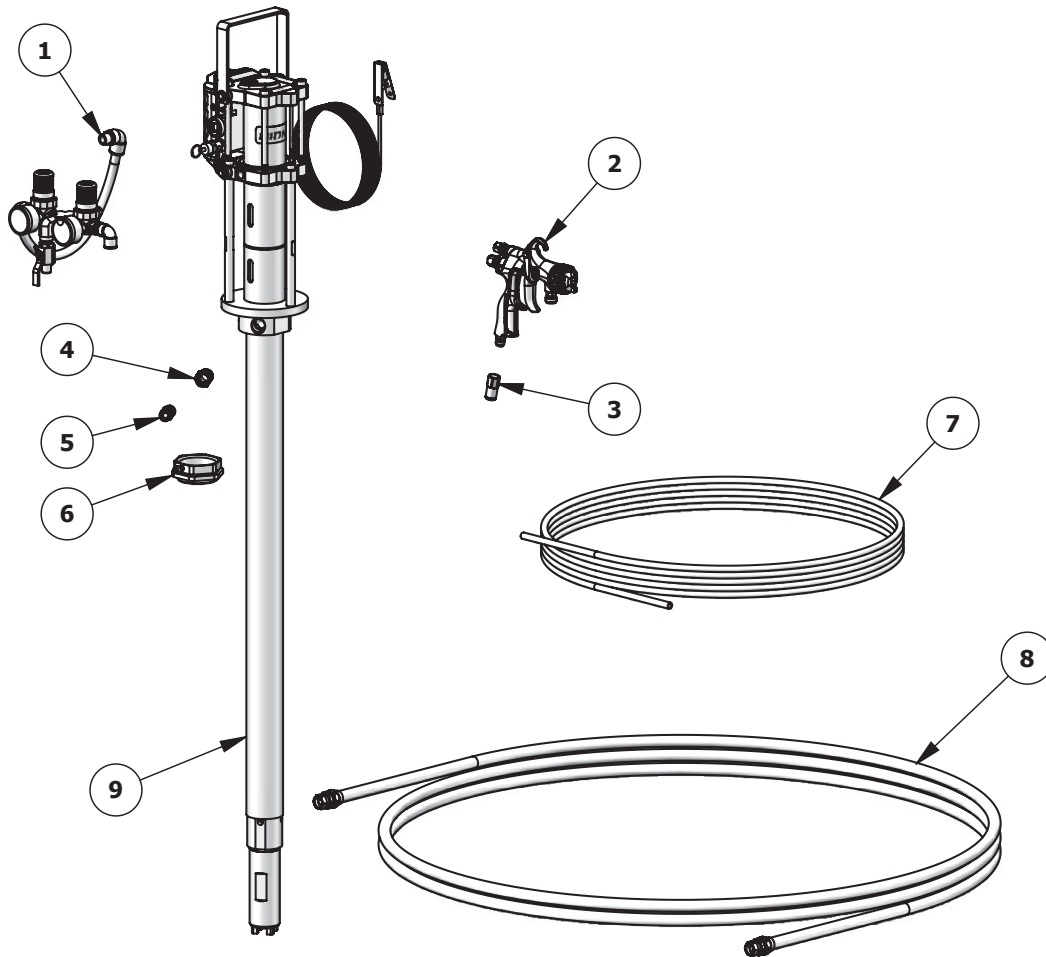


NO APRETAR EL ADAPTADOR DEL VÁSTAGO DEL MOTOR (7) CONTRA LA VARILLA DE BOMBEO O EL VÁSTAGO DEL MOTOR. ROSCAR HASTA QUE LOS AGUJEROS DEL SUJETADOR DE VARILLA ESTÉN ALINEADOS.

**"POGO" CONJUNTOS DE BOMBA – LOCALIZACIÓN Y REPARACIÓN DE AVERÍAS**

<b>PROBLEMA</b>	<b>CAUSA</b>	<b>SOLUCIÓN</b>
<b>La bomba no arranca.</b>	Falta de aire comprimido. Punta rociadora bloqueada.	Revise el suministro de aire comprimido. Limpie o cambie la punta rociadora.
<b>Operación irregular del motor de aire, el motor de aire se detiene</b>	Unidades del soporte cónico gastadas. Unidad de bobina y manguito gastada o sucia.	Reemplace las unidades del soporte cónico. Limpie o reemplace la unidad de bobina y manguito, si fuese necesario.
<b>Escape de aire continuo del tubo de exhaustación</b>	Unidades del soporte cónico gastadas. Sello del émbolo gastado. Diafragma gastado.	Reemplace las unidades del soporte cónico. Reemplace el sello del émbolo. Reemplace el diafragma.
<b>La bomba no se detiene en el recorrido de descenso</b>	Bola indicadora inferior gastada o sucia.	Limpie o cambie las piezas si fuese necesario.
<b>La bomba no se detiene en el recorrido de ascenso</b>	Bola indicadora superior gastada o sucia. Empaques inferiores gastados o sucios.	Limpie o cambie las piezas si fuese necesario.
<b>La bomba funciona irregularmente</b>	Entrada de fluido bloqueado. Nivel bajo de material.	Reemplace o limpie entrada de fluido. Reemplace o rellene el recipiente de material.
<b>La bomba funciona, pero no hay salida</b>	Conexión floja entre la bomba de fluido.  Bola inferior atascada.	Revise que todas las conexiones estén bien apretadas.  Limpie o cambie las piezas si fuese necesario.

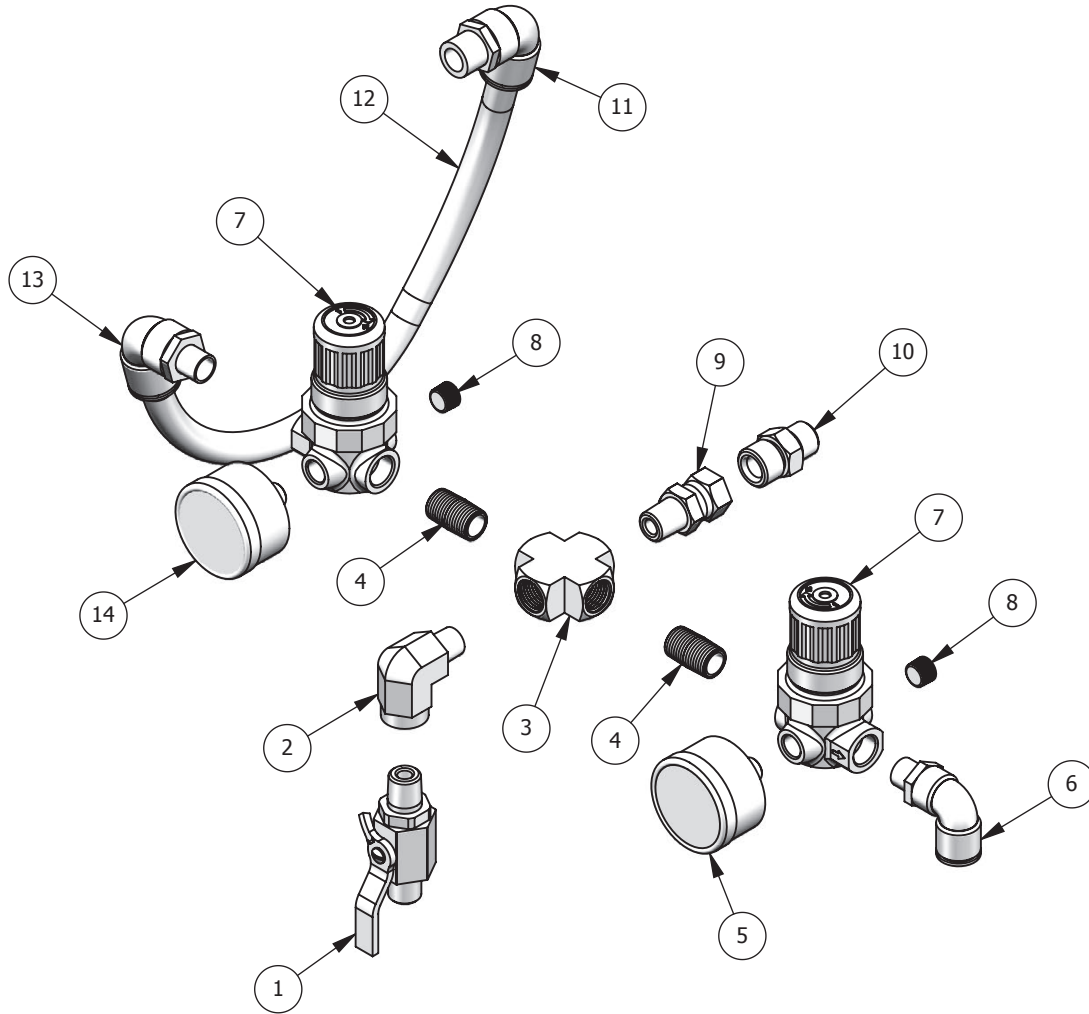
EQUIPOS PARA LA BOMBA POGO



LISTA DE PIEZAS

NÚM. DE ART.	NÚM. DE PIEZA	DESCRIPCIÓN	98-3062	98-3063	MANUAL DE SERVICIO
1	41-28272	CONJUNTO DEL CONTROL DE AIRE	1	1	
2	2101-4308-2	PISTOLA 2100 (565 X 66SS X 66SD-3)	1	-	77-3046
	2465-18CN-11S0	PISTOLA SERIE "TROPHY" (1.8 mm X 11 C)	-	1	77-3026
3	54-4976	CONECTOR DE TUBO	1	1	
4	20-3815	MANGUITO, ACERO INOXIDABLE	1	1	
5	83-2055	BOQUILLA DM, ACERO INOXIDABLE	1	1	
6	41-28331	KIT DE ADAPTADOR DEL TAPÓN, POGO	1	1	
7	71-4803	TUBO DE AIRE, 28 PIES	1	1	
8	71-3303	CONJUNTO DE LA MANGUERA DE FLUIDO, 25 PIES	1	1	
9	PX1304-5U	CONJUNTO DE BOMBA POGO (UHMW, 300 PSI)	1	1	

**CONJUNTO DEL CONTROL DE AIRE 41-28272**



**LISTA DE PIEZAS**

NÚM. DE ART.	NÚM. DE PIEZA	DESCRIPCIÓN	CANT.
1	VA-542	VÁLVULA ESFÉRICA	1
2	SSP-1941-ZN	CODO MACHO Y HEMBRA, 1/4" NPT	1
3	SSP-3301-NI	UNIÓN CRUZ, 1/4"	1
4	20-4355-1	BOQUILLA DE ROSCA CORRIDA, 1/4"	2
5	59-369	MANÓMETRO 0-60	1
6	85-521	CODO GIRATORIO DE APRIETE, TUBO 3/8" DE X 1/4" NPT	1
7	HAR-503-2	MINI REGULADOR	2
8		TAPÓN DE TUBO, 1/8" (INCLUIDO C/HAR-503-2)	2
9	20-4468	ARTICULACIÓN GIRATORIA, 1/4" NPT	1
10	0115-010157	PERNO DE MONTAJE	1
11	85-516	CODO GIRATORIO DE APRIETE, TUBO 1/2" DE X 3/8" NPT	1
12	71-4876	TUBO DE AIRE, 15"	1
13	85-519	CODO GIRATORIO DE APRIETE, TUBO 1/2" DE X 1/4" NPT	1
14	GA-338	MANÓMETRO 0-160	1

**POLÍTICA DE GARANTÍAS**

Los productos Binks están cubiertos por la garantía limitada de materiales y mano de obra por cinco años de Finishing Brands. El uso de cualquier pieza o accesorio de una fuente que no sea Finishing Brands, anulará todas las garantías. Para obtener información específica sobre la garantía, favor ponerse en contacto con el local de Finishing Brands más cercano a usted entre los listados a continuación.

Finishing Brands se reserva el derecho de modificar las especificaciones del equipo sin previo aviso. DeVilbiss, Ransburg, BGK y Binks son marcas registradas de Finishing Brands. ©2014 Finishing Brands. Reservados todos los derechos.



Binks es parte de Finishing Brands, un líder global en tecnologías de acabados pulverizados innovadores. Para asistencia técnica o para localizar un distribuidor autorizado, póngase en contacto con uno de nuestros centros internacionales de ventas y apoyo al cliente listados a continuación.

**EE.UU./Canadá**

www.binks.com  
 info@finishingbrands.com  
 Teléfono: 1-800-992-4657  
 Fax: 1-888-246-5732

**México**

www.finishingbrands.com.mx  
 sales@finishingbrands.com.mx  
 Teléfono: 011 52 55 5321 2300  
 Fax: 011 52 55 5310 4790

**Brasil**

www.devilbiss.com.br  
 sales@devilbiss.com.br  
 Teléfono: +55 11 5641 2776  
 Fax: 55 11 5641 1256

**Reino Unido**

www.finishingbrands.eu  
 info@finishingbrands.eu  
 Teléfono: +44 (0)1202 571 111  
 Fax: +44 (0)1202 573 488

**Francia**

www.finishingbrands.eu  
 info@finishingbrands.eu  
 Teléfono: +33(0)475 75 27 00  
 Fax: +33(0)475 75 27 59

**Alemania**

www.finishingbrands.eu  
 info@finishingbrands.eu  
 Teléfono: +49 (0) 6074 403 1  
 Fax: +49 (0) 6074 403 281

**China**

www.finishingbrands.com.cn  
 mkt@finishingbrands.com.cn  
 Teléfono: +8621-3373 0108  
 Fax: +8621-3373 0308

**Japón**

www.ransburg.co.jp  
 binks-devilbiss@ransburg.co.jp  
 Teléfono: 081 45 785 6421  
 Fax: 081 45 785 6517

**Australia**

www.finishingbrands.com.au  
 sales@finishingbrands.com.au  
 Teléfono: +61 (0) 2 8525 7555  
 Fax: +61 (0) 2 8525 7500

