

BINKS® SG-2 PLUS™ ROTARY 2 QT. PRESSURE CUP **MODEL NO. 80-651 – ROTARY AGITATOR**

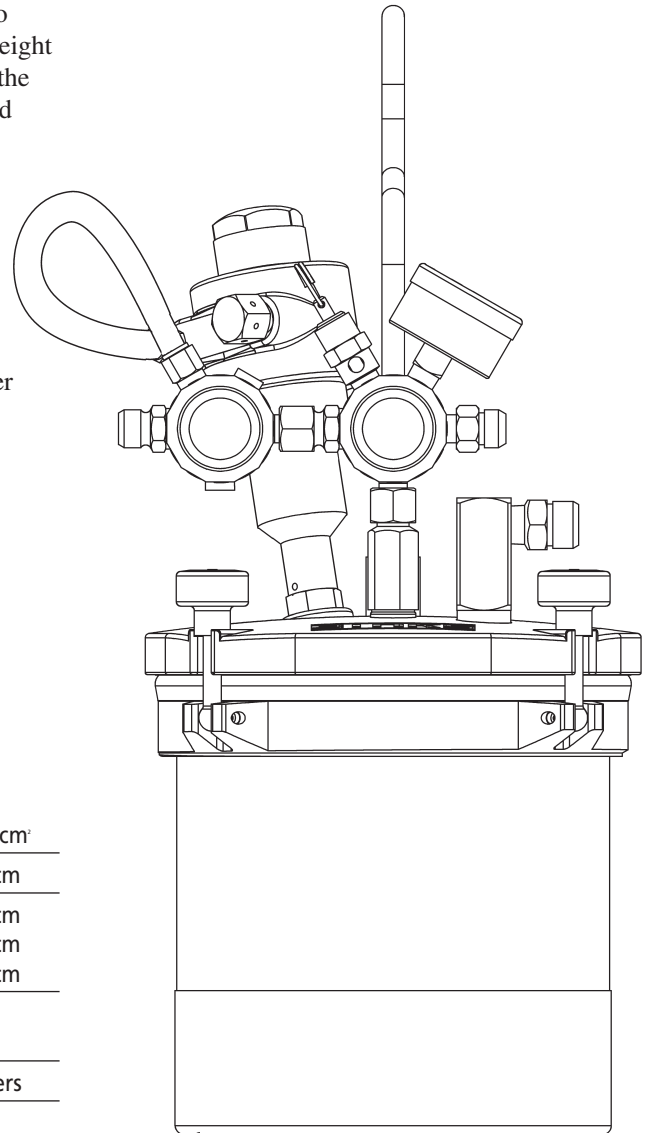
INTRODUCTION

Binks SG-2™ Plus Rotary 2 Qt. Pressure Cup is ideal for component spraying and industrial applications where small batch production spraying is required. The 2 qt. capacity is sufficient to complete large spray jobs without refilling the cup. Its lightweight and rugged construction is excellent for portability, allowing the operator to make fluid and air control adjustments quickly and efficiently at the spray station.

The internal construction is designed for waterborne and solvent base materials.

Other features include:

- Stainless steel pick-up tube, fluid fittings and removable plastic liner makes it corrosion resistant.
- “Wide-mouth” opening allows easy cleaning, plastic liner removal and quick color change.
- Positive grip carrying handle for operator comfort.
- Wide stainless steel base for stability and corrosion resistance.
- 0-50 psig fluid pressure range.
- Optional 0-10 psi pressure kit.
- Silverstone® coated on interior and exterior of lid.
- Rotary agitator for metallics and paints requiring continuous agitation.
- Mixed flow impeller for superior agitation with minimal vortex.



SPECIFICATIONS

MAX. WORKING PRESSURE	50 psig	3.5 kg/cm ²
OVERALL HEIGHT	15 11/16 in.	39.88 cm
BASE DIAMETER	6 in.	15.24 cm
DIA. ACROSS CLOSED CLAMPS.....	8 1/16 in.	20.47 cm
DIA. ACROSS OPEN CLAMPS	8 1/16 in.	20.47 cm
AIR INLET & OUTLET CONNECTION SIZE ...	1/4 NPS (m)	--
FLUID OUTLET CONNECTION SIZE.....	3/8 NPS (m)	--
FLUID CAPACITY	2 Qts. (U.S.)	1.9 Liters
WEIGHT	7lb.5oz.	3.3 kg.
AGITATOR AIR CONSUMPTION	2.5 cfm @ 40 psi	7.5 cfm @ 100 psi

⚠ WARNING

All air and fluid pressure in the system must be relieved before servicing the cup and before cup is filled or cleaned. Attempting to service the cup while pressurized could result in damage to components or personal injury.

In this part sheet, the words **WARNING**, **CAUTION** and **NOTE** are used to emphasize important safety information as follows:

WARNING

Hazards or unsafe practices which could result in severe personal injury, death or substantial property damage.

CAUTION

Hazards or unsafe practices which could result in minor personal injury, product or property damage.

NOTE

Important installation, operation or maintenance information.

WARNING

Read the following warnings before using this equipment.



READ THE MANUAL

Before operating finishing equipment, read and understand all safety, operation and maintenance information provided in the operation manual.



OPERATOR TRAINING

All personnel must be trained before operating finishing equipment.



EQUIPMENT MISUSE HAZARD

Equipment misuse can cause the equipment to rupture, malfunction, or start unexpectedly and result in serious injury.



LOCK OUT / TAG-OUT

Failure to de-energize, disconnect, lock out and tag-out all power sources before performing equipment maintenance could cause serious injury or death.



AUTOMATIC EQUIPMENT

Automatic equipment may start suddenly without warning.



PRESSURE RELIEF PROCEDURE

Always follow the pressure relief procedure in the equipment instruction manual.



KEEP EQUIPMENT GUARDS IN PLACE

Do not operate the equipment if the safety devices have been removed.



KNOW WHERE AND HOW TO SHUT OFF THE EQUIPMENT IN CASE OF AN EMERGENCY



WEAR SAFETY GLASSES

Failure to wear safety glasses with side shields could result in serious eye injury or blindness.



INSPECT THE EQUIPMENT DAILY

Inspect the equipment for worn or broken parts on a daily basis. Do not operate the equipment if you are uncertain about its condition.



NEVER MODIFY THE EQUIPMENT

Do not modify the equipment unless the manufacturer provides written approval.



NOISE HAZARD

You may be injured by loud noise. Hearing protection may be required when using this equipment.



PROJECTILE HAZARD

You may be injured by venting liquids or gases that are released under pressure, or flying debris.



PINCH POINT HAZARD

Moving parts can crush and cut. Pinch points are basically any areas where there are moving parts.



STATIC CHARGE

Fluid may develop a static charge that must be dissipated through proper grounding of the equipment, objects to be sprayed and all other electrically conductive objects in the dispensing area. Improper grounding or sparks can cause a hazardous condition and result in fire, explosion or electric shock and other serious injury.



WEAR RESPIRATOR

Toxic fumes can cause serious injury or death if inhaled. Wear a respirator as recommended by the fluid and solvent manufacturer's Safety Data Sheet.



TOXIC FLUID & FUMES

Hazardous fluid or toxic fumes can cause serious injury or death if splashed in the eyes or on the skin, inhaled, injected or swallowed. LEARN and KNOW the specific hazards or the fluids you are using.



FIRE AND EXPLOSION HAZARD

Improper equipment grounding, poor ventilation, open flame or sparks can cause a hazardous condition and result in fire or explosion and serious injury.



MEDICAL ALERT

Any injury caused by high pressure liquid can be serious. If you are injured or even suspect an injury:

- Go to an emergency room immediately.
- Tell the doctor you suspect an injection injury.
- Show the doctor this medical information or the medical alert card provided with your airless spray equipment.
- Tell the doctor what kind of fluid you were spraying or dispensing.



GET IMMEDIATE MEDICAL ATTENTION

To prevent contact with the fluid, please note the following:

- Never point the gun/valve at anyone or any part of the body.
- Never put hand or fingers over the spray tip.
- Never attempt to stop or deflect fluid leaks with your hand, body, glove or rag.
- Always have the tip guard on the spray gun before spraying.
- Always ensure that the gun trigger safety operates before spraying.



PROP 65 WARNING

WARNING: This product contains chemicals known to the State of California to cause cancer and birth defects or other reproductive harm.

IT IS THE RESPONSIBILITY OF THE EMPLOYER TO PROVIDE THIS INFORMATION TO THE OPERATOR OF THE EQUIPMENT. FOR FURTHER SAFETY INFORMATION REGARDING THIS EQUIPMENT, SEE THE GENERAL EQUIPMENT SAFETY BOOKLET (77-5300).

SETUP AND OPERATION

Refer to "TYPICAL INSTALLATION" drawing below

Set up the SG-2 Plus™ Rotary with the CONVENTIONAL or HVLP gun along with at least 5 ft. of air and fluid hose.

Attach air hose from extractor to air inlet on handle of steady-grip assembly. Pour paint into canister with liner. Re-attach lid to canister and firmly tighten four knobs over canister lid. Set air pressure from air regulator mounted on extractor and fluid pressure by adjusting fluid pressure adjustment knob on cup handle. Open air valve on top of handle to start agitator.

CAUTION

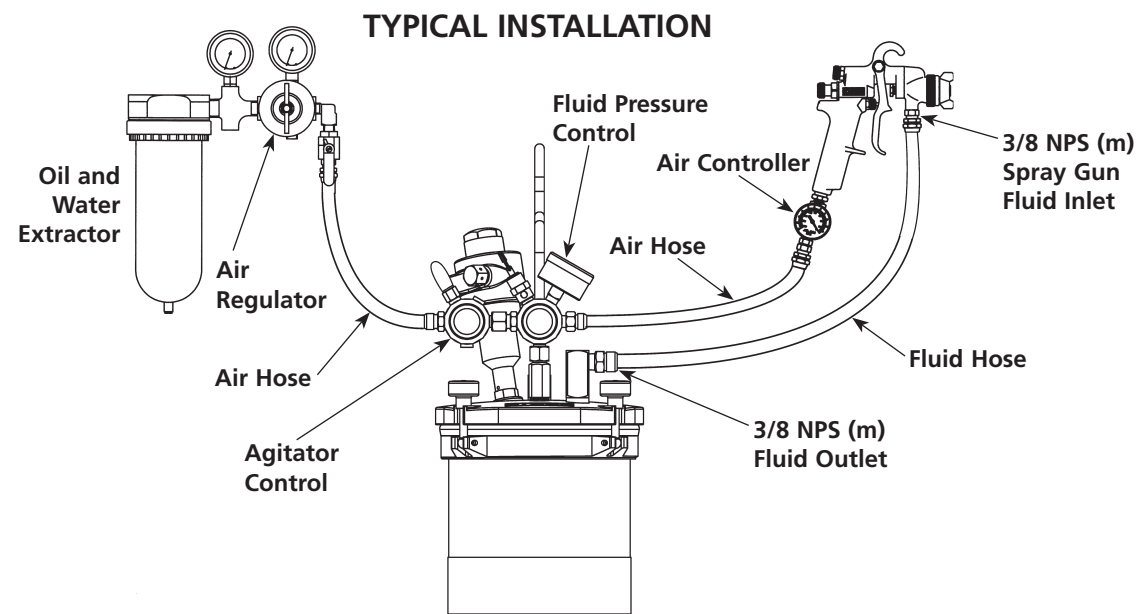
Do not exceed 100 PSIG input air pressure into the cup. Excessive pressure could damage components.

WARNING

Chlorinated solvents and aluminum are incompatible and will cause an adverse chemical reaction, possibly resulting in bodily injury. With the SG2 pressure cup, use chlorinated solvents only when using plastic liner (80-355).

CAUTION

Before refilling canister with paint, shut off air supply to the cup and release pressure from canister by rotating pressure relief knob counterclockwise.



MAINTAINING YOUR 80-651 ROTARY PRESSURE CUP

DAILY: Add a couple drops of air motor oil to air motor inlet to ensure smooth operation. **DO NOT ADD OIL TO MAIN AIR INLET ON HANDLE.**

AS NEEDED: Clean and lubricate regulator, check valve and pop valve.

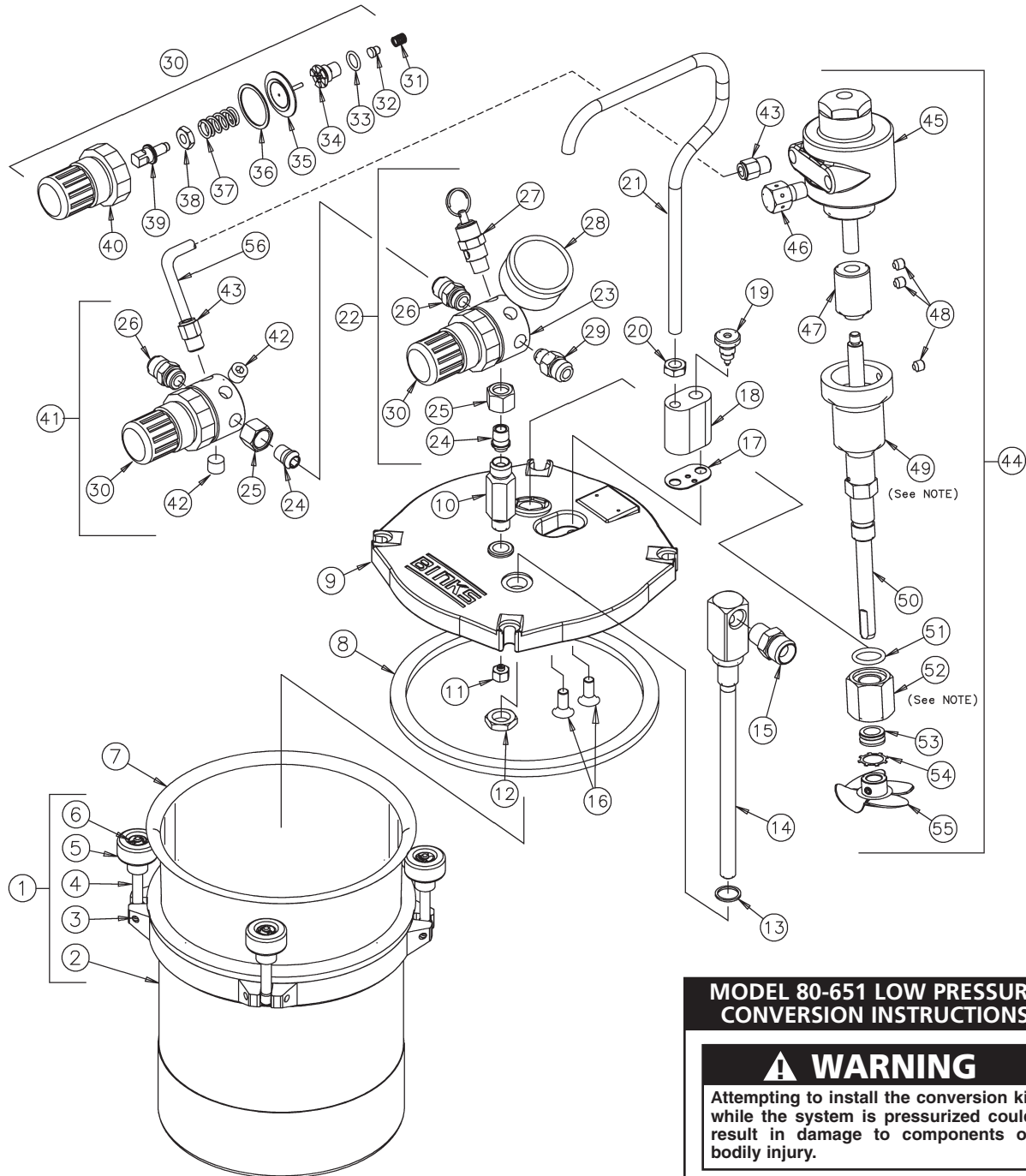
WARNING

Disconnect air source from cup and bleed off all pressure before servicing the cup or its components. Failure to do so could result in injury.

NOTE

Items 49 and 52 have left hand threads.

Binks MODEL 80-651 SG-2 PLUS™ PRESSURE CUP WITH ROTARY AGITATOR



NOTE
Items 49 and 52 have left hand threads.

**MODEL 80-651 LOW PRESSURE
CONVERSION INSTRUCTIONS**

⚠ WARNING

Attempting to install the conversion kit while the system is pressurized could result in damage to components or bodily injury.

INSTRUCTIONS

1. Depressurize and shut off the entire system before installing the conversion kit.
2. Remove regulator from cup.
3. Replace gauge (28) with gauge provided in the conversion kit.
4. Replace the regulating spring (37).
5. Inspect all other internal components of the regulator and replace with the new items from the conversion kit as needed and reassemble the regulator.
6. Reassemble the regulator to the cup.

Binks MODEL 80-651 SG-2 PLUS™ PRESSURE CUP WITH ROTARY AGITATOR

PARTS LIST

(When ordering, please specify Part No.)

ITEM NO.	PART NO.	DESCRIPTION	QTY.	ITEM NO.	PART NO.	DESCRIPTION	QTY.
1	80-375	2 QT CANISTER ASM.....	1	30	85-438* ◇	REGULATOR KIT, 60 PSI.....	2
2	80-376+	2 QT CANISTER SUB-ASM.....	1	31	----- ▲	VALVE SPRING.....	1
3	20-4870+○	SPIROL PIN.....	4	32	----- ▲	VALVE, TEF.....	1
4	80-381+○	CANISTER KNOB SWIVEL.....	4	33	----- ▲	O-RING.....	1
5	80-380+○	CANISTER KNOB.....	4	34	----- ▲	VALVE SEAT.....	1
6	80-382+○	RETAINING RING.....	4	35	----- ▲	DIAPHRAGM.....	1
7	80-355	DISPOSABLE LINER.....	1	36	----- ▲	VALVE SPRING.....	1
8	80-392*	LID GASKET.....	1	37	----- ▲	REGULATING SPRING.....	1
9	80-602	COVER MACHINING.....	1	38	----- ▲	NUT.....	1
10	80-606	CHECK VALVE ASM.....	1	39	----- ▲	STEM.....	1
11	80-610	DIFFUSER.....	1	40	----- ▲	BONNET.....	1
12	80-389	FLUID TUBE NUT.....	1	41	85-448	REGULATOR ASM, Agitator control	1
13	80-388*	FLUID TUBE SEAL.....	1	42	20-2287-1	PLUG, 1/8 NPT.....	2
14	80-613	FLUID TUBE ASM.....	1	43	54-4945	PUSH-LOK CONNECTION.....	2
15	83-2484	DM NIPPLE, 1/4 NPT X 3/8 NPS.....	1	44	80-452	ROTARY AGITATOR ASM.....	1
16	20-6582	SCREW.....	2	45	37-478	AIR MOTOR.....	1
17	80-373*	HANDLE GASKET.....	1	46	41-646	MUFFLER.....	1
18	80-604	MANIFOLD.....	1	47	80-459	SHAFT COUPLING.....	1
19	80-12	RELIEF VALVE.....	1	48	20-2141	SET SCREW, HEX HEAD.....	3
20	20-353-1	JAM NUT, 5/16-18.....	1	49	80-455	SHAFT HOUSING.....	1
21	80-605	HANDLE.....	1	50	80-457	SHAFT.....	1
22	85-450	REGULATOR ASM (60# gauge).....	1	51	20-6754	O-RING.....	1
23	85-436	REGULATOR BODY.....	2	52	80-454	SEAL RETAINER NUT.....	1
24	72-104	TAIL PIECE.....	2	53	80-458	ROTARY SEAL.....	1
25	72-93	SWIVEL NUT, 1/4 NPS.....	2	54	20-6756	RETAINING RING.....	1
26	54-308	AIR CONNECTION.....	2	55	80-453	IMPELLER.....	1
27	85-243	SAFETY VALVE*.....	1	56	54-3929-5	TUBE 6" (Quantity Pack).....	1
28	59-369	GAUGE, 60 PSI.....	1				
29	71-28	DM NIPPLE, 1/8 NPT X 1/4 NPS.....	1				

* Part of 80-618 Pressure Cup Repair Kit.

+

○ Part of 80-390 Knob Replacement Kit. (1 ea. knob, pin, spring, and retaining ring.)

◇ Used in 85-448 and 85-450 Regulator Assemblies.

▲ Part of 85-438 Regulator Kit.

ACCESSORIES

(Not furnished, please order separately.)

PART NO.	DESCRIPTION	QTY.
80-356	CANISTER LINER QTY. PACK OF 80-355.....	12/pk.
HAV-500	AIR ADJUSTING VALVE.....	1
HAV-501	AIR ADJUSTING VALVE W/GAUGE.....	1

6-196 AIR MOTOR REPAIR KIT

PART NO.	DESCRIPTION	QTY.
37-703	VANE.....	1
37-525	BEARING.....	1
37-526	SHAFT SEAL.....	1
37-528	END PLATE GASKET.....	1
37-530	END CAP GASKET.....	1

80-465 AGITATOR SHAFT KIT

PART NO.	DESCRIPTION	QTY.
80-458	ROTARY SEAL.....	1
80-457	AGITATOR SHAFT.....	1
20-6756	RETAINING RING.....	1

80-463 AGITATOR REPAIR KIT

PART NO.	DESCRIPTION	QTY.
80-458	ROTARY SEAL.....	1
20-6756	RETAINING RING.....	1
20-6754	O-RING.....	1

80-618 PRESSURE CUP REPAIR KIT

(HIGH PRESSURE – 50# SPRING)

PART NO.	DESCRIPTION	QTY.
85-438	REGULATOR KIT, (50# SPRING).....	1
80-373	HANDLE GASKET.....	1
80-388	FLUID TUBE SEAL.....	2
80-392	LID GASKET.....	1
85-243	SAFETY VALVE.....	1

85-441 DUAL REGULATION CONVERSION KIT

PART NO.	DESCRIPTION	QTY.
HAR-503-2	REGULATOR.....	1
85-439*	SPRING, 50 PSI, GREEN.....	1
57-13-1	DM NIPPLE.....	1
85-70	GAUGE, 60 PSI.....	1
SSP-8217-ZN	SWIVEL FITTING 1/4(M) NPT X 1/4 NPS(F)....	1

*Available in kit 85-438

NOTES

NOTES

WARRANTY POLICY

This product is covered by Carlisle Fluid Technologies' materials and workmanship limited warranty. The use of any parts or accessories, from a source other than Carlisle Fluid Technologies, will void all warranties. Failure to reasonably follow any maintenance guidance provided may invalidate any warranty.

For specific warranty information please contact Carlisle Fluid Technologies.

Carlisle Fluid Technologies is a global leader in innovative finishing technologies. Carlisle Fluid Technologies reserves the right to modify equipment specifications without prior notice.

DeVilbiss®, Ransburg®, ms®, BGK®, and Binks®
are registered trademarks of Carlisle Fluid Technologies, Inc.

©2018 Carlisle Fluid Technologies, Inc.
All rights reserved.

For technical assistance or to locate an authorized distributor,
contact one of our international sales and customer support locations.

Region	Industrial / Automotive	Automotive Refinishing
Americas	Tel: 1-800-992-4657 Fax: 1-888-246-5732	Tel: 1-800-445-3988 Fax: 1-800-445-6643
Europe, Africa, Middle East, India	Tel: +44 (0)1202 571 111 Fax: +44 (0)1202 573 488	
China	Tel: +8621-3373 0108 Fax: +8621-3373 0308	
Japan	Tel: +81 45 785 6421 Fax: +81 45 785 6517	
Australia	Tel: +61 (0) 2 8525 7555 Fax: +61 (0) 2 8525 7575	

For the latest information about our products, visit www.carlisleleft.com