



BINKS MODEL 81-810

DRIP-PROOF 1-QUART NON-STICK COATED ALUMINUM SIPHON CUP ASSEMBLY

3/8 NPS THREAD SWIVEL NUT

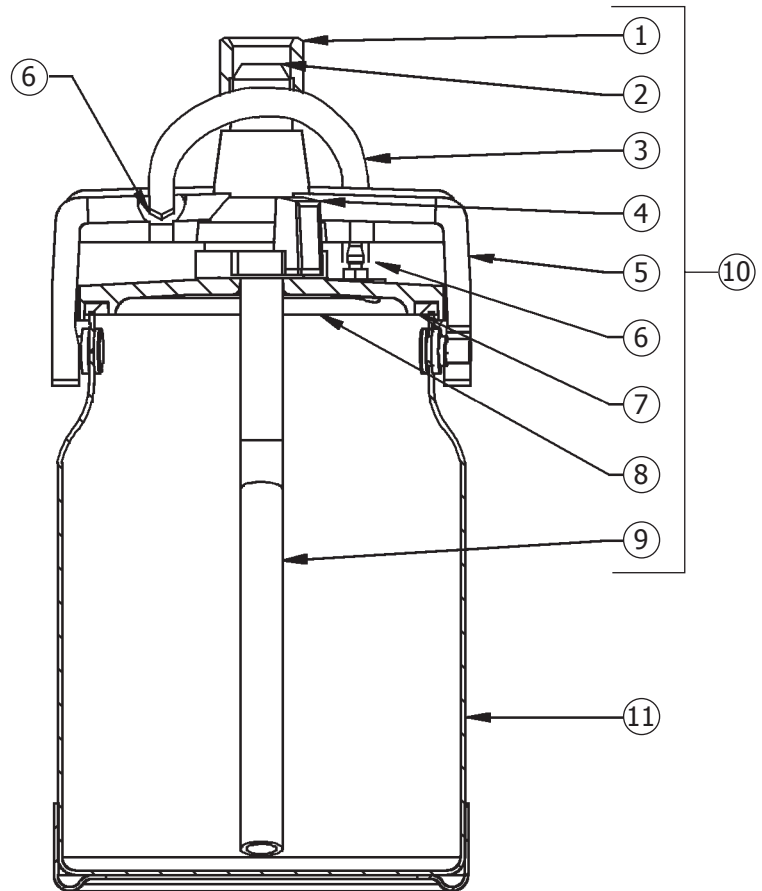
NOTE

Keep tube and tube connectors clean of paint.
Accumulation of paint in the tube or connectors can
plug them and prevent the siphon action.

81-810 PARTS LIST

Ref. No.	Replacement Part No.	Description	Ind. Parts Req'd.
1	● TGC-13	SWIVEL NUT	1
2	● TGC-12	ADAPTER	1
3	●▲ 81-803	DRIP PROOF TUBE (PLUS ONE SPARE)	2
4	● TSC-13	LEVER	1
5	81-802	YOKE	1
6	● 81-307	CONNECTOR	2
7	●**^ TGC-9	GASKET	1
8	81-805	COVER MACHINING	1
9	TGC-11	TUBE (FLUID)	1
10	** 81-801	COVER ASSEMBLY	1
11	82-418	1 QUART CUP ASSY.	1

● Available in 81-806 Cup Cover Repair Kit.
 ▲ Available in quantity pack. Order 81-803-K5 (quantity of 5).
 * Available in quantity pack. Order TGC-9-K5 (quantity of 5).
 ^ Alternate High Performance Gasket 80-506-K5.
 ** 81-801 Cover Assembly can be purchased separately.



PROP 65 WARNING
 WARNING: This product contains chemicals known to the State of California to cause cancer and birth defects or other reproductive harm.

WARRANTY POLICY

Binks products are covered by Finishing Brands one year materials and workmanship limited warranty. The use of any parts or accessories, from a source other than Finishing Brands, will void all warranties. For specific warranty information please contact the closest Finishing Brands location listed below.

Finishing Brands reserves the right to modify equipment specifications without prior notice. DeVilbiss, Ransburg, BGK, and Binks are registered trademarks of Finishing Brands. ©2014 Finishing Brands. All rights reserved.



Binks is part of Finishing Brands, a global leader in innovative spray finishing technologies. For technical assistance or to locate an authorized distributor, contact one of our international sales and customer support locations below.

USA/Canada

www.binks.com
info@finishingbrands.com
Tel: 1-800-992-4657
Fax: 1-888-246-5732

Mexico

www.finishingbrands.com.mx
sales@finishingbrands.com.mx
Tel: 011 52 55 5321 2300
Fax: 011 52 55 5310 4790

Brazil

www.devilbiss.com.br
sales@devilbiss.com.br
Tel: +55 11 5641 2776
Fax: 55 11 5641 1256

United Kingdom

www.finishingbrands.eu
info@finishingbrands.eu
Tel: +44 (0)1202 571 111
Fax: +44 (0)1202 573 488

France

www.finishingbrands.eu
info@finishingbrands.eu
Tel: +33(0)475 75 27 00
Fax: +33(0)475 75 27 59

Germany

www.finishingbrands.eu
info@finishingbrands.eu
Tel: +49 (0) 6074 403 1
Fax: +49 (0) 6074 403 281

China

www.finishingbrands.com.cn
mkt@finishingbrands.com.cn
Tel: +8621-3373 0108
Fax: +8621-3373 0308

Japan

www.ransburg.co.jp
binks-devilbiss@ransburg.co.jp
Tel: 081 45 785 6421
Fax: 081 45 785 6517

Australia

www.finishingbrands.com.au
sales@finishingbrands.com.au
Tel: +61 (0) 2 8525 7555
Fax: +61 (0) 2 8525 7500

