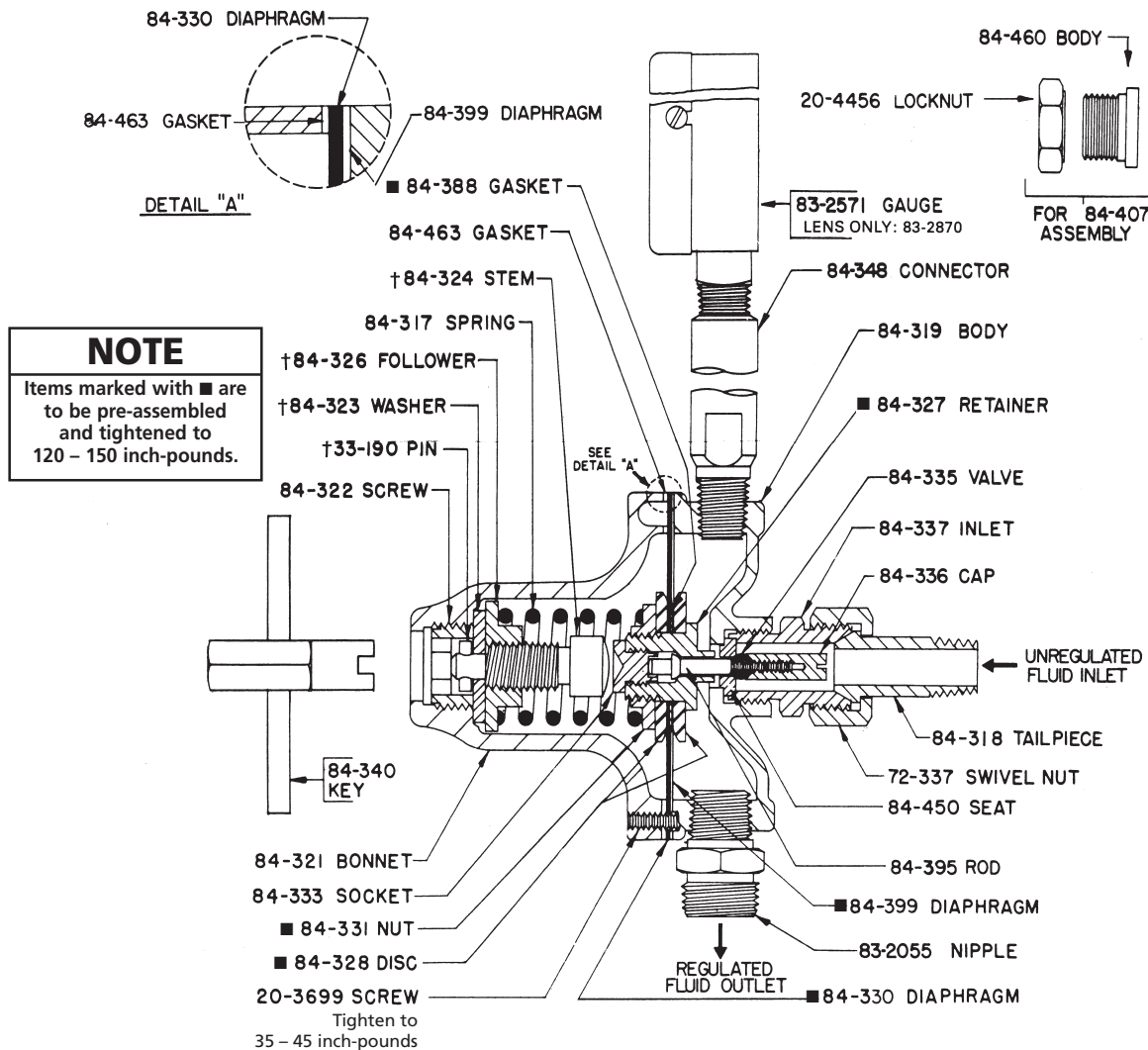


BINKS® MODELS 84-320 (KEY OPERATED) AND 84-407 (REMOTE CONTROL) STANDARD PRESSURE DIAPHRAGM FLUID REGULATORS ALL STAINLESS STEEL FITTED



PARTS LIST

PART NO.	DESCRIPTION	QTY.	PART NO.	DESCRIPTION	QTY.
20-3699●	SOC. HD. CAP SCREW, 10-24 x 1 in. long	6	84-330▲	DIAPHRAGM	1
20-4456	LOCK NUT (84-407)	1	84-331	NUT	1
33-190†*	PIN	1	84-333	SOCKET RETAINER	1
72-337	SWIVEL NUT	1	84-335	VALVE	1
83-2055	D.M. NIPPLE	1	84-336	CAP NUT	1
83-2571	GAUGE, 0-100 PSI	1	84-337	INLET	1
83-2870	GAUGE LENS (Replacement)	1	84-340*	KEY	1
84-317*	SPRING	1	84-348	CONNECTOR	1
84-318	TAILPIECE	1	84-388▲	GASKET	1
84-319	BODY	1	84-395	ROD	1
84-321	BONNET	1	84-399▲	DIAPHRAGM (Teflon)	1
84-322*	SCREW	1	84-450	SEAT	1
84-323†*	WASHER	1	84-460	BODY (84-407 Only)	1
84-324†*	STEM	1	84-463▲	GASKET	1
84-325†*	STEM ASSEM.	1			
84-326†*	FOLLOWER	1			
84-327	RETAINER BODY	1			
84-328	DISC	2			

● Before installing, tighten all flange screws securely.

† Parts included in 84-325 Stem Ass'y.

* Parts used only on Model 84-320 Regulator.

▲ Parts included in 6-1310 Repair Kit.

In this part sheet, the words **WARNING**, **CAUTION** and **NOTE** are used to emphasize important safety information as follows:

WARNING

Hazards or unsafe practices which could result in severe personal injury, death or substantial property damage.

CAUTION

Hazards or unsafe practices which could result in minor personal injury, product or property damage.

NOTE

Important installation, operation or maintenance information.

WARNING

Read the following warnings before using this equipment.



READ THE MANUAL

Before operating finishing equipment, read and understand all safety, operation and maintenance information provided in the operation manual.



OPERATOR TRAINING

All personnel must be trained before operating finishing equipment.



EQUIPMENT MISUSE HAZARD

Equipment misuse can cause the equipment to rupture, malfunction, or start unexpectedly and result in serious injury.



LOCK OUT / TAG-OUT

Failure to de-energize, disconnect, lock out and tag-out all power sources before performing equipment maintenance could cause serious injury or death.



AUTOMATIC EQUIPMENT

Automatic equipment may start suddenly without warning.



PRESSURE RELIEF PROCEDURE

Always follow the pressure relief procedure in the equipment instruction manual.



KEEP EQUIPMENT GUARDS IN PLACE

Do not operate the equipment if the safety devices have been removed.



KNOW WHERE AND HOW TO SHUT OFF THE EQUIPMENT IN CASE OF AN EMERGENCY



WEAR SAFETY GLASSES

Failure to wear safety glasses with side shields could result in serious eye injury or blindness.



INSPECT THE EQUIPMENT DAILY

Inspect the equipment for worn or broken parts on a daily basis. Do not operate the equipment if you are uncertain about its condition.



NEVER MODIFY THE EQUIPMENT

Do not modify the equipment unless the manufacturer provides written approval.



NOISE HAZARD

You may be injured by loud noise. Hearing protection may be required when using this equipment.



PROJECTILE HAZARD

You may be injured by venting liquids or gases that are released under pressure, or flying debris.



PINCH POINT HAZARD

Moving parts can crush and cut. Pinch points are basically any areas where there are moving parts.



STATIC CHARGE

Fluid may develop a static charge that must be dissipated through proper grounding of the equipment, objects to be sprayed and all other electrically conductive objects in the dispensing area. Improper grounding or sparks can cause a hazardous condition and result in fire, explosion or electric shock and other serious injury.



WEAR RESPIRATOR

Toxic fumes can cause serious injury or death if inhaled. Wear a respirator as recommended by the fluid and solvent manufacturer's Safety Data Sheet.



TOXIC FLUID & FUMES

Hazardous fluid or toxic fumes can cause serious injury or death if splashed in the eyes or on the skin, inhaled, injected or swallowed. LEARN and KNOW the specific hazards or the fluids you are using.



FIRE AND EXPLOSION HAZARD

Improper equipment grounding, poor ventilation, open flame or sparks can cause a hazardous condition and result in fire or explosion and serious injury.



MEDICAL ALERT

Any injury caused by high pressure liquid can be serious. If you are injured or even suspect an injury:

- Go to an emergency room immediately.
- Tell the doctor you suspect an injection injury.
- Show the doctor this medical information or the medical alert card provided with your airless spray equipment.
- Tell the doctor what kind of fluid you were spraying or dispensing.



GET IMMEDIATE MEDICAL ATTENTION

To prevent contact with the fluid, please note the following:

- Never point the gun/valve at anyone or any part of the body.
- Never put hand or fingers over the spray tip.
- Never attempt to stop or deflect fluid leaks with your hand, body, glove or rag.
- Always have the tip guard on the spray gun before spraying.
- Always ensure that the gun trigger safety operates before spraying.

**CA PROP
65**

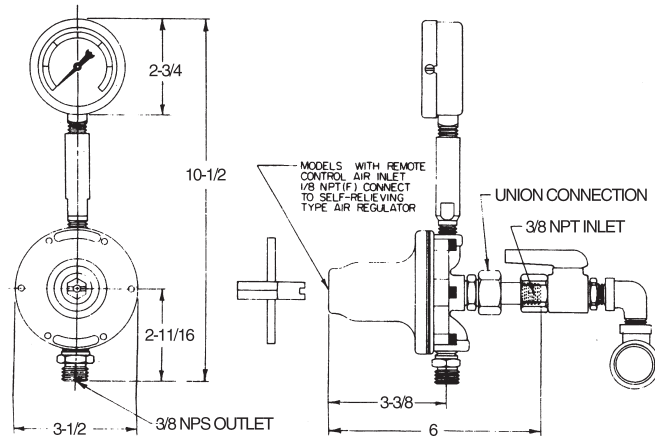
PROP 65 WARNING

WARNING: This product contains chemicals known to the State of California to cause cancer and birth defects or other reproductive harm.

IT IS THE RESPONSIBILITY OF THE EMPLOYER TO PROVIDE THIS INFORMATION TO THE OPERATOR OF THE EQUIPMENT. FOR FURTHER SAFETY INFORMATION REGARDING THIS EQUIPMENT, SEE THE GENERAL EQUIPMENT SAFETY BOOKLET (77-5300).

**Binks MODELS 84-320 (Key Operated) & 84-407 (Remote Control) STANDARD PRESSURE
DIAPHRAGM FLUID REGULATORS
All Stainless Steel Fitted**

INSTALLATION DATA



Installation is simplified by the use of a swivel nut inlet connection (see photo). This is standard on all models; it eliminates the cost of a union, and provides a quick and convenient method to easily remove the unit from the line.

NOTE: Due to variations in diaphragm stretch, fluid flow may not shut-off when the pressure is backed off to zero. Install an inlet valve if complete shut-off is required.

Regulation Range	5 to 55 psi.	.34 to 3.79 BAR
Max. Rec. Flow	128 Oz./Min.	3.78 L/Min.
Max. Inlet Pressure	200 psi.	14.06 Kg/CM ₂

OPERATING INSTRUCTIONS

MOUNTING: Regulator (3/8" N.P.T.(M) Inlet) may be mounted in either a horizontal or vertical position. However, in *all* cases: to operate properly, gauge riser tube *must* be in a vertical position.

REGULATION: Use slotted end of key. Clockwise rotation increases pressure; counter-clockwise rotation reduces pressure.

NOTE: Fluid should be flowing through regulator when regulating pressure.

BLOW BACK: Use hexagon end of key. Turn counter-

clockwise and gauge will read inlet pressure (main line pressure).

To shut off, turn key clockwise and gauge will return to normal regulated reading when flow begins.

CAUTION: When blowing back to reverse-flush regulator, be sure air pressure *does not* exceed maximum rating of gauge.

BUZZING: When regulated pressure climbs, it normally indicates dirt on the seat; trigger gun rapidly to flush seat. If climbing continues, open regulator to main line to flush. If climbing still persists, replace valve and seat.

SERVICE INSTRUCTIONS

TO REPLACE FLUID VALVE & SEAT: Remove regulator from line by loosening the swivel nut; always blow back regulator before removing. At inlet, remove (counter-clockwise rotation) slotted cap nut with screw driver, ball valve will slide off rod. Unscrew (counter-clockwise rotation) hexagon inlet retainer; valve seat will be removed with retainer.

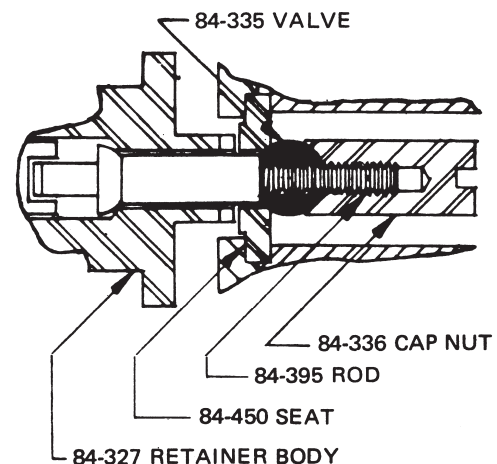
Remove valve seat from retainer and replace if worn. Ball valve may be released and reused unless both sides are worn.

To Reassemble: Insert valve seat into retainer; note position of shoulder. Place ball valve on rod, and screw cap nut on rod and tighten. Screw hex retainer on to body and tighten. *Regulator requires no adjustments.*

TO REPLACE DIAPHRAGM: Remove regulator from line. At inlet, remove slotted cap nut with screw driver; ball valve will slide off rod.

Remove bonnet by loosening (6) socket head cap screws. Clamp diaphragm assembly in vise, loosen 84-331 Nut and remove diaphragm.

To Reassemble: Reverse above procedure.



WARRANTY POLICY

This product is covered by Carlisle Fluid Technologies' materials and workmanship limited warranty. The use of any parts or accessories, from a source other than Carlisle Fluid Technologies, will void all warranties. Failure to reasonably follow any maintenance guidance provided may invalidate any warranty.

For specific warranty information please contact Carlisle Fluid Technologies.

Carlisle Fluid Technologies is a global leader in innovative finishing technologies. Carlisle Fluid Technologies reserves the right to modify equipment specifications without prior notice.

DeVilbiss®, Ransburg®, ms®, BGK®, and Binks®
are registered trademarks of Carlisle Fluid Technologies, Inc.

©2018 Carlisle Fluid Technologies, Inc.
All rights reserved.

For technical assistance or to locate an authorized distributor,
contact one of our international sales and customer support locations.

Region	Industrial / Automotive	Automotive Refinishing
Americas	Tel: 1-800-992-4657 Fax: 1-888-246-5732	Tel: 1-800-445-3988 Fax: 1-800-445-6643
Europe, Africa, Middle East, India	Tel: +44 (0)1202 571 111 Fax: +44 (0)1202 573 488	
China	Tel: +8621-3373 0108 Fax: +8621-3373 0308	
Japan	Tel: +81 45 785 6421 Fax: +81 45 785 6517	
Australia	Tel: +61 (0) 2 8525 7555 Fax: +61 (0) 2 8525 7575	

For the latest information about our products, visit www.carlisleleft.com