



HVLP AIR CAP AND FLUID NOZZLE CHART

MODEL NO.	AIR CAPS	*MAX GUN INLET PRESS. FOR HVLP	FAN CONTROL	SCFM @ MAX GUN INLET	AIR CAP RING	AVAILABLE FLUID NOZZLES TIPS	NEEDLES / marking on needle
J100H			60-1502 (#2)	6	21-1001	31-0205 0.5mm (.020")	40-1100 (100)
		15		8		31-0208 0.8mm (.022")	
	21-1090	15		8		31-0210 1.0mm (.040")	
	21-1091	15		10		31-0212 1.2mm (.046")	
	21-1092	18		13		31-0213 1.3mm (.052")	
	21-1093	33		22.5		31-0214 1.4mm (.055")	
	21-1094	50		22.5		31-0215 1.5mm (.059")	
	21-1095	50				31-0216 1.6mm (.063")	
	21-1097					31-0217 1.7mm (.070")	
				31-0414 1.4Fmm (.055")	40-1114F (114F)		
				31-0417 1.7Fmm (.070")	40-1117F (117F)		

*Note: Air cap test gages are available to confirm HVLP compliance.
Actual fluid nozzle and air cap combinations are determined by application (see application chart page 4)
*Gun inlet pressures may vary as required by application

Operation and Maintenance Instructions for *J100H* Spray Guns

Operation

1. Connect air supply hose at handle of gun.
2. Screw the paint cup onto the gun's gravity feed fluid inlet.
3. Fluid flow can be controlled using the fluid control knob, this restricts flow by limiting needle travel. It is best to control fluid flow by proper selection of fluid orifice size and use the fluid control knob to "fine tune flow rate".
4. Fan width can be adjusted using the fan control knob. Turning the knob clockwise narrows the fan.

Maintenance

IMPORTANT! Routine cleaning and maintenance is essential to insure proper gun operation.

Several states prohibit spraying solvent into the atmosphere and require the use of covered gun cleaner.

1. If a gun cleaner is being used, connect and clean the gun in the gun cleaner according to the manufactures instructions.
2. If a gun cleaner is not being used:
Remove air cap and clean separately using clean solvent.
Clean the gravity feed cup thoroughly, then spray clean solvent through the gun until clean.

NOTE: Gun head disassembly is not recommended for normal cleaning and maintenance.

Gun head disassembly and reassembly instructions:

Have repair kit # 10-105 available before gun disassembly.

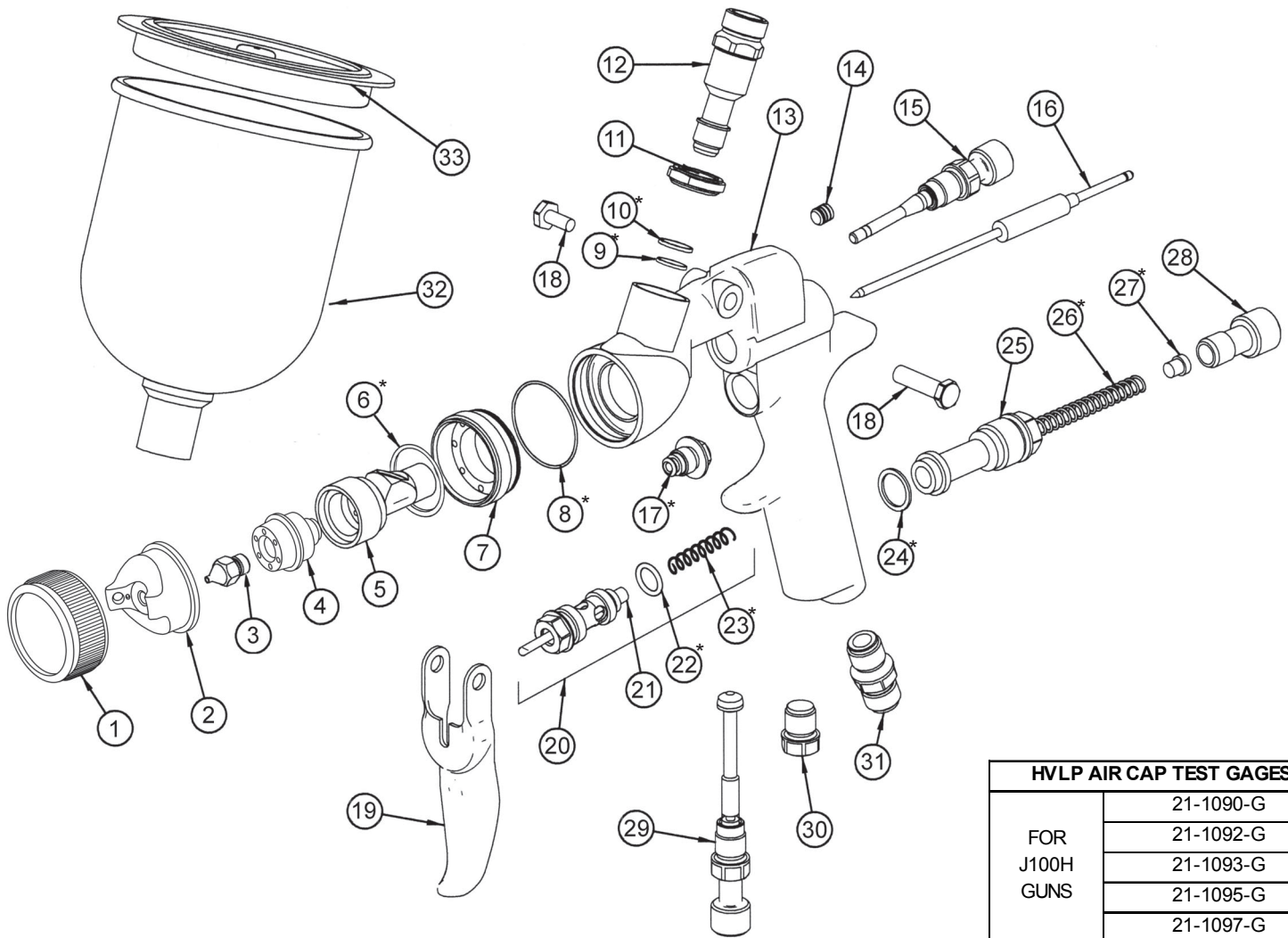
Gun head disassembly

To remove the nozzle carrier (5) and air cap adapter (7):

1. Remove the air cap (1 & 2), fluid nozzle tip (3), fluid nozzle body (4), and needle (16).
2. Remove the needle seal cartridge (17).
3. Loosen the locknut (11) and remove fluid inlet (12) using a 11/16" open-end wrench.
4. The nozzle carrier (5) and air cap adapter (7) will now slide forward from the gun body (13).

Gun head reassembly

1. Install a new o-ring (8) on the air cap adapter (7).
2. Install the thread locknut (11) and seal (10) onto the fluid inlet (12) as far as possible.
3. Install a new fluid inlet seal (9) into the recess area on the nozzle carrier (5) inlet port.
4. Install carrier seal (6) onto the back of the nozzle carrier (5).
5. Slide the nozzle carrier (5) into air cap adapter (7) and insert into the gun body (13) as far as possible. Be sure the nozzle carrier (5) extends into the hole at the back of the gun head. Install the needle seal (17) but do not tighten.
6. Rotate the nozzle carrier (5) until the fluid inlet port in the nozzle carrier (5) is aligned with the threaded hole in the body. While in this position, insert the fluid inlet (12) and tighten firmly.
7. Tighten the needle seal (17) to approx. 12 ft.-lb. torque.
8. Tighten the fluid inlet (12) to approx. 25 ft.-lb. torque.
9. Tighten the locknut (11) to approx. 33 ft.-lb. torque.



HVLP AIR CAP TEST GAGES	
FOR J100H GUNS	21-1090-G
	21-1092-G
	21-1093-G
	21-1095-G
	21-1097-G

ITEM NO.	PART NO.	DESCRIPTION	ITEM NO.	PART NO.	DESCRIPTION
1	See Air Cap Chart	Air Cap Ring**	19	60-2101	Trigger
2	See Air Cap Chart	Air Cap**	20	60-1520	Air Valve Assembly
3	See Air Cap Chart	Fluid Tip**	21	60-302	Air Valve Poppet
4	31-1201	Fluid Nozzle Body	22	60-125	Seal*
5	60-J11H	Nozzle Body Carrier	23	61-1003	Air Valve Spring*
6	60-123	Seal*	24	60-119	Seal*
7	60-12H	Air Cap Adapter	25	60-201	Rear Bushing
8	60-131	O-Ring*	26	60-204	Needle Return Spring*
9	60-124	Seal*	27	60-205	Spring Seat*
10	60-130	Seal*	28	60-202	Fluid Control Knob*
11	60-118	Locknut	29	60-1510	Inlet Air Control (Optional)
12	60-127	Fluid Inlet	30	60-122	Plug
13	60-1113	Jaguar Gun Body HVLP	31	60-104	Air Inlet Fitting
14	98-0109	Allen Plug	32	51-401 Standard 700 mL	Gravity Feed Cup (Aluminum)
15	See Air Cap Chart	Fan Control Assembly**		51-400 Optional 700 mL	Gravity Feed Cup (Plastic)
16	See Air Cap Chart	Fluid Needle**		51-403 Optional 1000 mL	Gravity Feed Cup (Aluminum)
17	60-1400	Needle Seal*	33	51-418	Gravity Cup Lid (401 & 403)
18	60-1033	Trigger Pivot Set		51-413	Gravity Cup Lid (400)

**See air cap selection chart on page 1

*Indicates part included in repair kit # 10-105

FLUID NOZZLE / AIR CAP SELECTION CHARTS

JAGUAR Series 100H - Gravity Feed Guns

J100H HVLP SPRAY GUN

MATERIAL TYPE	FLUID ORIFICE x AIR CAP	MAXIMUM PATTERN WIDTH	CFM
Very Thin less than 16 sec. Zahn #2 inks , dyes, solvents, stains	0.5, 0.8 mm x 1090 0.5, 0.8 mm x 1092	10 11	6 8
Thin 16 to 20 sec. Zahn #2 lacquers, enamels, primers, sealers	1.0, 1.2 mm x 1092 1.0, 1.2 mm x 1093	11 12	8 10
Medium 21 to 30 sec. Zahn #2 automotive base coat enamels, primers epoxies, urethanes automotive clear coat	1.3, 1.4, 1.5 mm x 1093 1.3, 1.4, 1.5 mm x 1095 1.3, 1.4, 1.5 mm x 1097	12 12 13	10 22.5 22.5
Heavy over 30 sec. Zahn #2 heavy body primers high solid enamels high solid automotive coatings adhesives	1.6, 1.7 mm x 1095 1.6, 1.7 mm x 1097	12 13	22.5 22.5