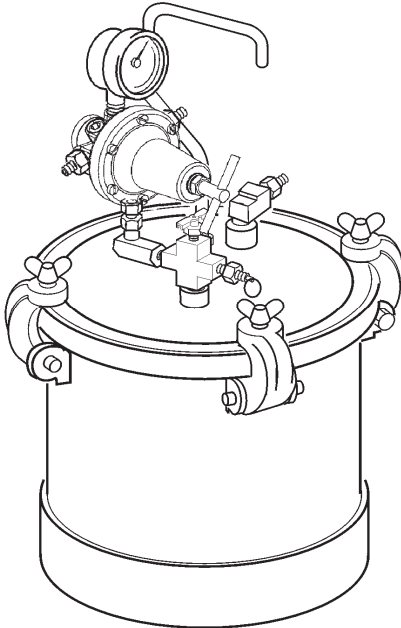





83C-210-CE & 83Z-210-CE PRESSURE TANK Small Tank - Up To 9.5 litres (2.8 US Gallons)

IMPORTANT: Read and follow all instructions and SAFETY PRECAUTIONS before using this equipment. Retain for future reference.



DESCRIPTION

These Pressure Tanks are CE marked in accordance with the Pressure Equipment Directive 97/23/EC and ATEX Directive 94/9/EC Cat 2 G X for use in Zones 1 and 2. They are suitable for use with flammable and waterbased (83Z only) materials.

These pressure tanks are designed as a pressure container to supply liquid material at a constant preset pressure up to a maximum of 5.5 bar (80 psi). The tanks are built to ASME specifications. 83C models are constructed from electro-zinc plated carbon steel. 83Z models have stainless steel fluid passages and lid. A polyethylene liner is included for easy clean up.

Models:

83C-210: Single regulation, electro-zinc plated carbon steel construction lid and shell.

83Z-210: Single regulation, electro-zinc plated carbon steel shell, stainless steel fluid passages and lids for waterbased materials.

WARNING

Halogenated hydrocarbon solvents - for example: 1,1,1, - trichloroethane and methylene chloride - can chemically react with aluminium parts and components and cause an explosion hazard. These solvents will also corrode the galvanized tank coating. Read the label or data sheet for the material. **Do not use materials containing these solvents with these pressure tanks.**

CAUTION

Refer to specifications chart to ensure that fluids and solvents being used are chemically compatible with the tank wetted parts. Before placing fluids or solvents in tank, always read accompanying manufacturer's literature and MSDS.

WARNING

Air pressure loads that are higher than design loads, or changes to the pressure feed tank can cause the tank to rupture or explode.

- A safety valve protects the tank from over pressurization. During each use pull the ring on the safety valve to make sure it operates freely and relieves air pressure. If the valve is stuck, does not operate freely, or does not relieve air pressure, it must be replaced. Do not eliminate, make adjustments or substitutions to this valve.

- Changes to the air tank will weaken it. Never drill into, weld or change the tank in any way.

- The maximum working pressure of this tank is 5.5 bar (80 psi).

WARNING

Static electricity can be created by the flow of fluid through the pressure tank and hose. If all parts are not properly grounded, sparking may occur. Sparks can ignite vapours from solvents and the fluid being sprayed.

Ground the pressure tank by using conductive air hoses and/or use of an ATEX approved grounding clamp from the tank and the other end to a true earth ground.

If static sparking, or slight shock, is experienced while using this equipment, stop spraying immediately. Check continuity to earth before continuing to use the equipment.

WARNING

Pressure Relief Procedure

High pressure can cause a serious injury. Pressure is maintained in a pressure tank after the system has been shut down. Before attempting removal of the cover, pressure must be relieved using the following steps:

1. Turn off the main air supply to the tank.
2. Close air inlet valve located on tank air manifold.
3. Bleed off air in the tank by turning the air relief valve thumb screw counterclockwise. Wait until all the air has escaped through the valve before removing the pressure tank cover.
4. Leave the air relief valve open until you have reinstalled the cover.

SAFETY PRECAUTIONS

This manual contains information that is important for you to know and understand. This information relates to **USER SAFETY** and **PREVENTING EQUIPMENT PROBLEMS**. To help you recognize this information, we use the following symbols. Please pay particular attention to these sections



Important information that tells how to prevent damage to equipment, or how to avoid a situation that may cause minor injury.
Important safety information - A hazard







that may cause serious injury or loss of life.

NOTE

Information that you should pay special attention to.



The following hazards may occur during the normal use of this equipment. Please read the following chart.

HAZARD	CAUSE	SAFEGUARDS
<p>FIRE</p> 	<p>Solvents and coatings can be highly combustible, especially when sprayed.</p>	<ol style="list-style-type: none"> 1. Adequate exhaust must be provided to keep the air free of accumulations of flammable vapours 2. Smoking must never be allowed in the spray area. 3. Fire extinguishing equipment must be present in the spray area.
<p>FIRE - PRESSURE TANK</p> 	<p>Vapours from flammable liquids can catch fire or explode</p>	<ol style="list-style-type: none"> 1. Keep tank at least 3 metres away from sources of ignition, including hot surfaces, mechanical sparks and arcing (non-explosion proof) electrical equipment.
<p>INHALING TOXIC SUBSTANCES</p> 	<p>Certain materials may be harmful if inhaled, or there is contact with the skin.</p>	<ol style="list-style-type: none"> 1. Follow the requirements of the Material Safety Data Sheet supplier by the coating manufacturer. 2. Adequate exhaust must be provided to keep the air free of accumulations of toxic materials. 3. Use a mask or respirator wherever there is a risk of inhaling sprayed materials. The mask must be suitable for the material being sprayed.
<p>EXPLOSION, PRESSURE TANK—RUPTURE</p> 	<p>Making any changes or modification to the pressure tank may weaken it.</p>	<ol style="list-style-type: none"> 1. Never drill into, weld or modify the tank in any way. 2. Do not adjust, remove or tamper with the safety valve. 3. Only replace the safety valve with the correct spare part as listed. 4. Do not fit any other safety valve of a higher pressure rating than the maximum working pressure of the tank.
<p>GENERAL SAFETY</p>	<p>Improper operation or maintenance may create a hazard.</p>	<p>Operators should be given adequate training in the safe use and maintenance of this equipment. Refer to Pressure Systems Safety Regulations 2000 Approved Code of Practice</p>

PART NUMBER CHART

Tank Code	Weight (kg)	Height (mm)
83C-210-CE	12.8	485
83Z-210-CE	12.8	485

SPECIFICATION

Tank Capacity	9.5 litres
Maximum working pressure	5.5 bar (80 psi)
Safety Valve set pressure	5.5 bar (80 psi)
Air Inlet Size	1/4" NPS or BSP (M)
Fluid Outlet Size	3/8" NPS or BSP(M)

MATERIALS OF CONSTRUCTION

Tank Shell	SA-620 H.R Steel Zinc plate 2.7 mm (8 Gauge)
Tanks Lid	83C SA-414 H.R Steel Zinc plate 4.2 mm (3/16")
	83Z 304 Stainless Steel 4.2 mm (8 Gauge)
Fluid Tube	83C Steel, Galvanised Zinc Plate
	83Z Stainless Steel
Air Manifold	CRS Zinc Plated
Fluid Outlet	83C Steel, Galvanised Zinc Plate
	83Z Stainless Steel
Lid Gasket	Santoprene

INSTALLATION

Mix and prepare material to be used according to manufacturer's instructions. Strain material through a fine mesh screen (60 or 90 mesh) to remove all foreign matter which is likely to enter and clog material passages.

1. Always relieve all air pressure in the tank. Pull the ring on the safety valve until pressure bleeds down.
2. Loosen thumb screws, tip lid clamps back and remove lid assembly.
3. Pour material into the tank. See accessories for disposable tank liners. A one gallon container may also be used by cutting 5 mm off end of fluid tube at an angle.
4. Replace the lid assembly and tighten clamps and thumb screws securely.
5. If possible, the air supply line should pass through an air filter/regulator to filter dirt from air and remove entrained water and oil. See **ACCESSORIES** for filters available. Connect the air supply hose to the air inlet fitting on tank regulator.
6. Connect the atomisation air hose to the air outlet fitting which is directly opposite air inlet fitting.
7. Connect material hose to the fluid outlet fitting.

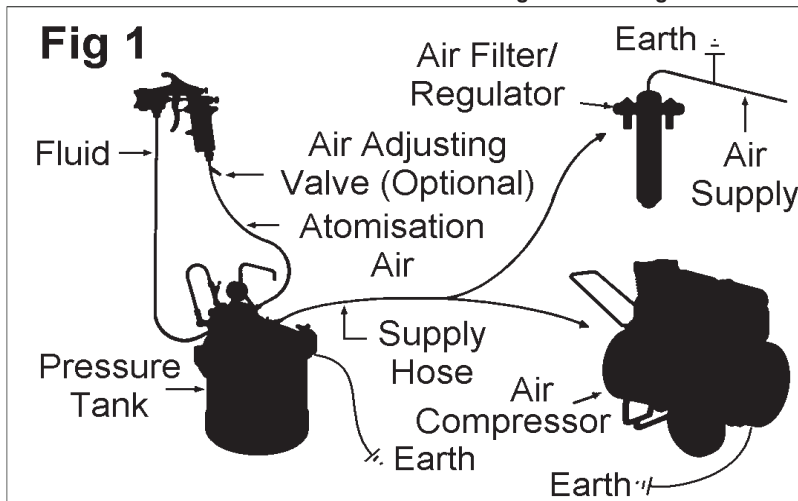
8. See Figure 1 for a typical set-up.

OPERATION

1. Turn on the air supply.
2. Turn T-Handle adjusting screw clockwise on the tank regulator to increase material pressure: turn it counter clockwise to decrease pressure. Maximum tank pressure is 5.5 bar
3. Atomization air for the spray gun can be adjusted at the gun by means of an air adjusting valve (HAV-501) or, with the additional air regulator PT-413 available as an accessory (see P6).
4. See Spray Gun instructions for operation of the gun.



If using an air quick disconnect (Q.D.) at the inlet to the regulator at the pressure tank, do not disconnect the Q.D. while the tank is pressurized, unless the ball valve is closed. Doing so will allow tank pressure to quickly relieve, and can potentially pull paint back through the air regulator and air motor, depending upon the liquid level in the tank. Tank pressure should always be relieved by turning the regulator fully



counterclockwise, or pulling the safety valve ring.



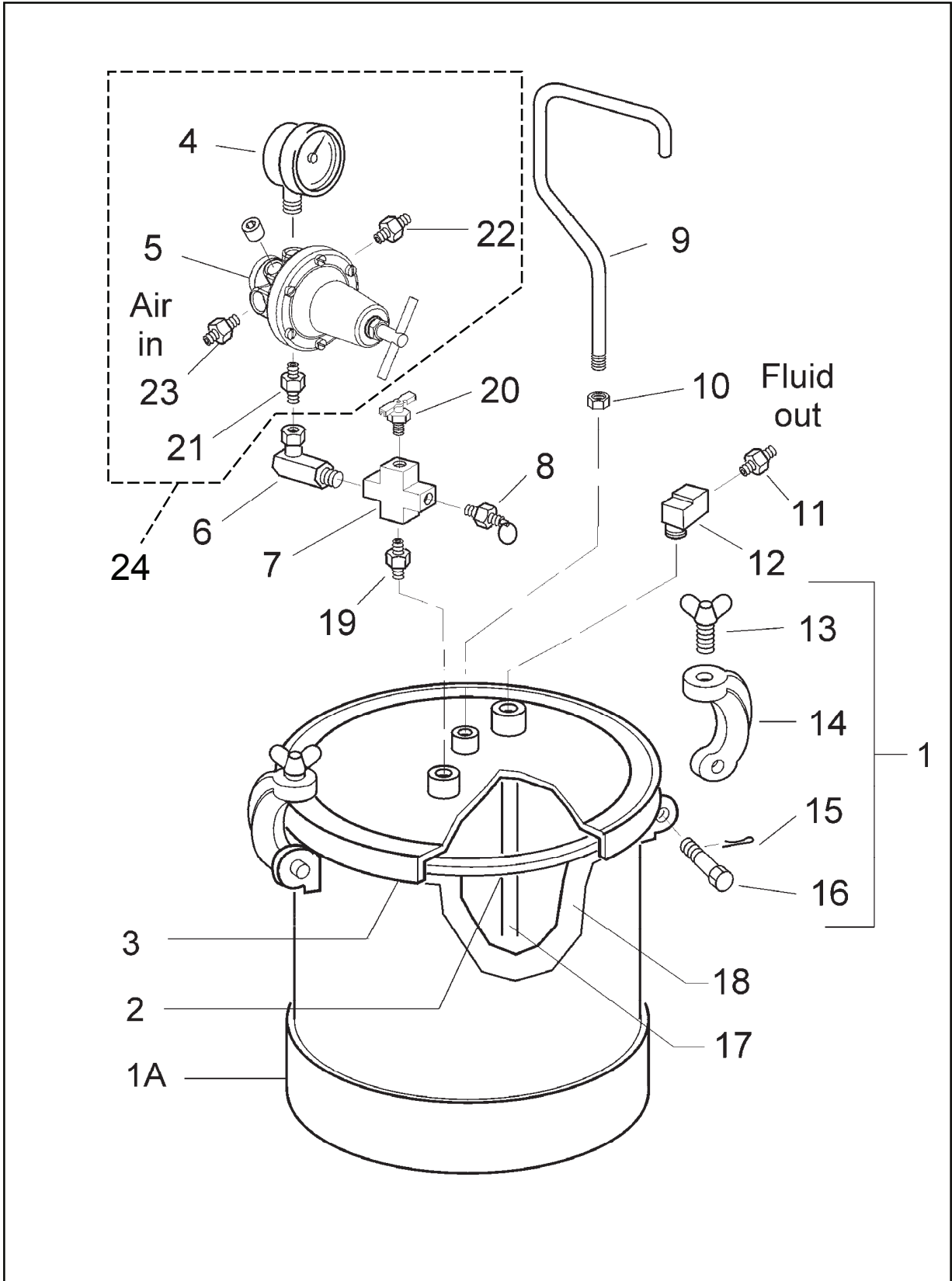
PREVENTIVE MAINTENANCE

To Clean Equipment:

1. Turn off the main air supply to the tank.
2. Turn T-handle adjusting screw on tank regulator counterclockwise until no spring tension is felt.
3. Relieve all pressure from the tank by pulling the ring on the safety valve until the pressure bleeds down.
4. Loosen thumb screws, tip clamps back and tip tank lid to one side.
5. Loosen spray gun air cap retaining ring about three turns.
6. To drain down the fluid supply hose to the gun, remove the Aircap and replace with about 2 turns. Turn on the air supply to spray gun and trigger the spaygun into the booth, which will create a back pressure in the fluid line and force the fluid back into the tank.
7. Empty and clean tank and parts which come in contact with material. Use a suitable cleaning material.
8. Pour cleaning material into the tank.
9. Replace lid and tighten thumb screws and clamps.
10. Spray until clean solution appears.
11. Repeat steps 5 through 7.

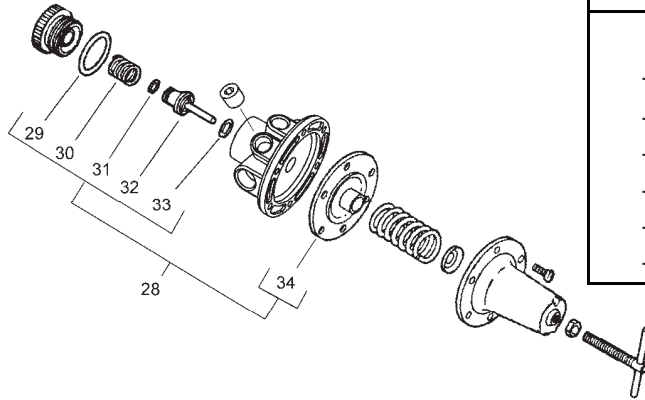
Keep the safety valve clean at all times. Check regularly by pulling the ring to ensure the valve is free to operate.

Ref. No.	Part No.	Description	Individual Parts Req.
1	PT-423	Tank Assy. Kit (Includes Ref Nos. 1A, 13, 14, 15 & 16)	1
1A	PT-420	Tank Shell	1
2	PT-33-1	Lid Gasket, Santoprene	1
3	PT-426	83C Lid, Zinc Plated	1
	PT-422	83Z Lid, Stainless Steel	1
4	83-2727	Gauge	1
5	HAR-511	Regulator	1
6	SSP-30-ZN	90° Swivel Adaptor 1/4' NPS (F) x 1/4' NPT (M)	1
7		Cross 1/4' NPT (F)	1
8	TIA-5080-CE	Safety Valve—80 psi	1
9	PT-32	Handle	1
10		Hex Nut 3/8' - 16	1
11	AD-11	83C (NPT) Nipple 3/8' NPT (M) x 3/8' NPT (M)	1
	2101007	83C (BSP) Nipple 3/8' NPT (M) x 3/8' BPS (M)	1
	SSP-459	83Z (NPT) Nipple 3/8' NPT (M) x 3/8' NPT (M) S.S	1
	CT-1164	83Z (BSP) Nipple 3/8" NPT (M) x 3/8" BSP (M) SS	1
12	SSP-1939	Street Elbow 3/8' NPT (F) x 3/8' (M) S.S	1
13	PT-79	Thumb Screw	4
14	————	Yoke Assembly	4
15	————	Cotter Pin, 3/32 x 1"	4
16	————	Hinge Pin	4
17	PT-31	83C Fluid Tube	1
17	QMS-9-1	83Z Fluid Tube, S.S	1
18	PT-78-K10 or PT-78-K60	Tank Liner (Kit of 10 or 60)	1
19	SSP-462-ZN	Hex Nipple 1/4' NPT (M)	1
20	SS-2707	Air Relief Valve	1
21	83-4233	D.M Nipple (83C-210)	1
22	H-2008	(NPS) Nipple 1/4 ' NPT (M) x 1/4' NPS (M)	1
	2101004	(BSP) Nipple 1/4 ' NPT (M) x 1/4' BSP (M)	1
23	83-4233	(NPS) Nipple 3/8' NPT (M) x 1/4' NPS (M)	1
	2101005	(BSP) Nipple 3/8' NPT (M) x 1/4' BSP (M)	1
24	85-451	Air Control Assembly	1



Exploded view of 83C & 83Z-210-CE Pressure Tank

Ref. 10 HAR-511 REGULATOR ASSEMBLIES



Ref. No.	Part No.	Description	Individual Parts Req.
28	KK-4977	Repair Kit	1
+ 29	—	“O” Ring	1
+ 30	—	Spring	1
+ 31	—	“O” Ring	1
+ 32	—	Valve	1
+ 33	—	“O” Ring	1
+ 34	—	Diaphragm Assembly	1

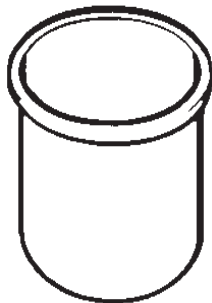
Service Checks

Condition	Cause	Correction
Air escaping from port on Regulator cap	Broken or damaged diaphragm (ref No. 34)	Replace diaphragm
Pressure creepage registered on gauge	Dirty or worn valve seat in regulator	Clean or replace valve seat
Air leakage from Safety Valve below maximum working pressure	The Valve seat is dirty or damaged, or the valve stem assy is seized	Replace Safety Valve. Do not attempt to repair.
Fluid or air leak at Lid Gasket	Defective Lid Gasket (ref. No. 2) Thumb Screws not sufficiently tight	Replace gasket Tighten Screws

Note: Occasionally check gauge (Ref. No. 9). The needle should return to zero with no pressure on the gauge.

ACCESSORIES

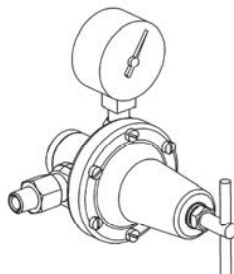
PT-78-K10 & PT-78-K60 Liner.



A moulded polyethylene tank liner to reduce tank clean up time. The liner is made of tough, durable, leak proof polyethylene and can be re-used. May be used with all materials that are compatible with polyethylene. (Available in packages of 10 and 60 only.)

PT-413 Air Regulator Kit.

Used to convert single regulated tanks (fluid only), to dual regulation (fluid and air). Used with portable air compressors or with air lines when no other means (air transformers or regulators) of air pressure regulation is available.



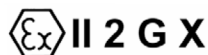
Ball Valves.

To add a Ball valve to the Air Inlet, remove Nipple (ref. No. 29). Replace with Ball Valve VA-5432-K (NPS) or VA-5427-K (BSP).

VA-540 Fluid outlet shut-off valve.

To install, remove the adapter (Ref. No. 16), replace with Ball valve VA-5429-K (BSP) or VA-5424-K (NPS) (taper thread to regulator).

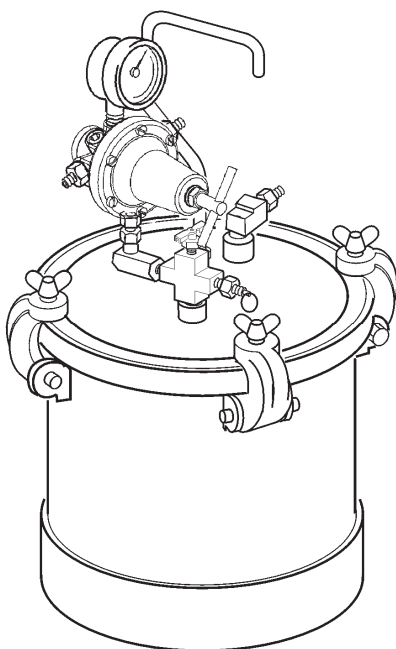
Using these valves will simplify attachment of air and fluid hoses.



BINKS®

TRYKTANK MODEL 83C-210-CE OG 83Z-210-CE lille tank – op til 9,5 liter (2,8 US gallons)

VIGTIGT: Læs og følg vejledningen og alle **SIKKERHEDSFORANSTALTNINGERNE** nøje, før du bruger dette udstyr. Opbevares til senere brug.



BESKRIVELSE

Disse tryktanke er CE-mærket i overensstemmelse med direktivet om trykbærende udstyr 97/23/EF og ATEX-direktivet 94/9/EF, kat. 2 G X til brug i zone 1 og 2. De er egnet til brug med brændbare og vandbaserede (kun 83Z) materialer.

Disse tryktanke er udformet som en trykbeholder, der leverer væskeformigt materiale ved et konstant forudindstillet tryk på op til 5,5 bar (80 psi). Tankene er bygget efter ASME-specifikationerne. 83C-modellerne er fremstillet af elforzinket kulstofstål. 83Z-modellerne har væskekanaler og dæksel i rustfrit stål. Der medfølger en indsats af polyethylen for nem rengøring.

Modeller:

83C-210-CE: Konstruktion (dæksel og yderklædning) af elforzinket kulstofstål med én regulering.

83Z-210-CE: Yderklædning af elforzinket kulstofstål med én regulering og væskekanaler og dæksel af rustfrit stål til vandbaserede materialer.

ADVARSEL

Opløsningsmidler med halogenerede carbonhydrider – f.eks.: 1,1,1-trichloroethan og methylenklorid – kan gennemgå en kemisk reaktion med aluminiumsdele og -komponenter og forårsage eksplosionsfare. Disse opløsningsmidler korroderer også tankens galvanisering. Læs mærkaten eller databladet til materialet. Materialer, som indeholder disse opløsningsmidler, må ikke anvendes sammen med disse tryktanke.

FORSIGTIG

Se specifikationerne for at sørge for, at de anvendte væsker og opløsningsmidler er kemisk kompatible med de våde dele af tanken. Læs altid den medfølgende litteratur fra producenten eller leverandørens sikkerhedsdatablad (MSDS), før væsker eller opløsningsmidler fyldes i tanken.

ADVARSEL

Trykbelastninger, der ligger over den dimensionerede belastning, eller ændringer af tryktanken kan forårsage brud eller eksplosion.

En sikkerhedsventil beskytter tanken mod overtryk. Når tanken anvendes, skal du trække i ringen på sikkerhedsventilen for at kontrollere, at den bevæger sig frit og udløser lufttrykket. Hvis ventilen sidder fast, ikke bevæger sig frit eller ikke udløser lufttrykket, skal den udskiftes. Ventilen må ikke fjernes, ændres eller udskiftes med andre modeller.

• Ændringer af tanken vil svække den. Der må ikke bores i, svejdes på eller på anden måde ændres på tanken.

ADVARSEL

Tankens maksimale arbejdsstryk er 5,5 bar (80 psi).

Der kan opstå **statisk elektricitet**, når væsken strømmer igennem tryktanken og slangen. Hvis alle dele ikke er jordforbundet korrekt, kan der opstå gnister. Gnister kan antænde dampe fra opløsningsmidler og sprøjtevæske.

Tryktanken jordforbindes ved at anvende ledende luftslanger og/eller en ATEX-godkendt jordklemme fra tanken og den anden ende til en ægte jordforbindelse.

Hvis der opstår gnister eller små stød på grund af statisk elektricitet, når udstyret anvendes, standses sprøjtningen straks.

ADVARSEL

Kontroller jordforbindelsen, før udstyret tages i brug igen.

Procedure for trykudløsning

Højt tryk kan forårsage alvorlige skader. Trykket bliver i en tryktank, når systemet er slukket. Før dækslet forsøges fjernet, skal trykket udløses på følgende måde:

1. Luk for hovedluftforsyningen til tanken.
2. Luk lufttilførselsventilen, som sidder på tankens luftindtagsmanifold.
3. Tap luft af tanken ved at dreje udluftningsventilens fingerskrue mod uret. Vent, indtil luften er tappet af gennem ventilen, før tryktankens dæksel fjernes.
4. Lad udluftningsventilen stå åben, indtil dækslet er monteret igen.

SIKKERHEDSFORANSTALTNINGER

Denne manual indeholder oplysninger, som det er vigtigt, at du kender og forstår. Oplysningerne har at gøre med BRUGERSIKKERHED og at FOREBYGGE PROBLEMER MED Udstyret. Vi bruger følgende symboler, så du nemt kan finde oplysningerne. Vær især opmærksom på disse afsnit.



Vigtige oplysninger, som fortæller, hvordan du forebygger skader på udstyret, eller hvordan du undgår en situation, der kan forårsage mindre personskader.







Vigtige sikkerhedsoplysninger – en fare, som kan forårsage alvorlige personskader eller dødsfald.

BEMÆRK

Oplysninger, du især skal være opmærksom på.



Nedenstående kan udgøre en fare under normal brug af dette udstyr. Læs den følgende oversigt.

FARE	ÅRSAG	SIKKERHEDSFORANSTALTNINGER
BRAND 	Opløsningsmidler og coatings kan være meget brandfarlige, især når de sprøjtes ud.	<ol style="list-style-type: none"> Der skal være tilstrækkelig udsugning til at holde luften fri for ophobning af brændbare dampe. Rygning må aldrig være tilladt i sprøjteområdet. Der skal være brandslukningsudstyr i sprøjteområdet.
BRAND – TRYKTANK 	Dampe fra brandbare væsker kan bryde i brand eller eksplosioner	<ol style="list-style-type: none"> Hold tanken på mindst 3 meters afstand af antændelseskilder som varme overflader, mekaniske gnister og elektrisk udstyr, som danner gnister (ikke eksplosionssikret).
INDÅNDING AF GIFTIGE STOFFER 	Visse materialer kan være skadelige, hvis de indåndes, eller hvis de kommer i kontakt med huden.	<ol style="list-style-type: none"> Følg kravene i coatingleverandørens sikkerhedsdatablad (MSDS). Der skal være tilstrækkelig udsugning til at holde luften fri for ophobning af giftige materialer. Brug støv- eller filtermaske, når der er risiko for at indånde sprøjtede materialer. Masken skal være egnet til det sprøjtede materiale.
EKSPLOSION, TRYKTANK – BRUD 	Ændringer af tryktanken kan svække den.	<ol style="list-style-type: none"> Der må ikke bores i, svejses på eller på anden måde ændres på tanken. Sikkerhedsventilen må ikke justeres, fjernes eller på anden måde modificeres. Sikkerhedsventilen må kun udskiftes med den korrekte reservedel ifølge liste. Der må ikke monteres en anden sikkerhedsventil, som er egnet til højere tryk end tankens maksimale arbejdstryk.
GENEREL SIKKERHED	Forkert brug eller vedligeholdelse kan udgøre en fare.	Operatøren bør uddannes tilstrækkeligt i, hvordan man anvender og vedligeholder sprøjteudstyret på den sikreste måde.

RESERVELSDIAGRAM

Tankkode	Vægt (kg)	Højde (mm)
83C-210-CE	12,8	485
83Z-210-CE	12,8	485

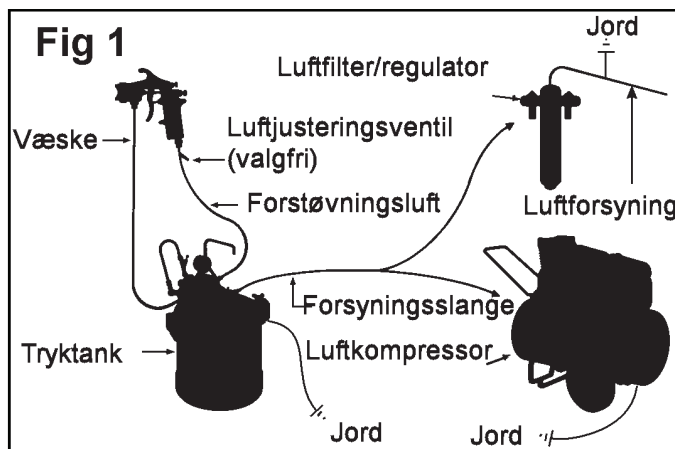
SPECIFIKATION

Tankkapacitet	9,5 liter
Maksimalt arbejdstryk	5,5 bar (80 psi)
Sikkerhedsventiltryk	5,5 bar (80 psi)
Luftindtags størrelse	1/4" NPS eller BSP (M)
Væskeudgangs størrelse	3/8" NPS eller BSP (M)

INSTALLATION

Bland og klargør det materiale, der skal anvendes, efter producentens anvisninger. Si materialet igennem den fintmaskede sigte (maskevidde 60 eller 90) for at fjerne alle fremmedlegemer, som kan komme ind i materialekanalerne og tilstoppe dem.

1. Fjern altid alt lufttrykket i tanken. Træk i ringen på sikkerhedsventilen, indtil trykket aftager.
2. Løsn fingerskruerne, vip dækselbøjlerne tilbage, og tag dækslet af.
3. Hæld materiale i tanken. Se tilbehør for løse tankindsatser. Der kan også anvendes en beholder til 3,8 liter (1 gallon) ved at skære 5 mm af enden af væskeslangen på skrå.
4. Sæt dækslet på igen, og spænd bøjlerne og fingerskruerne.
5. Luftindtaget skal, hvis det er muligt, passere igennem et luftfilter/en regulator for at filtrere snavset fra luften og fjerne iblandet vand og olie. Se TILBEHØR for filtre. Monter luftforsyningsslangen på luftindtagsfittingen på tankens regulator.
6. Monter forstøvningsluftslangen på luftudgangsfittingen, som sidder direkte over for luftindtagsfittingen.
7. Monter materialeslangen på væskeudgangsfittingen.
8. Se en typisk opstilling i figur 1.



ANVENDTE MATERIALER

Tankens yderklædning	SA-620 galvaniseret HR-stål 2,7 mm (8 gauge)	
Tankdæksel	83C	SA-414 galvaniseret HR-stål 4,2 mm (3/16")
	83Z	304 rustfrit stål 4,2 mm (8 gauge)
Væskeslange	83C	Stål, galvaniseret
	83Z	Rustfrit stål
Luftmanifold	CRS, galvaniseret	
Væskeudgang	83C	Stål, galvaniseret
	83Z	Rustfrit stål
Dækselpakning	Santopren	

BETJENING

1. Tænd for luftforsyningen.
2. Drej T-håndtagets justeringsskruer på tankregulatoren med uret for at øge materialetrykket, og drej den mod uret for at mindske trykket. Det maksimale tanktryk er 5,5 bar.
3. Forstøvningsluften til sprøjtepipstolen kan justeres ved pipstolen ved hjælp af en luftreguleringsventil (HAV-501) eller med den ekstra luftregulator PT-413, der fås som tilbehør (se s. 7).
4. Se vejledningen til sprøjtepipstolen for oplysninger om betjening af



sprøjtepipstolen.

Hvis du anvender et QD-system (quick disconnect) ved indtaget til regulatoren ved tryktanken, må du ikke frakoble QD-systemet, når der er tryk på tanken, medmindre kugleventilen er lukket.

Gør du det, udløses trykket i tanken hurtigt og kan trække maling tilbage gennem luftregulatoren og luftmotoren, alt efter væskestanden i tanken. Tanktrykket skal altid udløses ved at dreje regulatoren helt mod uret eller ved at trække i sikkerhedsventilringen.



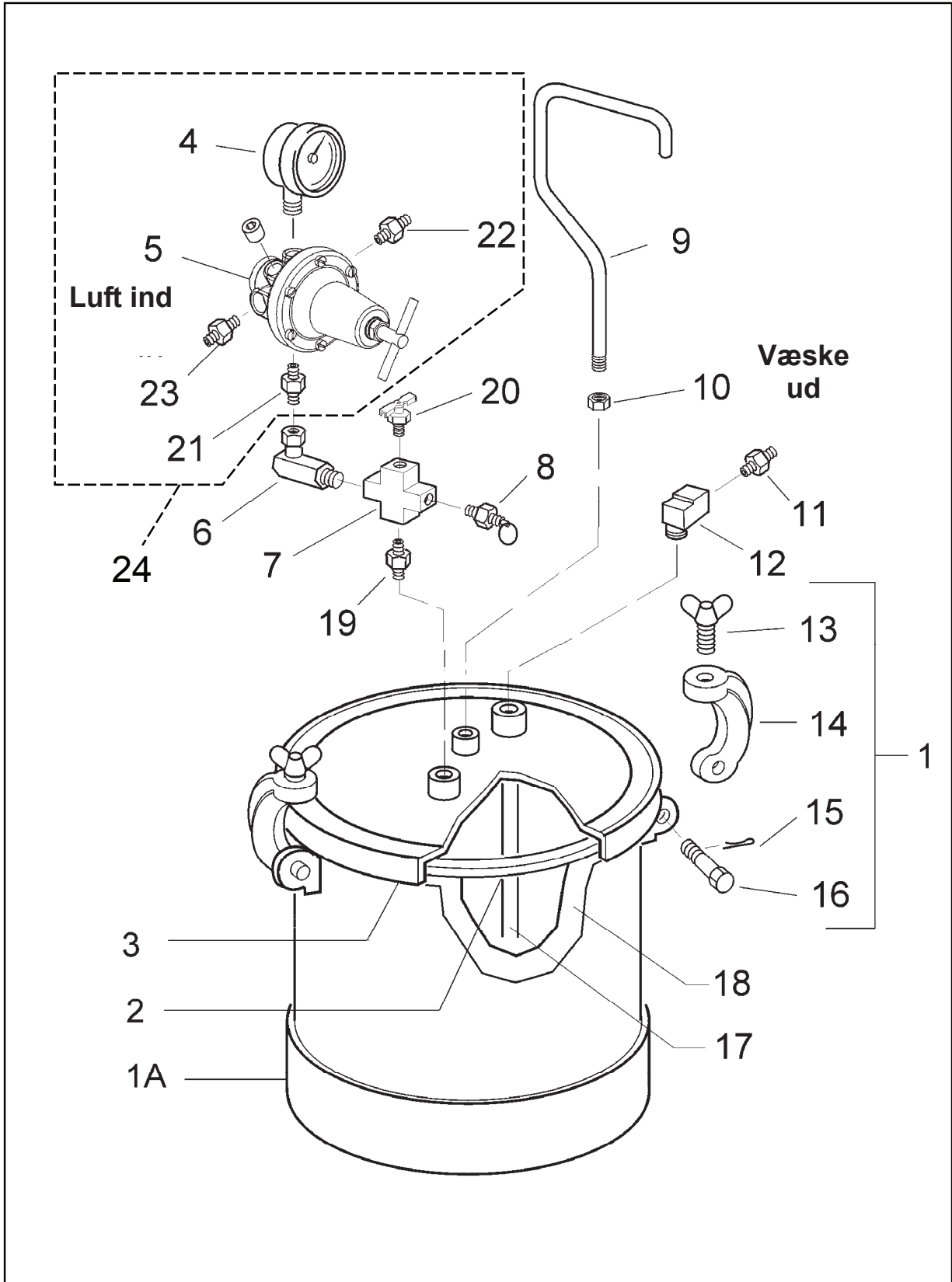
FOREBYGGENDE VEDLIGEHOLDELSE

Rengøring af udstyret:

1. Luk for hovedluftforsyningen til tanken.
2. Drej T-håndtagets justeringsskruer på tankregulatoren mod uret, indtil der ikke mærkes nogen fjederbelastning.
3. Udløs alt trykket fra tanken ved at trække i ringen på sikkerhedsventilen, indtil trykket udløses.
4. Løsn fingerskruerne, vip bøjlerne tilbage, og vip tankens dæksel til side.
5. Løsn holderingen til sprøjtepipstolens lufthætte ca. tre omdrejninger.
6. Væskeforsyningsslangen til pipstolen tømmes ved at fjerne lufthætten og skrue den til igen med to omdrejninger. Tænd luftforsyningen til sprøjtepipstolen, og tryk på sprøjtepipstolens aftrækker, mens den peger ind i sprøjterummet. Det vil skabe et kontratryk i væskelinjen og tvinge væsken tilbage i tanken.
7. Tøm og rengør tanken og de dele, der kommer i kontakt med materialet. Brug et egnet rengøringsmiddel.
8. Hæld rengøringsmiddel i tanken.
9. Monter dækslet, og spænd fingerskruerne og bøjlerne.
10. Sprøjt, indtil opløsningen er ren.
11. Gentag trin 5-7.

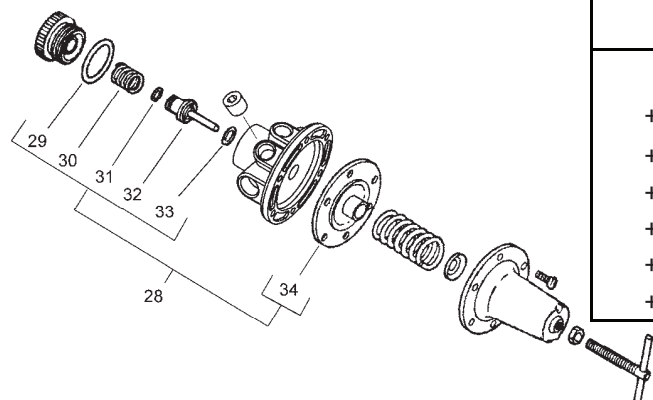
Hold altid sikkerhedsventilen ren. Kontroller den med jævne mellemrum ved at trække i ringen for at sikre, at ventilen bevæger sig frit.

Ref. nr.	Delnr.	Beskrivelse	Antal krævede dele
1	PT-423	Tankkit (omf. ref.nr. 1A, 13, 14, 15 og 16)	1
1A	PT-420	Tankens yderklædning	1
2	PT-33-1	Dækselpakning, santopren	1
3	PT-426	83C Dæksel, galvaniseret	1
	PT-422	83Z Dæksel, rustfrit stål	1
4	83-2727	Manometer	1
5	HAR-511	Regulator	1
6	SSP-30-ZN	90° drejeadapter 1/4" NPS (F) x 1/4" NPT (M)	1
7		Kors 1/4" NPT (F)	1
8	TIA-5080-CE	Sikkerhedsventil – 80 psi	1
9	PT-32	Håndtag	1
10		Sekskantmøtrik 3/8" – 16	1
11	AD-11	83C (NPT) Nippel 3/8" NPT (M) x 3/8" NPT (M)	1
	2101007	83C (BSP) Nippel 3/8" NPT (M) x 3/8" BSP (M)	1
	SSP-459	83Z (NPT) Nippel 3/8" NPT (M) x 3/8" NPT (M) rustfrit stål	1
	CT-1164	83Z (BSP) Nippel 3/8" NPT (M) x 3/8" BSP (M) rustfrit stål	1
12	SSP-1939	Rørbøjning 3/8" NPT (F) x 3/8" (M) rustfrit stål	1
13	PT-79	Fingerskrue	4
14	————	Gaffel	4
15	————	Splitpind, 3/32 x 1"	4
16	————	Hængselpind	4
17	PT-31	83C Væskeslange	1
17	QMS-9-1	83Z Væskeslange, rustfrit stål	1
18	PT-78-K10 eller PT-78-K60	Tankindsats (sæt med 10 eller 60)	1
19	SSP-462-ZN	Brystnippel 1/4" NPT (M)	1
20	SS-2707	Luftudløsningsventil	1
21	83-4233	DM-nippel (83C-210)	1
22	H-2008	(NPS) Nippel 1/4" NPT (M) x 1/4" NPS (M)	1
	2101004	(BSP) Nippel 1/4" NPT (M) x 1/4" BSP (M)	1
23	83-4233	(NPS) Nippel 3/8" NPT (M) x 1/4" NPS (M)	1
	2101005	(BSP) Nippel 3/8" NPT (M) x 1/4" BSP (M)	1
24	85-451	Air indstillingsenhed	1



Tegning af delene i tryktank model 83C og model 83Z-210-CE

Ref. 10 HAR-511-REGULATORER



Ref.nr.	Delnr.	Beskrivelse	Antal krævede dele
28	KK-4977	Reparationsæt	1
+ 29	—	“O”-ring	1
+ 30	—	Fjeder	1
+ 31	—	“O”-ring	1
+ 32	—	Ventil	1
+ 33	—	“O”-ring	1
+ 34	—	Membran	1

Servicekontroller

Tilstand	Årsag	Udbedring
Der slipper luft ud fra port på regulatorhætte.	Membran er knækket eller på anden måde beskadiget (ref.nr. 34).	Udskift membran.
Gradvis trykændring registreret på manometer.	Snavset eller slidt ventil sæde i regulator.	Rengør eller udskift ventil sæde.
Luftlækage fra sikkerhedsventil under maksimalt arbejdstryk.	Ventilsædet er snavset eller beskadiget, eller aksel sidder fast.	Udskift sikkerhedsventil. Sikkerhedsventilen må ikke forsøges repareret.
Væske- eller luftlækage ved dækselpakning.	Defekt dækselpakning (ref.nr. 2). Fingerskruer ikke tilspændt tilstrækkeligt.	Udskift pakning. Tilspænd skruer.

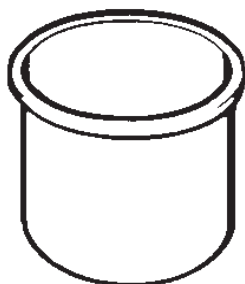
Bemærk: Kontroller manometeret af og til (ref.nr. 4). Nålen skal gå tilbage på nul, når der ikke er tryk på manometeret.

TILBEHØR

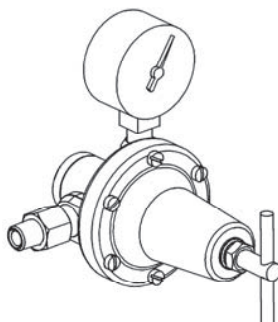
PT-78-K10- og PT-78-K60-indsats.

En formet polyethylenindsats, som reducerer den tid, der skal anvendes til rengøring af tanken. Indsatsen er af hårdt, slidstærkt, lækagetæt polyethylen og kan genbruges. Må anvendes med alle materialer, som er kompatible med polyethylen.

(Fås kun i pakninger med 10 og 60).

**PT-413-luftregulatorsæt.**

Bruges til at omdanne tanke med én regulering (kun væske), til tanke med to reguleringer (væske og luft). Bruges til transportable kompressorer eller med luftlinjer, hvor der ikke er mulighed for at regulere lufttrykket (lufttransformere eller regulatorer).

**Kugleventiler.**

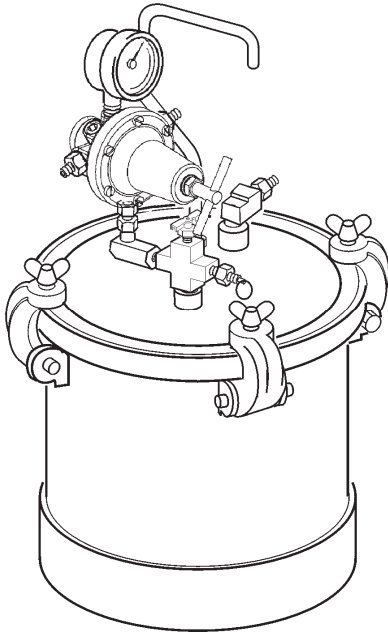
Hvis der skal monteres en kugleventil på luftindtaget, fjernes niplen (ref.nr. 23). Erstattes med kugleventil VA-5432-K (NPS) eller VA-5427-K (BSP).

VA-540-lukkeventil til væskeudgang. Monteres ved at fjerne adapteren (ref.nr. 11) og erstatte med kugleventil VA-5429-K (BSP) eller VA-5424-K (NPS) (konisk gevind til regulator).

Når disse ventiler anvendes, bliver monteringen af luft- og væskeslanger enklere.

83C-210-CE & 83Z-210-CE DRUCKBEHÄLTER Kleiner Behälter – maximal 9,5 l

WICHTIG: Lesen und halten Sie sich an alle Anweisungen und **SICHERHEITSVORKEHRUNGEN**, bevor Sie das Gerät einsetzen. Bewahren Sie sie für späteren Bezug auf.



BESCHREIBUNG

Diese Druckbehälter sind mit der CE-Marke versehen gemäß der Richtlinie für Druckgeräte 97/23/EG und der ATEX-Richtlinie 94/9/EG Kategorie 2 G X für eine Verwendung in Zone 1 und 2. Sie sind für brennbare und wasserlösliche (nur 83Z) Materialien geeignet.

Diese Druckbehälter sind als Druckbehälter konzipiert, um Flüssigmaterialien bei einem konstanten voreingestellten Druck bis zu 5,5 bar (80 psi) bereitzustellen. Die Konstruktion der Behälter entspricht den ASME-Spezifikationen. Die Modelle 83C sind aus elektrisch verzinktem, unlegiertem Stahl konstruiert. Die Modelle 83Z haben Flüssigkeitsdurchgänge und einen Deckel aus Edelstahl. Eine Polyethylenauskleidung ist für eine einfache Reinigung enthalten.

Modelle:

83C-210-CE: Ein Regler, Deckel und Gehäuse aus elektrisch verzinktem, unlegiertem Stahl.

83Z-210-CE: Ein Regler, Gehäuse aus elektrisch verzinktem, unlegiertem Stahl, Flüssigkeitsdurchgänge und Deckel aus Edelstahl für wasserlösliche Materialien.

Halogenhaltige Kohlenwasserstofflösungsmittel, z. B.: 1,1,1 - Trichloroethan und Methylenchloride – können chemisch mit Aluminiumteilen und -bestandteilen reagieren und eine Explosionsgefahr darstellen. Diese Lösungsmittel erzeugen bei der verzinkten Behälterbeschichtung auch Korrosion. Lesen Sie das Etikett oder das Datenblatt für das Material. **Verwenden Sie keine Materialien, die diese Lösungsmittel enthalten, mit diesen Druckbehältern.**

VORSICHT:

Lesen Sie die Tabelle mit den **technischen Angaben**, um sicherzustellen, dass die verwendeten Flüssigkeiten und Lösungsmittel mit den Nassteilen des Behälters kompatibel sind. Lesen Sie immer die Unterlagen und die Material-sicherheitsdatenblätter des Herstellers, bevor Sie Flüssigkeiten oder Lösungsmittel in den Tank einfüllen.

Luftdrucklasten, die höher als die ausgelegten Lasten sind, oder Modifikationen am druckgespeisten Behälter, können dazu führen, dass der Behälter reißt oder explodiert.

Ein Sicherheitsventil schützt den Behälter vor einem Überdruck. Ziehen Sie bei jedem Einsatz den Ring am Sicherheitsventil und stellen Sie sicher, dass es ungehindert funktioniert und den Druck ablässt. Wenn das Ventil klebt, nicht ungehindert funktioniert oder den Druck nicht ablässt, muss es ausgewechselt werden. Dieses Ventil sollte nicht umgangen, modifiziert oder ersetzt werden.

Änderungen am Luftbehälter schwächen ihn. Sie sollten nie Löcher in den Behälter bohren, ihn schweißen oder modifizieren.

WARNUNG:

Der maximale Arbeitsdruck des Behälters beträgt 5,5 bar (80 psi).

WARNUNG:

Statische Elektrizität kann durch den Fluss der Flüssigkeiten durch den Druckbehälter und den Schlauch entstehen. Wenn alle Teile nicht richtig geerdet sind, können Funken entstehen. Funken können Dämpfe von Lösungsmitteln und versprühten Flüssigkeiten entzünden.

Erden Sie den Druckbehälter mit leitenden Luftschläuchen und/oder einer ATEX-zugelassenen Erdungsklemme zwischen Behälter und der echten Erde.

Wenn Sie statische Funken oder einen leichten Schlag feststellen, wenn Sie das Gerät verwenden, hören Sie sofort mit dem Sprühen auf. Prüfen Sie die Kontinuität zur Erde, bevor Sie das Gerät weiter verwenden.

WARNUNG:

Ablassen des Drucks

Hohe Drücke können schwere Verletzungen verursachen. Der Druckbehälter steht weiterhin unter Druck, wenn Sie die Anlage abschalten. Vor dem Abnehmen der Abdeckung müssen Sie den Druck mit den folgenden Schritten ablassen:

1. Schalten Sie die Hauptluftzufuhr zum Behälter ab.
2. Schließen Sie das Lufteinlassventil, das sich am Luftverteiler des Behälters befindet.
3. Lassen Sie die Luft aus dem Behälter, indem Sie die Daumenschraube am Luftablassventil nach links drehen. Warten Sie, bis alle Luft durch das Ventil abgelassen ist, bevor Sie die Behälterabdeckung abnehmen.
4. Lassen Sie das Luftablassventil offen, bis Sie die Abdeckung wieder aufsetzen.

SICHERHEITSVORKEHRUNGEN

Diese Anleitung enthält wichtige Informationen, die Sie kennen und verstehen müssen. Diese Informationen beziehen sich auf die BENUTZERSICHERHEIT und die VORBEUGUNG VON GERÄTEPROBLEMEN. Damit Sie die Informationen leichter erkennen können, verwenden wir die folgenden Symbole. Lesen Sie diese Abschnitte sorgfältig durch.



Wichtige Informationen: Hinweise, wie Sie Geräteschäden oder Situationen vermeiden, die zu Verletzungen führen können.



Wichtige Sicherheitsinformationen: Eine Gefahr, die schwere oder tödliche Verletzungen verursachen kann.

HINWEIS

Informationen, die Sie beachten sollten.



Die folgenden Gefahren können bei einem normalen Einsatz des Geräts auftreten. Lesen Sie bitte die folgende Tabelle.





GEFAHR	URSACHE	SICHERHEITSVORKEHRUNGEN
FEUER 	Lösungsmittel und Beschichtungen können schnell entflammbar sein, besonders wenn diese Materialien versprüht werden.	<ol style="list-style-type: none"> 1. Ausreichende Entlüftung muss vorhanden sein, damit Ansammlungen von flammbaren Dämpfen vermieden werden 2. Rauchen muss immer im Sprühbereich untersagt sein. 3. Feuerlöscher müssen im Sprühbereich installiert sein.
FEUER - DRUCKBEHÄLTER 	Dämpfe von flammbaren Flüssigkeiten können Feuer fangen und explodieren	<ol style="list-style-type: none"> 1. Halten Sie den Behälter mindestens 3 m von Zündquellen, einschließlich heißen Oberflächen, mechanischen Funken und schmorenden Elektrogeräten (nicht explosive Konzentration).
EINATMEN GIFTIGER SUBSTANZEN 	Bestimmte Materialien können schädlich sein, wenn sie eingeatmet werden oder mit der Haut in Berührung kommen.	<ol style="list-style-type: none"> 1. Folgen Sie den Anweisungen im Materialsicherheitsdatenblatt des Herstellers des Beschichtungsmaterials. 2. Ausreichender Abzug muss vorhanden sein, um die Ansammlung giftiger Materialien in der Luft zu verhindern. 3. Verwenden Sie eine Maske oder ein Beatmungsgerät, wenn die Gefahr besteht, dass Sie Sprühmaterialien einatmen. Die Maske muss für die Sprühmaterialien geeignet sein.
EXPLOSION DES DRUCKBEHÄLTERS BEI EINER MODIFIKATION IM DRUCKBEHÄLTER 	Modifikationen am Druckbehälter können ihn schwächen.	<ol style="list-style-type: none"> 1. Sie sollten nie Löcher in den Behälter bohren, ihn schweißen oder modifizieren. 2. Stellen Sie nie das Sicherheitsventil ein, entfernen oder verändern Sie es. 3. Wechseln Sie das Sicherheitsventil nur mit dem richtigen Ersatzteil aus (siehe Tabelle). 4. Bauen Sie kein Sicherheitsventil ein, das eine höhere Druckleistung als der maximale Arbeitsdruck des Behälters hat.
ALLGEMEINE SICHERHEIT	Falscher Einsatz oder falsche Wartung können eine Gefahr darstellen.	Mitarbeiter sollten umfassend in der sicheren Verwendung und Wartung des Geräts geschult werden.

TABELLE DER ARTIKELNUMMERN

Behältercode	Gewicht (kg)	Höhe (mm)
83C-210-CE	12,8	485
83Z-210-CE	12,8	485

TECHNISCHE ANGABEN

Behälterkapazität	9,5 Liter
Maximaler Betriebsdruck	5,5 bar
Eingestellter Druck des Sicherheitsventils	5,5 bar
Lufteinlassgröße	1/4 Zoll NPS oder BSP (Außengewinde)
Flüssigkeitsauslassgröße	3/8 Zoll NPS oder BSP (Außengewinde)

FERTIGUNGSMATERIALIEN

Behälteraußenhaut	SA-620 verzinkter Stahl 2,7 mm (8er Stahl)	
Behälterdeckel	83 C	SA-414 verzinkter Stahl 4,2 mm
	83Z	304 Edelstahl, 4,2 mm (8er Stahl)
Flüssigkeitsrohr	83 C	Stahl, galvanisiertes Zinkblech
	83Z	Edelstahl
Luftverteiler	CRS Zinkblech	
Flüssigkeitsauslass	83 C	Stahl, galvanisiertes Zinkblech
	83Z	Edelstahl
Deckeldichtungsring	Santoprene	

MONTAGE

Mischen und bereiten Sie die Materialien gemäß der Anweisungen des Herstellers. Filtern Sie das Material durch ein feines Sieb (60 oder 90 Netz), um alle Fremdkörper zu entfernen, die in die Flüssigkeitspassagen eindringen und sie verstopfen können.

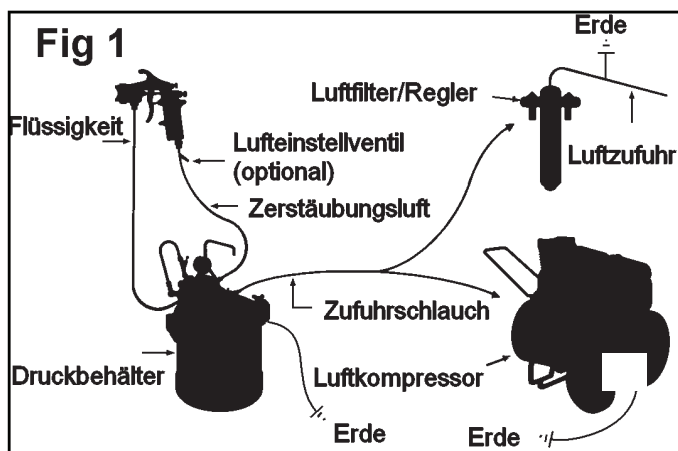
- Lassen Sie immer den Luftdruck aus dem Behälter ab. Ziehen Sie den Ring am Sicherheitsventil, bis der Druck abgelassen ist.
- Lösen Sie die Daumenschrauben, kippen Sie die Deckelklemmen nach hinten und nehmen Sie den Deckel ab.
- Gießen Sie das Material in den Behälter. Siehe Zubehör für Einmalbehälterauskleidungen. Sie können auch einen Behälter mit 4,5 l verwenden, wenn Sie das Ende des Flüssigkeitsschlauches um 5 mm in einem Winkel kürzen.
- Setzen Sie den Deckel auf und ziehen Sie die Klemmen und Daumenschrauben fest.
- Die Luftzufuhrleitung sollte (falls möglich) einen Luftfilter/Regler durchlaufen, um Schmutz aus der Luft zu filtern und Wasser und Öl zu entfernen. Die verfügbaren Filter finden Sie unter **ZUBEHÖR**. Schließen Sie den Luftzufuhrschlauch am Lufteinlassanschluss am Behälterregler an.
- Schließen Sie den Zerstäubungsluftschlauch an den Luftauslassanschluss an, der sich direkt gegenüber dem Lufteinlassanschluss befindet.
- Schließen Sie den Materialschlauch an den Flüssigkeitsauslassanschluss.
- Ein typisches Setup wird in Abbildung 1 dargestellt.

VERWENDUNG

- Schalten Sie die Luftzufuhr ein.
- Drehen Sie die Einstellschraube des T-Griffs am Behälter nach rechts, um den Materialdruck zu erhöhen: Drehen Sie die Schraube nach links, um den Druck zu verringern. Der maximale Behälterdruck beträgt 5,5 bar.
- Die Zerstäubungsluft für die Spritzpistole kann an der Spritzpistole mit einem Luftstellventil (HAV-501) oder mit einem zusätzlichen Luftregler PT-413 (als Zubehör erhältlich, siehe Seite 6) eingestellt werden.
- Weitere Informationen zur Verwendung der Spritzpistole finden Sie in den Anweisungen der Spritzpistole.



Wenn Sie einen Luftschnellwechsellanschluss am Einlass zum Regler am Druckbehälter verwenden, schließen Sie den Schnellwechsellanschluss nur ab, wenn der Behälter unter Druck steht, wenn das Kugelventil geschlossen ist. Der Behälterdruck wird dann schnell abgelassen, und dies kann dazu führen, dass Lack in den Regler und Luftmotor gesaugt wird, abhängig vom Flüssigkeitsstand im Behälter. Wenn Sie den Behälterdruck ablassen möchten, drehen Sie den Regler ganz nach links oder ziehen Sie am Ring des Sicherheitsventils.



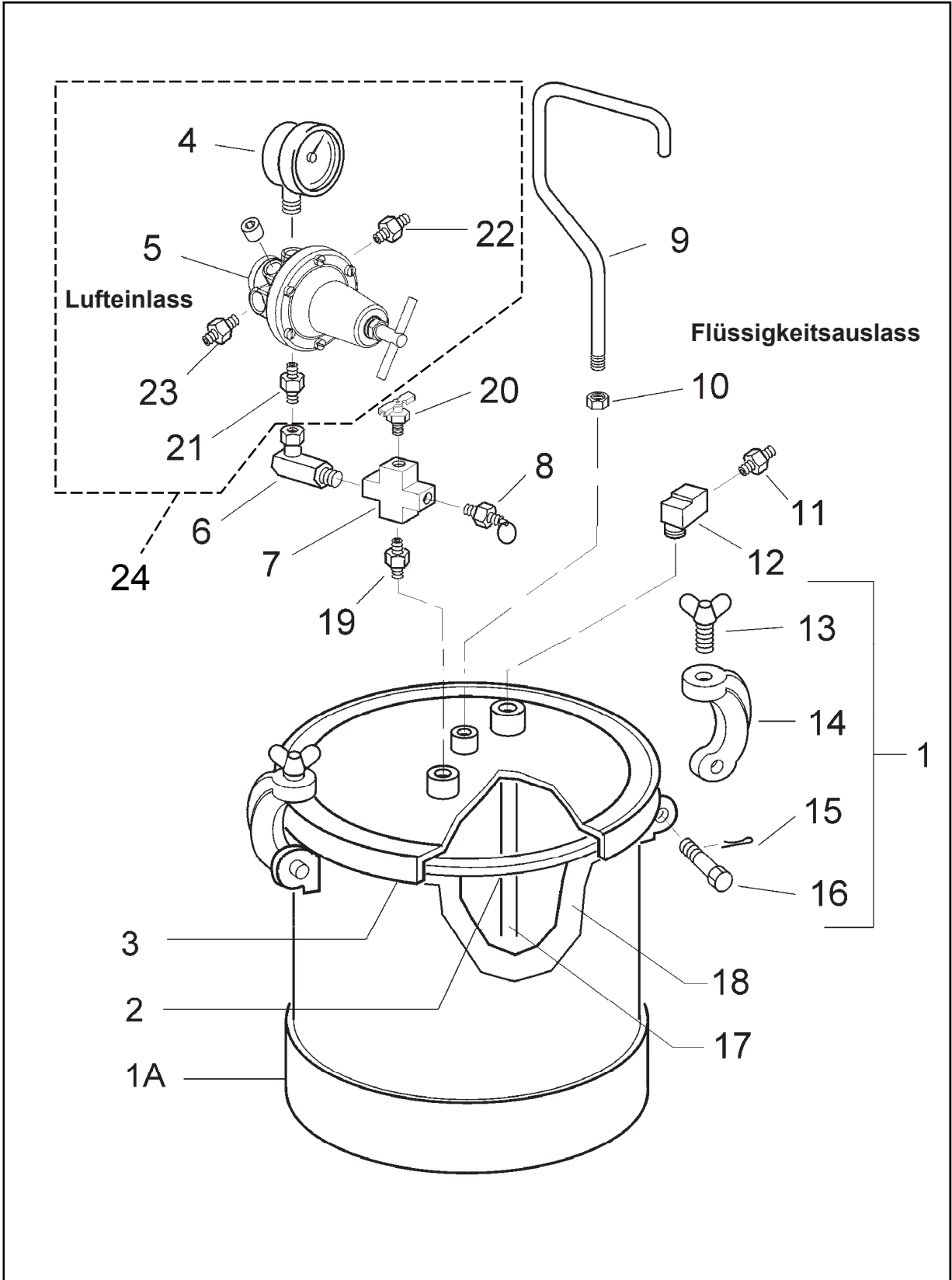
VORBEUGENDE WARTUNGSARBEITEN

Reinigen des Geräts:

- Schalten Sie die Hauptluftzufuhr zum Behälter ab.
- Drehen Sie die Einstellschraube des T-Griffs am Behälterregler nach links, bis Sie keine Federspannung erkennen.
- Lassen Sie den ganzen Druck vom Behälter ab, indem Sie den Ring am Sicherheitsventil ziehen, bis der Druck abgelassen ist.
- Lösen Sie die Daumenschrauben, kippen Sie die Klemmen zurück und kippen Sie den Behälterdeckel zur Seite.
- Lösen Sie den Befestigungsring an der Spritzpistolenluftdüse um ungefähr drei Umdrehungen.
- Wenn Sie den Flüssigkeitszufuhrschlauch zur Spritzpistole leeren möchten, nehmen Sie die Luftdüse ab und setzen Sie sie mit ungefähr zwei Umdrehungen auf. Schalten Sie die Luftzufuhr zur Spritzpistole ein, und betätigen Sie den Abzug der Spritzpistole in der Kabine. Dies erstellt einen Rückdruck im Flüssigkeitsschlauch und drückt die Flüssigkeit wieder in den Behälter.
- Leeren und reinigen Sie den Behälter und die Teile, die mit Material in Berührung gekommen sind. Verwenden Sie ein geeignetes Reinigungsmittel.
- Gießen Sie das Reinigungsmittel in den Behälter.
- Setzen Sie den Deckel wider auf und ziehen Sie die Daumenschrauben und die Klemmen mit der Hand fest.
- Sprühen Sie, bis saubere Reinigungsaustritt.
- Wiederholen Sie die Schritte 5 bis 7.

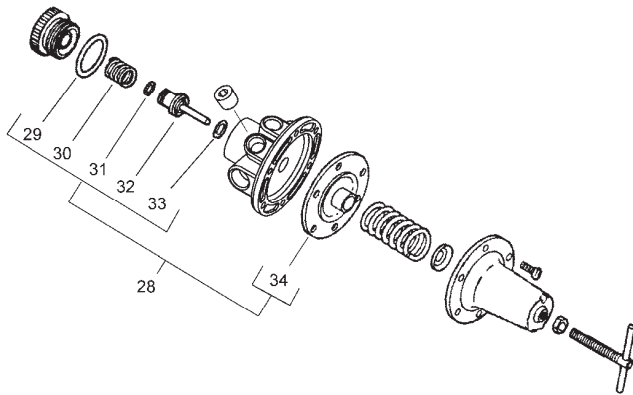
Halten Sie das Sicherheitsventil immer sauber. Prüfen Sie es regelmäßig, indem Sie am Ring ziehen, um sicherzustellen, dass das Ventil ungehindert und richtig funktioniert.

Ref.nr.	Artikelnummer	Beschreibung	Erforderliche Einzelteile
1	PT-423	Behälter (enthält Referenznummern 1A, 13, 14, 15 & 16)	1
1A	PT-420	Behälteraußenhaut	1
2	PT-33-1	Deckeldichtungsring, Santoprene	1
3	PT-426	83C Deckel, verzinkt	1
	PT-422	83Z Deckel, Edelstahl	1
4	83-2727	Manometer	1
5	HAR-511	Regler	1
6	SSP-30-ZN	90° Drehadapter ¼ Zoll NPS (Innengewinde) x ¼ Zoll NPT (Außengewinde)	1
7		Kreuz ¼ Zoll NPT (Innengewinde)	1
8	TIA-5080-CE	Sicherheitsventil - 80 psi	1
9	PT-32	Griff	1
10		Sechskantmutter 3/8 Zoll – 16	1
11	AD-11	83C Nippel 3/8 Zoll NPT (Außengewinde) x 3/8 Zoll NPT (Außengewinde)	1
	2101007	83C Nippel 3/8 Zoll NPT (Außengewinde) x 3/8 Zoll BSP (Außengewinde)	1
	SSP-459	83Z Nippel 3/8 Zoll NPT (Außengewinde) x 3/8 Zoll NPT (Außengewinde) S.S	1
	CT-1164	83Z Nippel 3/8 Zoll NPT (Außengewinde) x 3/8 Zoll BSP (Außengewinde) S.S	1
12	SSP-1939	Rohrbogen 3/8 Zoll NPT (Innengewinde) x 3/8 Zoll (Außengewinde) S. S.	1
13	PT-79	Daumenschraube	4
14	————	Bügel	4
15	————	Splint, 3/32 x 1 Zoll	4
16	————	Drehstift	4
17	PT-31	83C Flüssigkeitsschlauch	1
17	QMS-9-1	83Z Flüssigkeitsschlauch, S.S	1
18	PT-78-K10 oder PT-78-K60	Tankauskleidung (10 oder 60 Stück)	1
19	SSP-462-ZN	Sechskantnippel ¼ Zoll NPT (Außengewinde)	1
20	SS-2707	Luftablassventil	1
21	83-4233	D.M Nippel (83C-210)	1
22	H-2008	(NPS) Nippel 1/4 Zoll NPT (Außengewinde) x 1/4 Zoll NPS (Außengewinde)	1
	2101004	(BSP) Nippel 1/4 Zoll NPT (Außengewinde) x 1/4 Zoll BSP (Außengewinde)	1
23	83-4233	(NPS) Nippel 3/8 Zoll NPT (Außengewinde) x 1/4 Zoll NPS (Außengewinde)	1
	2101005	(BSP) Nippel 3/8 Zoll NPT (Außengewinde) x 1/4 Zoll BSP (Außengewinde)	1
24	85-451	Luft-Controller-Montage	1



Detaillierte Ansicht des Druckbehälters 83C und 83Z-210-CE

Ref. 10 HAR-511 REGULATOREN



Ref.nr.	Artikel nummer	Beschreibung	Erforderliche Einzelteile
28	KK-4977	Reparaturkit	1
+ 29	—	O-Ring	1
+ 30	—	Feder	1
+ 31	—	O-Ring	1
+ 32	—	Ventil	1
+ 33	—	O-Ring	1
+ 34	—	Membran	1

Wartungsprüfungen

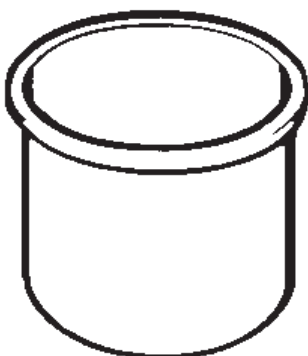
Zustand	Ursache	Behebung
Luft weicht vom Anschluss an der Reglerkappe aus	Gebrochene oder beschädigte Membran (Ref.nr. 34)	Membran auswechseln
Am Manometer verzeichneter Druckanstieg	Schmutziger oder abgenutzter Ventilsitz im Regler	Ventilsitz reinigen oder auswechseln
Luftaustritt von Sicherheitsventil unter maximalem Betriebsdruck	Ventilsitz ist verschmutzt oder beschädigt, oder der Ventilschaft ist fest gefressen	Sicherheitsventil auswechseln. Versuchen Sie keine Reparatur
Flüssigkeits- oder Luftaustritt am Deckeldichtungsring	Deckeldichtungsring ist defekt (Ref.nr. 2) Daumenschrauben sind nicht fest genug angezogen	Dichtungsring auswechseln Schrauben anziehen

Hinweis: Gelegentliche Manometer prüfen (Ref.nr. 4). Die Nadel sollte auf Null zurückgehen, wenn das Manometer keinen Druck hat.

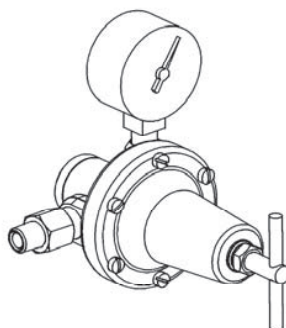
ZUBEHÖR

PT-78-K10 & PT-78-K60 Auskleidung

Eine Behälterauskleidung aus gegossenem Polyethylen, die das Reinigen des Behälters vereinfacht. Die Auskleidung besteht aus robustem, haltbarem und lecksicherem Polyethylen und kann wieder verwendet werden. Kann mit allen Materialien verwendet werden, die mit Polyethylen kompatibel sind. (Nur erhältlich in Packungen von 10 und 60 Stück.)

**PT-413 Luftregler**

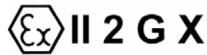
Konvertiert Behälter mit einem Regler (nur Flüssigkeit) in Behälter mit zwei Reglern (Flüssigkeit und Luft). Wird mit tragbaren Luftkompressoren oder Luftschläuchen verwendet, wenn der Luftdruck nicht anders geregelt werden kann (Lufttransformatoren oder Regler).

**Kugelventile**

Wenn Sie dem Lufteinlass ein Kugelventil hinzufügen möchten, nehmen Sie den Nippel (Ref. Nr. 29) ab. Mit Kugelventil VA-5432-K (NPS) oder VA-5427-K (BSP) ersetzen.

VA-540 Absperrventil für Flüssigkeitsablass. Nehmen Sie für den Einbau den Adapter (Ref.nr. 16) ab und ersetzen Sie ihn durch das Kugelventil VA-5429-K (BSP) oder VA-5424-K (NPS) (Gewinde zum Regler verjüngen).

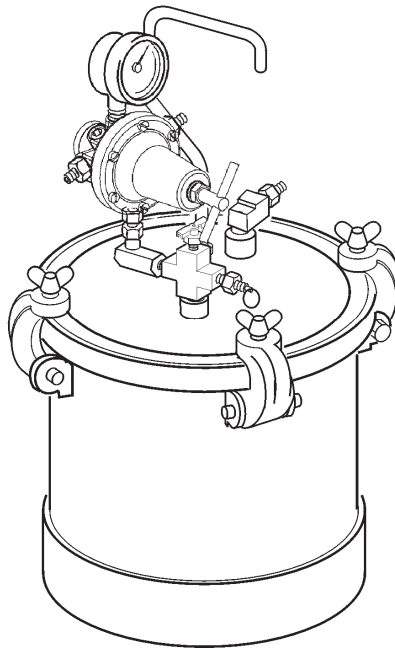
Die Verwendung dieser Ventile vereinfacht den Anschluss von Luft- und Flüssigkeitsschläuchen.




RECIPIENTE DE PRESION 83C-210-CE y 83Z-210-CE

Recipiente pequeño - hasta 9,5 litros (2,8 galones EE.UU.)

IMPORTANTE: Lea y siga todas las instrucciones y **PRECAUCIONES DE SEGURIDAD** antes de utilizar este equipo. Guarde este documento para su referencia futura.



DESCRIPCIÓN

Estos Recipientes de Presión llevan la marca CE de acuerdo con la Directiva de Equipos a Presión 97/23/EC y la Directiva ATEX 94/9/EC Cat 2 G X para su uso en las zonas 1 y 2. Son apropiados para el uso con materiales inflamables y materiales a base de agua (83Z solamente).

Estos recipientes de presión están diseñados como depósitos a presión para el suministro de material líquido a presión constante preajustada a un máximo de 5,5 bar (80 psi). Los recipientes están fabricados de acuerdo con las especificaciones ASME. Los modelos 83C están fabricados de acero al carbono electrocincado. Los modelos 83Z tienen conductos de fluido y tapa de acero inoxidable. Se incluye un depósito interior desechable de polietileno para facilitar la limpieza.

Modelos:

83C-210-CE: Regulación simple, carcasa y tapa de acero al carbono electrocincado.

83Z-210-CE: Regulación simple, carcasa de acero al carbono electrocincado, conductos de fluido y tapas para materiales a base de agua en acero inoxidable.

ADVERTENCIA

Disolventes de hidrocarburos halogenados - por ejemplo: 1,1,1 - tricloroetano y diclorometano, pueden reaccionar químicamente con piezas y componentes de aluminio y presentar riesgo de explosión. Estos disolventes también corroen el recubrimiento galvanizado del recipiente. Lea la etiqueta o la hoja de datos del material. **No utilice materiales que contengan estos disolventes con estos recipientes de presión.**

PRECAUCIÓN

Consulte la tabla de especificaciones para asegurarse de que los fluidos y disolventes utilizados son químicamente compatibles con las piezas humedecidas del recipiente. Antes de introducir fluidos o disolventes en el recipiente, lea siempre la documentación del fabricante y la hoja de datos de seguridad del material.

ADVERTENCIA

Las presiones de aire que superan las cargas de diseño, o cualquier modificación del recipiente de presión, pueden hacer que el recipiente sufra una ruptura o explote.

Una válvula de seguridad protege el recipiente contra la sobrepresurización. Durante cada uso, tire de la anilla de la válvula de seguridad para verificar que funciona libremente y que alivia la presión de aire. Si la válvula está atascada, no funciona libremente, o no alivia la presión de aire, debe ser cambiada. No elimine esta válvula, no la ajuste o no la sustituya.

· Cualquier modificación del recipiente de aire lo debilitará. No taladre, suelde o modifique el recipiente de modo alguno.

· La presión máxima de operación de este recipiente es de 5,5 bar (80 psi).

ADVERTENCIA

El flujo de fluido a través del recipiente de presión y la manguera puede crear **electricidad estática**. Pueden producirse chispas si todos los componentes no están conectados correctamente a tierra. Las chispas pueden prender fuego a vapores procedentes de disolventes y del fluido que se está pulverizando.

Conecte el recipiente de presión a tierra, usando mangueras de aire conductoras y/o una pinza de puesta a tierra con homologación ATEX en el recipiente conectada a una buena toma de tierra.

Si se producen chispas de electricidad estática o se experimentan ligeras descargas mientras se utiliza este equipo, deje de pulverizar inmediatamente. Compruebe la continuidad de la puesta a tierra antes de seguir utilizando este equipo.

ADVERTENCIA

Procedimiento de alivio de presión

La alta presión puede causar graves lesiones. En un recipiente de presión, la presión se mantiene incluso después de apagar el sistema. Antes de intentar retirar la tapa, es necesario aliviar la presión con los siguientes pasos:

1. Cierre el suministro principal de aire al recipiente.
2. Cierre la válvula de entrada de aire situada en el colector de aire del recipiente.
3. Purgue el aire del recipiente girando el tornillo de mariposa de la válvula de alivio de aire en el sentido contrario a las agujas del reloj. Espere hasta que se haya escapado todo el aire por la válvula antes de retirar la tapa del recipiente de presión.
4. Deje abierta la válvula de alivio de aire hasta que haya vuelto a colocar la tapa.

PRECAUCIONES DE SEGURIDAD

Es importante que usted conozca y comprenda la información contenida en este manual. Esta información está relacionada con LA SEGURIDAD DEL USUARIO y LA PREVENCIÓN DE PROBLEMAS CON EL EQUIPO. Para ayudarle a reconocer esta información, usamos los siguientes símbolos. Por favor, preste una atención especial a estas secciones



Información importante que indica cómo prevenir daños al equipo, o cómo evitar una situación que puede causar lesiones menores.



Información de seguridad importante – Un peligro que puede causar lesiones graves o la muerte.

NOTA

Información a la que debe prestar especial atención.



El uso normal de este equipo puede dar lugar a los siguientes peligros. Por favor, preste una atención especial a estas secciones.





PELIGRO	CAUSA	MEDIDAS DE SEGURIDAD
<p>INCENDIO</p> 	<p>Los disolventes y los materiales de recubrimiento pueden ser altamente combustibles, sobre todo al pulverizarse.</p>	<ol style="list-style-type: none"> 1. Debe proporcionarse un sistema adecuado de extracción que mantenga el aire libre de acumulaciones de vapores inflamables 2. No debe permitirse nunca fumar en la zona de pulverización. 3. Deben estar presentes equipos de extinción de incendios en la zona de pulverización.
<p>INCENDIO - RECIPIENTE DE PRESIÓN</p> 	<p>Los vapores de líquidos inflamables pueden incendiarse o explotar.</p>	<ol style="list-style-type: none"> 1. Mantenga el recipiente a una distancia mínima de 3 metros de fuentes de ignición, incluyendo superficies calientes, chispas mecánicas y equipos eléctricos (que no sean a prueba de explosión) que producen arcos eléctricos.
<p>INHALACIÓN DE SUSTANCIAS TÓXICAS</p> 	<p>Ciertos materiales pueden ser dañinos si son inhalados, o si entran en contacto con la piel.</p>	<ol style="list-style-type: none"> 1. Cumpla los requisitos de la Hoja de Datos de Seguridad de Materiales suministrada por el fabricante del material de recubrimiento. 2. Debe proporcionarse un sistema adecuado de extracción que mantenga el aire libre de acumulaciones de materiales tóxicos 3. Utilice una mascarilla o un equipo de respiración en cualquier lugar en el que existe el riesgo de inhalación de material pulverizado. La mascarilla debe ser apropiada para el material que se está pulverizando.
<p>EXPLOSIÓN, RECIPIENTE DE PRESIÓN—RUPTURA</p> 	<p>Cualquier cambio o modificación realizado en el recipiente de presión puede debilitarlo.</p>	<ol style="list-style-type: none"> 1. No taladre, sude o modifique el recipiente de modo alguno. 2. No ajuste, retire ni manipule la válvula de seguridad. 3. Sustituya la válvula de seguridad únicamente con la pieza de recambio correcta, de acuerdo con la lista. 4. No conecte ningún otro tipo de válvula de seguridad de presión nominal mayor que la presión máxima de operación del recipiente.
<p>SEGURIDAD EN GENERAL</p>	<p>La operación o el mantenimiento incorrectos pueden crear peligro.</p>	<p>Los operadores deben recibir una formación apropiada en el uso y mantenimiento seguros de este equipo.</p>

TABLA DE NÚMEROS DE PIEZA

Código del recipiente	Peso (kg)	Altura (mm)
83C-210-CE	12.8	485
83Z-210-CE	12.8	485

ESPECIFICACIÓN

Capacidad del recipiente	9,5 litros
Presión máxima de trabajo	5,5 bar (80 psi)
Presión de ajuste de la válvula de seguridad	5,5 bar (80 psi)
Entrada de aire	1/4" NPS o BSP (M)
Salida de fluido	3/8" NPS o BSP (M)

MATERIALES DE CONSTRUCCIÓN

Carcasa del recipiente	Chapa de acero cincado laminado en caliente SA-620 2,7 mm (galga 8)
Tapa del recipiente	83C Chapa de acero cincado laminado en caliente SA-414 4.2 mm (3/16")
	83Z Acero inoxidable 304 4,2 mm (galga 8)
Tubo de fluido	83C Acero, chapa de cinc galvanizado
	83Z Acero inoxidable
Colector de aire	Acero laminado en frío cincado
Salida de fluido	83C Acero, chapa de cinc galvanizado
	83Z Acero inoxidable
Junta de la tapa	Santopreno

INSTALACIÓN

Mezcle y prepare el material a utilizar siguiendo las instrucciones del fabricante. Filtre el material por una malla fina (malla 60 ó 90) para retirar cualquier material extraño que pudiera entrar y atascar los conductos de material.

1. Alivie siempre toda presión de aire en el recipiente. Tire de la anilla de la válvula de seguridad hasta que la presión se disipe.
2. Afloje los tornillos de mariposa, abra las mordazas de la tapa y retire el conjunto de la tapa.
3. Vierta material en el recipiente. Consulte en la sección Accesorios lo referente a depósitos interiores desechables. También puede utilizarse un recipiente de un galón, recortando en ángulo 5 mm del extremo del tubo de fluido.
4. Vuelva a colocar el conjunto de la tapa y apriete firmemente las mordazas y los tornillos de mariposa.
5. Si es posible, la manguera del suministro de aire debe pasar por un filtro de aire/ regulador para filtrar la suciedad del aire y retirar cualquier agua o aceite en suspensión. Consulte en la sección **ACCESORIOS** los filtros disponibles. Conecte la manguera de suministro de aire al acoplamiento de entrada de aire del regulador del recipiente.
6. Conecte la manguera de aire de atomización al acoplamiento de salida de aire, que está situado directamente frente al acoplamiento de entrada de aire.
7. Conecte la manguera de material al

acoplamiento de salida de fluido.

8. La Figura 1 muestra un montaje típico.

OPERACIÓN

1. Abra el suministro de aire.
2. Gire el tornillo de ajuste con maneta en T en el regulador del recipiente en el sentido de las agujas del reloj para aumentar la presión del material: gírelo en el sentido contrario a las agujas del reloj para reducir la presión. La presión máxima del recipiente es de 5,5 bar
3. El aire de atomización de la pistola pulverizadora puede ajustarse en la pistola mediante una válvula de ajuste de aire (HAV-501) o con el regulador de aire adicional PT-413 disponible como accesorio (ver la página 6).
4. Consulte en las instrucciones de la pistola pulverizadora la información sobre su funcionamiento.

siempre debe aliviarse girando el regulador en el sentido contrario a las agujas del reloj hasta que haga tope, o tirando de la anilla de la válvula de seguridad.



Si utiliza un enchufe rápido de aire (Q.D.) en la entrada del regulador del recipiente de presión, no desconecte el Q.D. mientras que el recipiente esté presurizado, a menos que la válvula de bola esté cerrada.

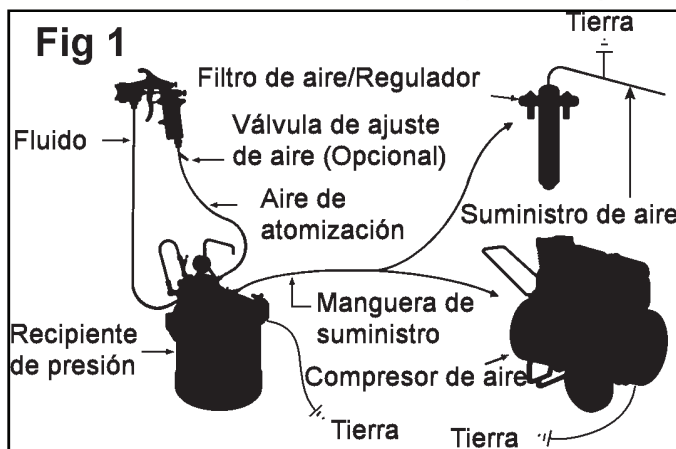
Si lo hace, la presión del recipiente se aliviará rápidamente, y podría succionar pintura en sentido contrario por el regulador de aire y el motor de aire, dependiendo del nivel de líquido dentro del recipiente. La presión del recipiente

MANTENIMIENTO PREVENTIVO

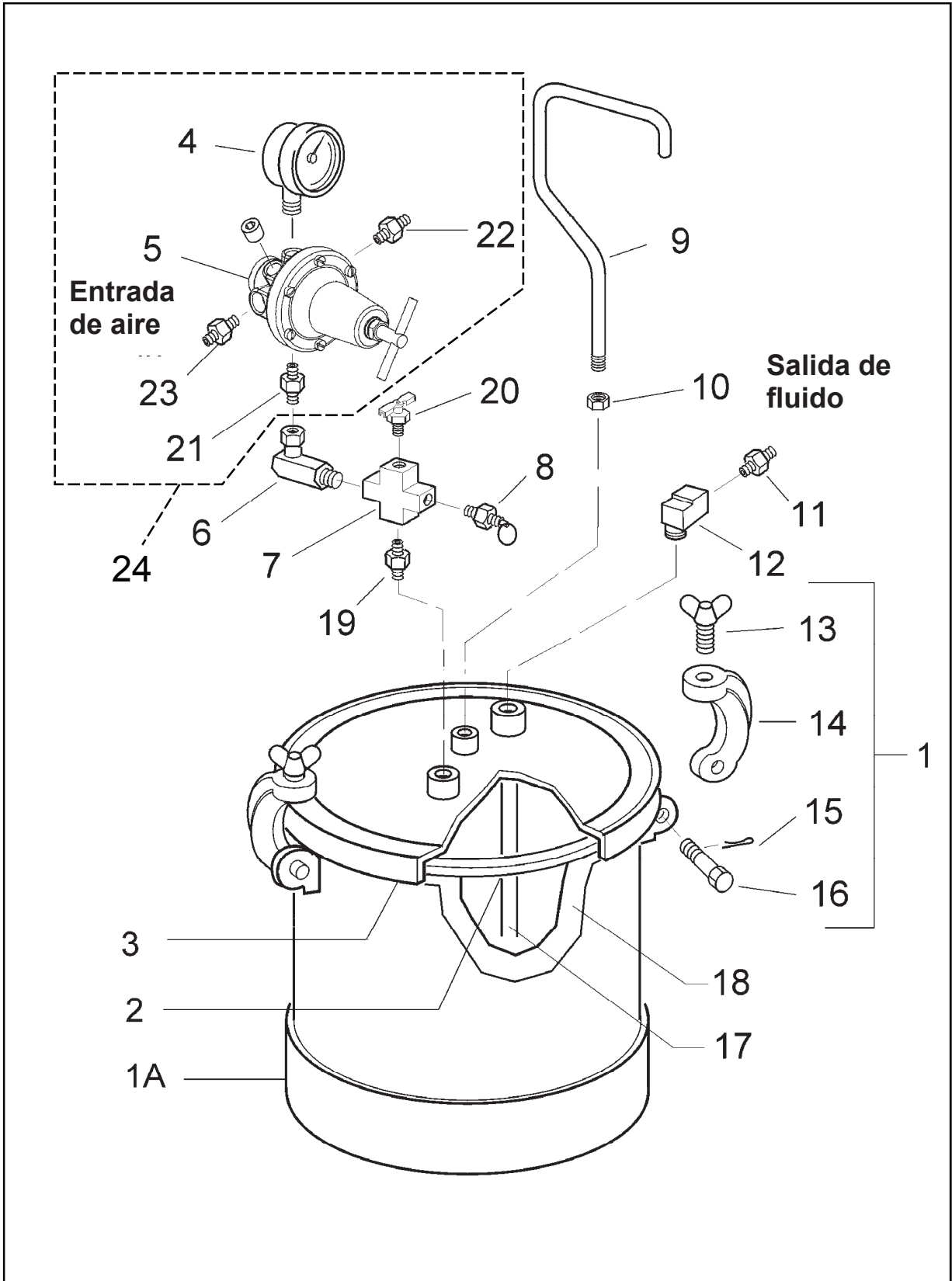
Para limpiar el equipo:

1. Cierre el suministro principal de aire al recipiente.
2. Gire el tornillo de ajuste con maneta en T del regulador del recipiente en el sentido contrario a las agujas del reloj hasta que no quede tensión en el muelle.
3. Alivie toda la presión del recipiente tirando de la anilla de la válvula de seguridad hasta que se disipe la presión.
4. Afloje los tornillos de mariposa, abra las mordazas de la tapa y abra la tapa del recipiente hacia un lado.
5. Afloje el anillo de retención del cabezal de aire de la pistola pulverizadora unas tres vueltas.
6. Para vaciar la manguera de suministro de fluido a la pistola, retire el cabezal de aire y vuelva a colocarlo, enroscándolo unas 2 vueltas. Abra el suministro de aire de la pistola pulverizadora y accione el gatillo de la pistola pulverizadora hacia la cabina, lo cual creará una contrapresión en la manguera de fluido, obligando al fluido a fluir hacia el recipiente.
7. Vacíe y limpie el recipiente y las piezas que entran en contacto con el material. Utilice un material de limpieza adecuado.
8. Vierta material de limpieza en el recipiente.
9. Vuelva a colocar la tapa y apriete los tornillos de mariposa y las abrazaderas.
10. Pulverice hasta que aparezca una solución limpia.
11. Repita los pasos 5 a 7.

Mantenga la válvula de seguridad siempre limpia. Verifique regularmente la libre operación de la válvula tirando de la anilla.

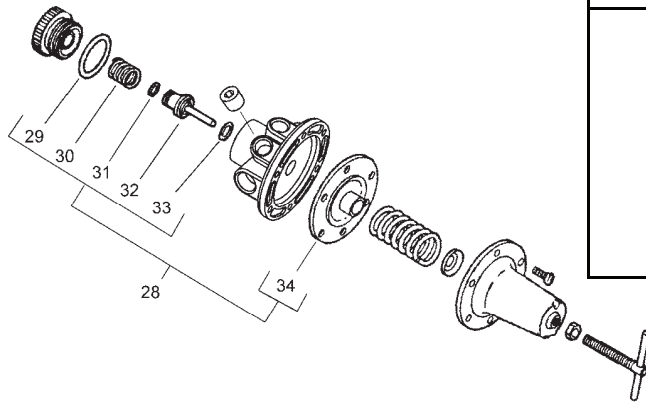


Nº ref.	Pieza Nº	Descripción	Nº piezas necesarias
1	PT-423	Kit de recipiente (Incluye las piezas 1A, 13, 14, 15 y 16)	1
1A	PT-420	Carcasa del recipiente	1
2	PT-33-1	Junta de la tapa, santopreno	1
3	PT-426	83C Tapa, cincada	1
	PT-422	83Z Tapa, acero inoxidable	1
4	83-2727	Manómetro	1
5	HAR-511	Regulador	1
6	SSP-30-ZN	Adaptador giratorio de 90° 1/4" NPS (H) x 1/4" NPT (M)	1
7		Cruceta 1/4" NPT (H)	1
8	TIA-5080-CE	Válvula de seguridad—80 psi	1
9	PT-32	Asa	1
10		Tuerca hexagonal 3/8" - 16	1
11	AD-11	83C (NPT) Racor 3/8" NPT (M) x 3/8" NPT (M)	1
	2101007	83C (BSP) Racor 3/8" NPT (M) x 3/8" BSP (M)	1
	SSP-459	83Z (NPT) Racor 3/8" NPT (M) x 3/8" NPT (M) Inox	1
	CT-1164	83Z (BSP) Racor 3/8" NPT (M) x 3/8" BSP (M) Inox	1
12	SSP-1939	Codo mixto macho/hembra 3/8" NPT (H) x 3/8" (M) Inox	1
13	PT-79	Tornillo de mariposa	4
14	————	Brazo	4
15	————	Cuaveta, 3/32 x 1"	4
16	————	Perno giratorio	4
17	PT-31	83C Tubo de fluido	1
17	QMS-9-1	83Z Tubo de fluido, Inox	1
18	PT-78-K10 o PT-78-K60	Depósito interior desechable (kit de 10 ó 60)	1
19	SSP-462-ZN	Racor hexagonal 1/4" NPT (M)	1
20	SS-2707	Válvula de alivio de aire	1
21	83-4233	Racor D.M (83Z-210)	1
22	H-2008	(NPS) Racor 1/4" NPT (M) x 1/4" NPS (M)	1
	2101004	(BSP) Racor 1/4" NPT (M) x 1/4" BSP (M)	1
23	83-4233	(NPS) Racor 3/8" NPT (M) x 1/4" NPS (M)	1
	2101005	(BSP) Racor 3/8" NPT (M) x 1/4" BSP (M)	1
24	85-451	Conjunto de control de aire	1



Vista ampliada de los Recipientes a presión 83C y 83Z-210-CE

Ref. 10 HAR-511 - CONJUNTOS DE REGULADOR



Nº ref.	Pieza Nº	Descripción	Nº piezas necesarias
28	KK-4977	Kit de reparación	1
+ 29	—	Junta tórica	1
+ 30	—	Muelle	1
+ 31	—	Junta tórica	1
+ 32	—	Válvula	1
+ 33	—	Junta tórica	1
+ 34	—	Conjunto de diafragma	1

Solución de problemas

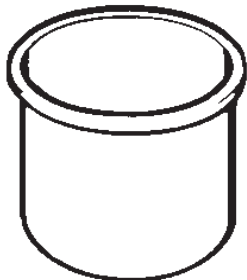
Problema	Causa	Corrección
Se escapa aire del orificio del tapón del regulador	Diafragma roto o dañado (ref. nº 34)	Cambie el diafragma
El manómetro señala variaciones de presión	El asiento de la válvula del regulador está sucio o desgastado	Limpie o sustituya el asiento de la válvula
Fuga de aire de la válvula de seguridad por debajo de la presión máxima de operación	El asiento de la válvula está sucio o dañado, o el conjunto de husillo de la válvula está atascado	Cambie la válvula de seguridad. No intente repararla.
Fuga de fluido o aire en la junta de la tapa	La junta de la tapa está defectuosa (nº ref. 2) Los tornillos de mariposa no están apretados suficientemente	Cambie la junta Apriete los tornillos

Nota: Compruebe el manómetro de vez en cuando (nº ref. 4) La aguja debe volver a cero cuando no hay presión en el manómetro.

ACCESORIOS

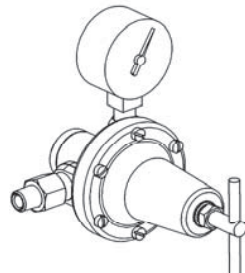
PT-78-K10 y PT-78-K60 – Depósito interior desechable.

Un depósito interior desechable moldeado en polietileno que reduce el tiempo de limpieza del recipiente. El depósito interior desechable está fabricado en polietileno resistente, duradero y hermético, y puede ser reutilizado. Puede ser utilizado con cualquier material compatible con el polietileno. (Disponible solamente en paquetes de 10 y 60.)



PT-413 – Kit de regulador de aire.

Se utiliza para convertir recipientes de un solo regulador (fluido solamente), a regulación doble (fluido y aire). Utilizado con compresores de aire portátiles o con mangueras de aire cuando no está disponible ningún otro medio (transformador o regulador de aire) de regulación de la presión del aire.



Válvulas de bola.

Para añadir una válvula de bola a la entrada de aire, retire el racor (nº ref. 29). Sustitúyalo con la válvula de bola VA-5432-K (NPS) o VA-5427-K (BSP).

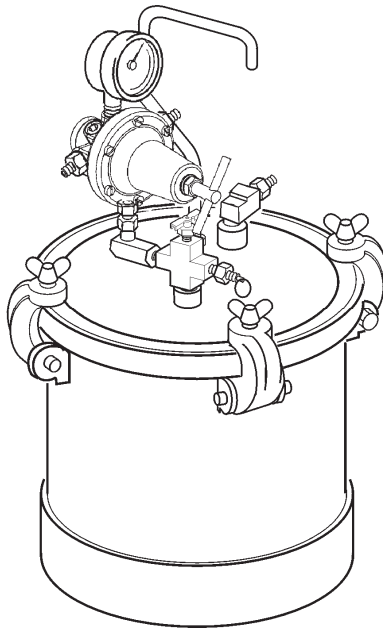
VA-540 – Válvula de cierre de la salida de fluido. Para instalar, retire el adaptador (nº ref. 16), sustitúyalo con la válvula de bola VA-5429-K (BSP) o VA-5424-K (NPS) (con la rosca cónica hacia el regulador).

El uso de estas válvulas simplifica el acoplamiento de las mangueras de aire y fluido.

83C-210-CE JA 83Z-210-CE PAINESÄILIÖT

Pieni säiliö –9,5 litraa

TÄRKEÄÄ: Perehdy kaikkiin ohjeisiin ja TURVATOIMIIN ennen laitteen käyttöä ja noudata niitä. Säilytä myöhempää käyttöä varten.



KUVAUS

Nämä painesäiliöt on CE-merkitty painelaitedirektiivin 97/23/EY ja ATEX-laitedirektiivin 94/9/EY mukaan, suojaustaso 2 G X, sopii käytettäväksi vyöhykkeillä 1 ja 2. Ne soveltuvat käytettäväksi tulenarkojen ja vesipohjaisten (vain 83Z) materiaalien kanssa.

Nämä painesäiliöt on suunniteltu syöttämään nestemäistä materiaalia tasaisella ja ennalta määritetyllä, enintään 5,5 bar (80 psi) paineella. Säiliöt on valmistettu ASME-määrittämisen mukaisesti. 83C-mallit on valmistettu sähkösinkitystä hiiliteräksestä. 83Z-malleissa on ruostumattomasta teräksestä valmistetut neste-kanavat ja kansi. Puhdistusta helpottaa polyeteenistä valmistettu vuoraus.

Mallit:

83C-210-CE: Yksisäätiminen, sähkösinkitty hiiliteräskansi ja -vaippa.

83Z-210-CE: Yksisäätiminen, sähkösinkitty hiiliteräskansi ja -vaippa, ruostumattomasta teräksestä valmistetut nestekanavat ja kansi vesipohjaisten materiaalien varten.

VAROITUS

Halogenoidut hiilivetyliuottimet, kuten esimerkiksi 1,1,1-trikloorietaani ja metyleenikloridi voivat reagoida kemiallisesti alumiiniosien ja -komponenttien kanssa ja aiheuttaa räjähdysvaaran. Nämä liuottimet syövyttävät myös säiliön galvanoidun pinnan. Tutustu materiaalin etikettiin tai turvaohjeeseen. **Painesäiliöissä ei saa käyttää näitä liuottimia sisältäviä materiaaleja.**

VAARA

Tarkista ominaisuuskaaviosta, että käytetyt nesteet ja liuottimet ovat kemiallisesti yhteensopivia säiliön nesteen kanssa kosketuksiin joutuvien osien kanssa. Ennen säiliön täyttämistä nesteillä tai liuottimilla on aina tutustuttava valmistajan ohjeisiin ja käyttöturvallisuustiedotteeseen.

VAROITUS

Painekuorma, joka on laskentakuormaa suurempi, tai paineen syöttö säiliöön tehdyt muutokset voivat aiheuttaa säiliön repeytymisen tai räjähtämisen.

- Varoventtiili suojaa säiliötä ylipaineelta. Vedä varoventtiilin rengasta jokaisen käytön yhteydessä ja varmista, että se toimii oikein ja vapauttaa painetta. Jos venttiili juuttuu, ei toimi oikein tai ei vapauta painetta, se on vaihdettava. Älä tuki, säädä tai korvaa tätä venttiiliä.

- Ilmasäiliöön tehdyt muutokset heikentävät sitä. Älä poraa, hitsaa tai muuta säiliötä millään tavalla.

- Säiliön enimmäisyöpaine on 5,5 bar (80 nsi)

VAROITUS

Staattista sähköä voi muodostua nesteen virratessa painetankin ja -letkun läpi. Jos kaikki osat eivät ole kunnolla maadoitettuja, voi syntyä kipinöitä. Kipinät voivat sytyttää liuottimista ja ruiskutettavasta nesteestä muodostuvia huujuja.

Painesäiliö on maadoitettava sähköä johtavien ilmaletkujen ja/tai ATEX-hyväksytyin maadoitusliittimen avulla säiliöstä ja toisesta päästä maattoon.

Jos laitteistoa käytettäessä ilmenee staattisen sähkön aiheuttamaa kipinöintiä tai lieviä sähköiskuja, ruiskuttaminen on lopetettava heti. Tarkista maadoitus ennen laitteiden käytön jatkamista.

VAROITUS

Paineenalennus

Korkeapaine voi aiheuttaa vakavia vammoja. Painesäiliöön jää painetta järjestelmän käytön lopettamisen jälkeen. Ennen kannen irrotusta paine on alennettava seuraavasti:

1. Katkaise säiliön ilman syöttö.
2. Sulje säiliön ilmaputkiston tuloventtiili.
3. Tyhjennä säiliöstä ilma kääntämällä ilman paineenalennusventtiiliin siipiruuvia vastapäivään. Odota, kunnes ilma on tyhjentynyt venttiiliin kautta kokonaan ennen painesäiliön kannen irrottamista.
4. Jätä paineenalennusventtiili auki, kunnes kansi on asennettu takaisin paikoilleen.

VAROTOIMET

Tämä opas sisältää tärkeitä tietoja, jotka käyttäjän on tunnettava ja ymmärrettävä. Tiedot ovat tärkeitä KÄYTTÄJÄN TURVALLISUUDEN ja LAITTEISTO-ONGELMIEN ENNALTA EHKÄISYN kannalta. Tietojen tunnistamisen helpottamiseksi käytetään seuraavia symboleja. Näillä symboleilla merkittyihin kohtiin on kiinnitettävä erityistä huomiota.



VAARA

Tärkeää tietoa, jonka avulla voidaan estää laitevauriot ja välttää tilanteet, jotka voivat johtaa tapaturmiin.



VAROITUS

Tärkeää turvallisuuteen liittyvää tietoa – vaara, josta voi seurata vakava tapaturma tai kuolema.





HUOMAUTUS

Tietoja, joihin on kiinnitettävä erityistä huomiota.



VAROITUS

Seuraavat vaaratilanteet ovat mahdollisia tämän laitteiston normaalin käytön aikana. Tutustu alla olevaan luetteloon.

VAARA	SYY	VAROTOIMET
TULI 	Liuottimet ja pinnoitteet voivat olla erittäin tulenarkoja erityisesti ruiskutettaessa.	<ol style="list-style-type: none"> 1. Tuuletuksen on oltava riittävän tehokas, jotta työskentelytiloihin ei pääse kertymään tulenarkoja höyryjä. 2. Ruiskutustiloissa ei saa tupakoida. 3. Ruiskutustiloissa on oltava palonsammutusvälineet.
TULI – PAINESÄILIÖ 	Syttyvien nesteiden muodostamat höyryt voivat syttyä tuleen tai räjähtää.	<ol style="list-style-type: none"> 1. Säiliö on pidettävä vähintään kolmen metrin päässä sytytyslähdeistä, kuten kuumista pinnoista tai kipinöitä aiheuttavista mekaanisista tai sähköisistä (ei räjähdysuojattuja) laitteista.
MYRKYLLISTEN AINEIDEN HENGITTÄMINEN 	Jotkin materiaalit voivat olla haitallisia hengitettynä tai iholle päästessään.	<ol style="list-style-type: none"> 1. Noudatettava pinnoitteen valmistajan käyttöturvallisuustiedotteen ohjeita. 2. Tuuletuksen on oltava riittävän tehokas, jotta työskentelytiloihin ei pääse kertymään myrkyllisiä aineita. 3. Käytettävä naamaria tai hengityksensuojainta, jos hengitysilmassa on ruiskutettavaa materiaalia. Naamarin on suojattava ruiskutettavalta materiaaliilta.
RÄJÄHDYS, PAINESÄILIÖ – MURTUMINEN 	Mitkä tahansa muutokset voivat heikentää säiliötä.	<ol style="list-style-type: none"> 1. Älä poraa, hitsaa tai muuta säiliötä millään tavalla. 2. Älä säädä, irrota tai peukaloi varoventtiiliä. 3. Varoventtiili on vaihdettava ohjeen mukaiseen varaosaan. 4. Uuden varoventtiilin paineluokitus ei saa olla suurempi kuin säiliön enimmäistyöpaine.
YLEINEN TURVALLISUUS	Virheellinen käyttö tai huolto voi aiheuttaa vaaratilanteen.	Henkilökunnalle on annettava riittävä koulutus, jotta he osaavat käyttää ja huoltaa laitteita turvallisesti.

OSANUMEROLUETTELO

Säiliön koodi	Paino (kg)	Korkeus (mm)
83C-210-CE	12,8	485
83Z-210-CE	12,8	485

TEKNISET TIEDOT

Säiliön tilavuus	9,5 litraa
Enimmäistyöpaine	5,5 bar (80 psi)
Varoventtiilin paineasetus	5,5 bar (80 psi)
Ilman tuloliittimen koko	1/4" NPS tai BSP (uros)
Nesteen lähtöliittimen koko	3/8" NPS tai BSP (uros)

VALMISTUS-MATERIAALIT

Säiliön vaippa	SA-620 H.R sinkitty teräslevy 2,7 mm (paksuusmitta 8)
Säiliön kansi	83C SA-414 H.R sinkitty teräslevy 4,2 mm (3/16")
	83Z 304 ruostumaton teräs 4,2 mm (paksuusmitta 8)
Nesteputki	83C Galvanoitu teräs
	83Z Ruostumaton teräs
Ilmaputkisto	Sinkitty kylmävalssattu teräs
Nesteen lähtöliitin	83C Galvanoitu teräs
	83Z Ruostumaton teräs
Kannen tiiviste	Santoprene

ASENNUS

Sekoita ja valmistele käytettävä materiaali valmistajan ohjeiden mukaisesti. Suodata materiaali hienosilmäisen verkon (silmäkoko 60 tai 90) läpi, jotta materiaalista saadaan poistettua kaikki tukoksia aiheuttavat vieraat aineet.

- Varmista, että säiliöön ei jää yhtään painetta. Vedä varoventtiilin renkaasta ja tyhjennä paine kokonaan.
- Löysää siipiruuveja, käännä kannen pidikkeet taakse ja irrota kansiyksikkö.
- Kaada ruiskutettava materiaali säiliöön. Säiliössä käytettävistä kertakäyttöisistä vuorauksista on lisätietoja kohdassa LISÄVARUSTEET. Voidaan käyttää myös 4,5 litran säiliötä leikkaamalla nesteputken päästä viistosti pois 5 mm.
- Asenna kansiyksikkö ja kiristä pidikkeet sekä siipiruuvit tiukasti.
- Mikäli mahdollista, ilman syöttöletkussa on käytettävä ilmansuodatinta/paineensäädintä, joka poistaa ilmasta epäpuhtaudet ja absorboituneen veden ja öljyn. Käytettävistä suodattimista on lisätietoja kohdassa LISÄVARUSTEET. Kytke ilman syöttöletku säiliön paineensäätimen ilman tuloliitäntään.
- Kytke sumutuksen ilmaletku ilman tuloliitäntää vastapäätä olevaan ilman lähtöliitäntään.
- Kytke materiaaliletku nesteen lähtöliitäntään.

8. Kuvassa 1 on esitetty tyyppinen kokoonpano.

KÄYTTÖ

- Kytke ilman syöttö.
- Lisää materiaalin painetta kääntämällä säiliön paineensäätimen T-kahvalla varustettua säätöruuvia myötäpäivään. Laske painetta kääntämällä sitä vastapäivään. Säiliön enimmäispaine on 5,5 bar.
- Ruiskun sumutusilmaa voidaan säätää ruiskusta ilman säätöventtiilillä (HAV-501) tai lisävarusteena saatavalla paineensäätimellä (PT-413) (katso sivu 6).
- Lisätietoja ruiskun käytöstä on sen käyttöohjeessa.



Jos säiliön paineensäätimessä käytetään ilman pikaliitintä, pikaliitintä ei saa irrottaa, jos säiliössä on painetta eikä palloventtiiliä ole suljettu.

Jos näin kuitenkin tehdään, säiliön paine laskee äkillisesti, jolloin ilman paineensäätimen ja paineilmamoottorin läpi voi palautua maalia säiliössä olevan nesteen määrästä riippuen. Säiliön paine

on aina vapautettava kääntämällä paineensäädin kokonaan vastapäivään tai vetämällä varoventtiilin renkaasta.

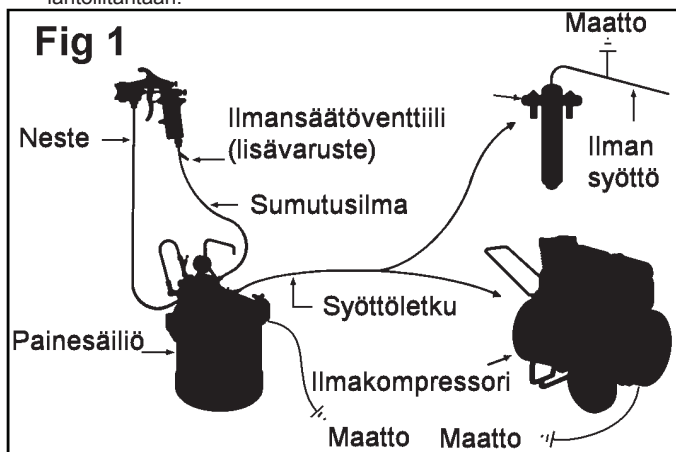


ENNALTAEHKÄISEVÄ HUOLTO

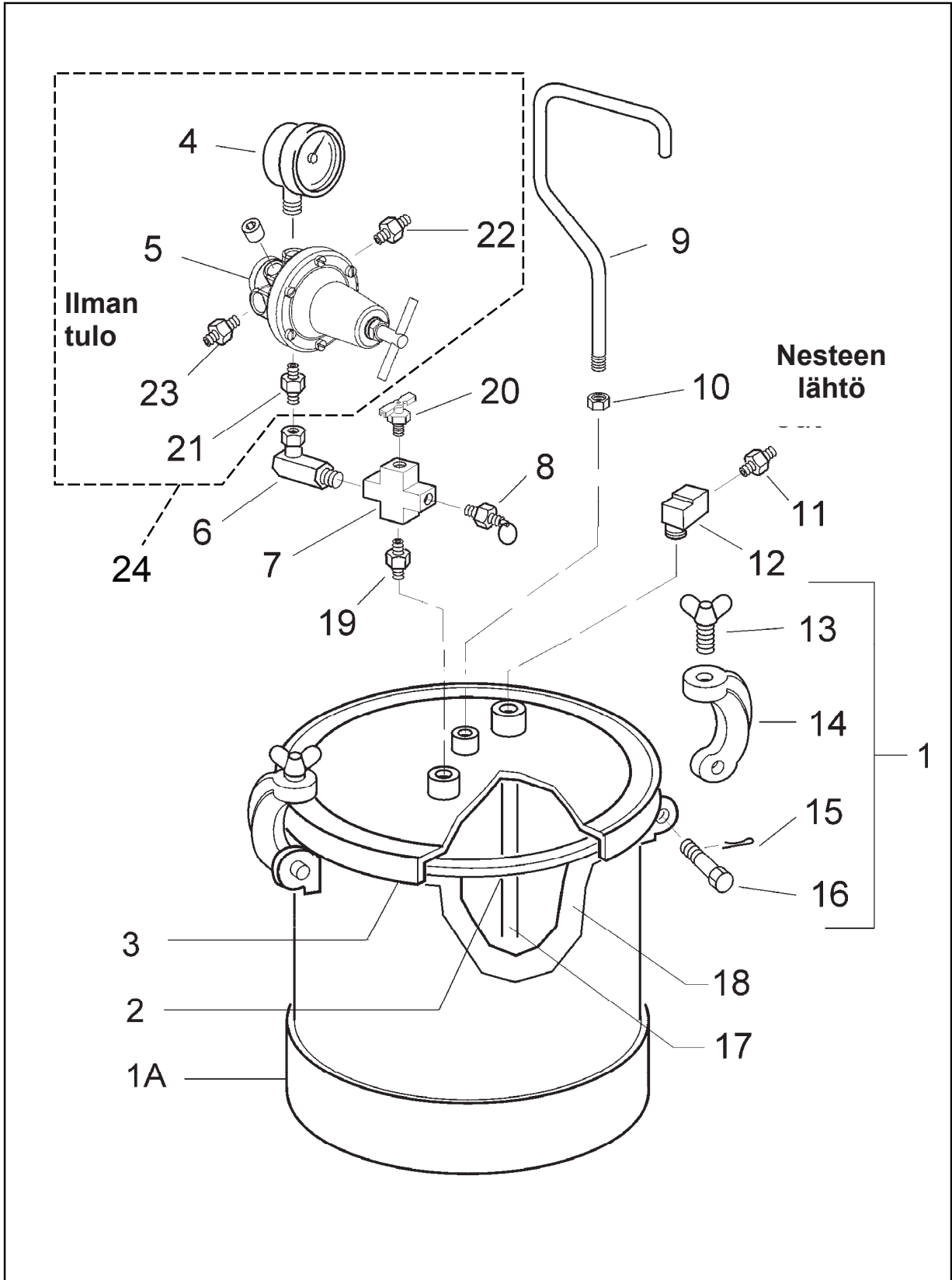
Laitteiston puhdistus:

- Katkaise säiliön ilman syöttö.
- Käännä säiliön paineensäätimen T-kahvalla varustettua säätöruuvia vastapäivään, kunnes jousivastusta ei enää tunnu.
- Tyhjennä säiliön paine kokonaan vetämällä varoventtiilin renkaasta.
- Löysää siipiruuveja, käännä kannen pidikkeet taakse ja käännä säiliön kansi sivulle.
- Löysää ruiskun ilmasuuttimen kiinnitysrengasta noin kolme kierrosta.
- Tyhjennä ruiskun nesteletku irrottamalla ilmasuutin ja kiertämällä sitä takaisin noin kaksi kierrosta. Kytke ruiskun ilman syöttö, suuntaa ruisku maalaussuojaan ja paina liipaisinta. Tällöin nesteletkuun muodostuva vastapaine työntää nesteen takaisin säiliöön.
- Tyhjennä ja puhdista säiliö ja materiaalin kanssa kosketuksiin joutuneet osat. Käytä tarkoitukseen soveltuvaa puhdistusainetta.
- Kaada puhdistusaine säiliöön.
- Asenna kansi ja kiristä siipiruuvit ja pidikkeet.
- Ruiskuta, kunnes ulos suihkuuva neste on puhdasta.
- Toista vaiheet 5–7.

Varoventtiili on pidettävä puhtaana. Tarkista venttiilin toiminta säännöllisesti vetämällä renkaasta.

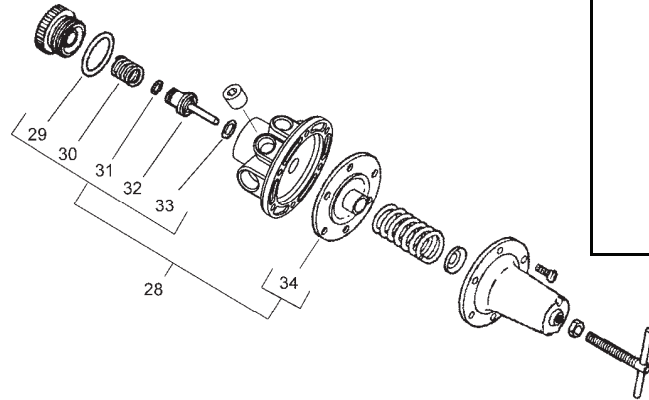


Viite- nro	Osanro	Kuvaus	Osien lkm.
1	PT-423	Säiliökokoonpanosarja (sisältää viitenumerot 1A, 13, 14, 15 ja 16)	1
1A	PT-420	Säiliön vaippa	1
2	PT-33-1	Kannen tiiviste, Santoprene	1
3	PT-426	83C Kansi, sinkitty	1
	PT-422	83Z Kansi, ruostumaton teräs	1
4	83-2727	Painemittari	1
5	HAR-511	Paineensäädin	1
6	SSP-30-ZN	90° kääntyvä sovitin 1/4" NPS (naaras) x 1/4" NPT (uros)	1
7		Ristiliitin 1/4" NPT (naaras)	1
8	TIA-5080-CE	Varoventtiili – 80 psi	1
9	PT-32	Kahva	1
10		Kuusiomutteri 3/8"-16	1
11	AD-11	83C (NPT) Liitin 3/8" NPT (uros) x 3/8" NPT (uros)	1
	2101007	83C (BSP) Liitin 3/8" NPT (uros) x 3/8" BSP (uros)	1
	SSP-459	83Z (NPT) Liitin 3/8" NPT (uros) x 3/8" NPT (uros) ruostumaton teräs	1
	CT-1164	83Z (BSP) Liitin 3/8" NPT (uros) x 3/8" BSP (uros) ruostumaton teräs	1
12	SSP-1939	Kulmaliitin 3/8" NPT (naaras) x 3/8" (uros) ruostumaton teräs	1
13	PT-79	Siipiruuvi	4
14	————	Haarukkokoonpano	4
15	————	Sokka, 3/32 x 1"	4
16	————	Sokkanaula	4
17	PT-31	83C Nesteputki	1
17	QMS-9-1	83Z Nesteputki, ruostumaton teräs	1
18	PT-78-K10 tai PT-78-K60	Säiliön vuoraus (10 tai 60 kpl sarja)	1
19	SSP-462-ZN	Kuusioliitin 1/4" NPT (uros)	1
20	SS-2707	Paineenalennusventtiili	1
21	83-4233	D.M-liitin (83C-210)	1
22	H-2008	(NPS) Liitin 1/4" NPT (uros) x 1/4" NPS (uros)	1
	2101004	(BSP) Liitin 1/4" NPT (uros) x 1/4" BSP (uros)	1
23	83-4233	(NPS) Liitin 3/8" NPT (uros) x 1/4" NPS (uros)	1
	2101005	(BSP) Liitin 3/8" NPT (uros) x 1/4" BSP (uros)	1
24	85-451	Ilmansäätö kokoonpano	1



83C- ja 83Z-210-CE -painesäiliöiden räjäytyskuva

Viitenumero 10 HAR-511-PAINEENSÄÄDINYKSIKÖT



Viite-nro	Osanro	Kuvaus	Osiem lkm.
28	KK-4977	Korjaussarja	1
+ 29	—	O-rengas	1
+ 30	—	Jousi	1
+ 31	—	O-rengas	1
+ 32	—	Venttiili	1
+ 33	—	O-rengas	1
+ 34	—	Kalvovyksikkö	1

Huoltotarkistukset

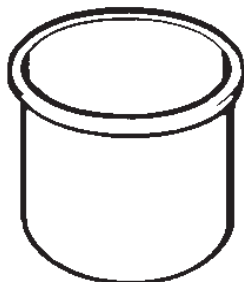
Vika	Syy	Korjaustoimenpide
Paineensäätimen suuttimen aukosta vuotaa ilmaa	Kalvo on haljennut tai vaurioitunut (viitenumero 34)	Vaihda kalvo
Mittari ilmoittaa, että paine laskee hitaasti	Paineensäätimen venttiilin istukka on likainen tai kulunut	Puhdista tai vaihda venttiilin istukka
Varoventtiilistä vuotaa ilmaa enimmäisyöpainetta alhaisemmalla paineella	Venttiilin istukka on likainen tai vaurioitunut, tai venttiilin varsiyksikkö on juuttunut	Vaihda varoventtiili. Älä yritä korjausta.
Kannen tiivisteestä vuotaa nestettä tai ilmaa	Kannen tiiviste viallinen (viitenumero 2) Siipiruuvit eivät ole riittävän kireällä	Vaihda tiiviste Kiristä ruuvit

Huomautus: Tarkista mittari ajoittain (viitenumero 4). Neulan on osoitettava nolaa, kun mittariin ei kohdistu painetta.

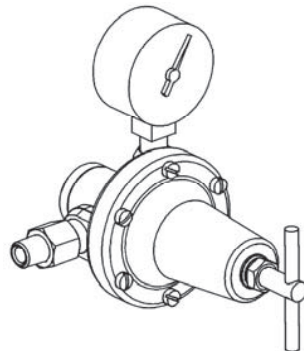
LISÄTARVIKKEET

Vuorukset PT-78-K10 ja PT-78-K60

Muovattu polyeteeninen säiliön vuoraus, joka nopeuttaa säiliön puhdistusta. Vuoraus on valmistettu lujasta, kestävästä ja vuotamattomasta polyeteenistä, ja sitä voidaan käyttää useita kertoja. Voidaan käyttää kaikkien polyeteenin kanssa yhteensopivien materiaalien kanssa (saatavilla vain 10 tai 60 kpl pakkauksissa).

**Ilman paineensäädinsarja PT-413**

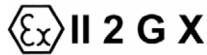
Yksisäätimisten säiliöiden (vain neste) muuntamiseen kaksisäätimiseksi (neste ja ilma). Käytetään siirrettävien ilmakompressoreiden kanssa tai ilmaletkujen kanssa, kun käytettävissä ei ole muita ilmanpaineen säätökeinoja (ilmamuuntajaa tai painesäiliötä).

**Palloventtiili**

Jos haluat asentaa palloventtiilin ilman tuloliitäntään, irrota liitin (viitenro 29). Asenna sen tilalle palloventtiili VA-5432-K (NPS) tai VA-5427-K (BSP).

Nesteen lähtöliittimen sulkuventtiili VA-540 Asenna irrottamalla adapteri (viitenumero 16) ja asentamalla sen tilalle palloventtiili VA-5429-K (BSP) tai VA-5424-K (NPS) (kartiokierre paineensäätimeen).

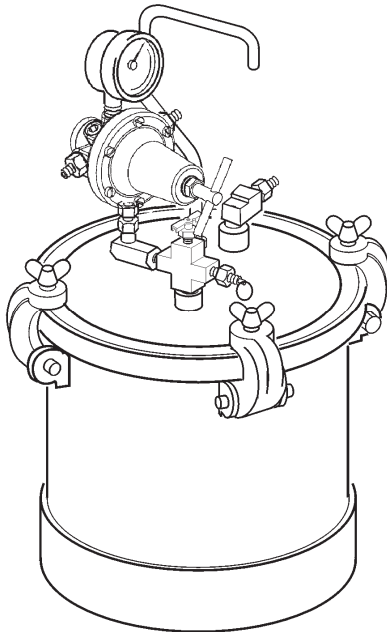
Näiden venttiilien avulla ilma- ja nesteletkujen kiinnittäminen on helpompaa.




RESERVOIR SOUS PRESSION 83C-210-CE & 83Z-210-CE

Petit réservoir – Jusqu'à 9,5 litres

IMPORTANT : Lire attentivement toutes les instructions et les CONSIGNES DE SECURITE avant d'utiliser ce matériel. A conserver comme référence.



DESCRIPTION

Ces réservoirs sous pression sont estampillés CE en conformité avec la Directive sur les équipements sous pression 97/23/EC et la Directive ATEX 94/9/EC Cat 2 G X pour utilisation dans les Zones 1 et 2. Ils sont propres à l'utilisation avec des produits inflammables et hydrodiluable (83Z uniquement).

Ces réservoirs sous pression sont conçus comme des récipients sous pression destinés à dispenser le produit à une pression prédéfinie constante jusqu'à 5,5 bar (80 psi) maximum. Les réservoirs sont construits en conformité avec les spécifications ASME. Les modèles 83C sont construits à partir d'acier au carbone électrozingué. Les modèles 83Z possèdent des conduits à produit et un couvercle en acier inoxydable. Une garniture en polyéthylène est également fournie pour faciliter le nettoyage.

Modèles :

83C-210-CE : Simple régulation, couvercle et enveloppe en acier au carbone électrozingué.

83Z-210 -CE: Simple régulation, enveloppe en acier au carbone électrozingué, passages de produit en acier inoxydable et couvercles pour produits hydrodiluable.

AVERTISSEMENT

Solvants aux hydrocarbures halogénés – par exemple : 1,1,1 - trichloroéthane et chlorure de méthylène – ces produits peuvent réagir chimiquement avec les pièces et les composants en aluminium et créer un risque d'explosion. Ces solvants corrodent le revêtement galvanisé du réservoir. Lire l'étiquette ou la fiche technique du produit. **Ne jamais utiliser de produits contenant ces solvants dans les réservoirs sous pression.**

ATTENTION

Consulter le tableau des spécifications pour confirmer que les liquides et solvants sont chimiquement compatibles avec les pièces humides du réservoir. Avant de verser des produits ou des solvants dans le réservoir, toujours lire la documentation du fabricant et la fiche technique.

AVERTISSEMENT

Les **charges de pression d'air** supérieures aux charges nominales ou les changements apportés au réservoir d'alimentation sous pression peuvent provoquer la rupture ou l'explosion du réservoir.

Une soupape de sûreté protège le réservoir contre la surpression. A chaque utilisation, tirer l'anneau de la soupape de sûreté pour vérifier qu'elle fonctionne librement et décharge la pression d'air. Si la soupape est coincée, ne fonctionne pas librement ou ne décharge pas la pression d'air, elle doit être remplacée. Ne jamais enlever la soupape, la régler ou la remplacer par une autre.

Tout changement apporté au réservoir d'air l'affaiblira. Ne jamais percer, souder ou modifier le réservoir de quelque manière que ce soit.

La pression de service maximale de ce réservoir est de 5,5 bar (80 psi).

AVERTISSEMENT

De l'**électricité statique** peut être créée par le produit qui circule dans le réservoir sous pression et le flexible. Des étincelles peuvent se produire si toutes les pièces ne sont pas correctement mises à la masse. Les étincelles peuvent enflammer les vapeurs dégagées par les solvants et le produit pulvérisé.

Mettre à la masse le réservoir sous pression en utilisant des flexibles d'air conducteurs et/ou utiliser un collier de mise à la masse homologué ATEX et relier l'autre extrémité à la terre vraie.

Si de l'électricité statique ou une légère décharge électrique est ressentie pendant la pulvérisation, s'arrêter immédiatement. Contrôler la continuité à la masse avant de poursuivre.

AVERTISSEMENT

Procédure de décharge de la pression

Une haute pression peut causer de graves blessures. La pression est maintenue dans le réservoir sous pression après l'arrêt du système. Avant de déposer le couvercle, toujours évacuer la pression comme suit :

1. Couper l'arrivée d'air principale du réservoir.
2. Fermer le robinet d'entrée d'air situé sur le collecteur d'air du réservoir.
3. Purger l'air du réservoir en tournant la vis à oreilles de la valve d'évacuation d'air dans le sens inverse des aiguilles d'une montre. Attendre que tout l'air soit évacué par la valve avant de déposer le couvercle du réservoir sous pression.
4. Laisser ouverte la valve d'évacuation d'air jusqu'à ce que le couvercle soit reposé.

CONSIGNES DE SECURITE

Les informations contenues dans ce manuel sont importantes et il convient de les lire et les comprendre. Ces informations concernent la SECURITE DE L'UTILISATEUR et la PREVENTION DES PANNES DE MATERIEL. Les symboles suivants permettent de repérer facilement ces informations. Il est essentiel d'en tenir compte.



Information importante qui explique comment éviter d'endommager le matériel ou comment éviter une situation susceptible de causer des blessures sans gravité.



Information importante sur la sécurité - Un danger qui peut causer des blessures graves ou la mort.

REMARQUE

Information méritant une attention particulière.



Les dangers suivants existent pendant l'utilisation normale de ce matériel. Consulter le tableau suivant.





RISQUE	CAUSE	MESURES DE PROTECTION
INCENDIE 	Les solvants et produits peuvent être hautement combustibles, surtout lors de la pulvérisation.	<ol style="list-style-type: none"> 1. Prévoir un échappement adéquat pour éviter l'accumulation de vapeurs inflammables dans l'atmosphère. 2. Il est strictement interdit de fumer dans la zone de pulvérisation. 3. Du matériel d'extinction d'incendie doit toujours être présent dans la zone de pulvérisation.
INCENDIE - RESERVOIR SOUS PRESSION 	Les vapeurs de liquides inflammables peuvent s'enflammer ou exploser.	<ol style="list-style-type: none"> 1. Le réservoir doit se trouver à 3 mètres ou plus des sources d'inflammation, y compris les surfaces chaudes, les étincelles mécaniques et les équipements électriques produisant des étincelles (non antidéflagrants).
INHALATION DE SUBSTANCES TOXIQUES 	Certains produits peuvent être nocifs en cas d'inhalation ou de contact avec la peau.	<ol style="list-style-type: none"> 1. Observer les exigences de la fiche signalétique fournie par le fabricant du produit. 2. Prévoir un échappement adéquat pour éviter l'accumulation de produits toxiques dans l'atmosphère. 3. Utiliser un masque ou un appareil respiratoire s'il existe un risque d'inhalation des produits pulvérisés. Le matériau de fabrication du masque doit être compatible avec le produit pulvérisé.
EXPLOSION/RUPTURE DU RESERVOIR SOUS PRESSION 	Les changements ou modifications du réservoir sous pression peuvent l'affaiblir.	<ol style="list-style-type: none"> 1. Ne jamais percer, souder ou modifier le réservoir de quelque manière que ce soit. 2. Ne pas régler, déposer ou modifier la soupape de sûreté. 3. Toujours remplacer la soupape de sûreté par la pièce de rechange correcte mentionnée dans la liste. 4. Ne pas monter une soupape de sûreté dont la capacité de pression est supérieure à la pression de service maximale du réservoir.
SECURITE GENERALE	Une utilisation ou un entretien non conforme peut créer un danger.	Les utilisateurs doivent recevoir une formation adéquate à l'utilisation et à l'entretien de cet appareil.

TABLE DES N° DE REF.

Code réservoir	Poids (kg)	Hauteur (mm)
83C-210-CE	12,8	485
83Z-210-CE	12,8	485

SPECIFICATION

Capacité du réservoir	9,5 litres
Pression de service maximale	5,5 bar (80 psi)
Pression de consigne de soupape de sûreté	5,5 bar (80 psi)
Dimension d'entrée d'air	1/4" NPS ou BSP (M)
Dimension de sortie de produit	3/8" NPS ou BSP (M)

MATERIAUX DE CONSTRUCTION

Enveloppe du réservoir	SA-620 Acier zingué H. R. 2,7 mm (calibre 8)
Couvercle de réservoir	83C SA-414 Acier zingué H. R. 4,2 mm (3/16")
	83Z Acier inoxydable 304 4,2 mm (calibre 8)
TUBE à produit	83C Acier galvanisé
	83Z Acier inoxydable
Collecteur d'air	Acier laminé à froid zingué
Sortie de produit	83C Acier galvanisé
	83Z Acier inoxydable
Joint de couvercle	Santoprene

INSTALLATION

Mixer et préparer le produit conformément aux instructions du fabricant. Filtrer le produit avec une crépine à mailles fines (60 ou 90 mailles) pour éliminer toutes les particules susceptibles de pénétrer et de colmater les passages.

- Toujours évacuer toute la pression d'air du réservoir. Tirer l'anneau sur la soupape de sûreté jusqu'à ce que la pression s'échappe.
- Desserrer les vis à oreilles, basculer les fixations du couvercle en arrière et déposer l'ensemble couvercle.
- Verser le produit dans le réservoir. Voir les accessoires pour les garnitures jetables du réservoir. Un récipient d'un gallon peut aussi être utilisé si on coupe en biais 5 mm à l'extrémité du tube de produit.
- Reposer l'ensemble couvercle et serrer fermement les fixations et les vis à oreilles.
- Si possible, faire passer le conduit d'alimentation d'air dans le filtre à air/régulateur pour filtrer les particules en suspension dans l'air et éliminer l'eau et l'huile entraînées. Voir les **ACCESSOIRES** pour les filtres disponibles. Raccorder le flexible d'alimentation d'air au raccord d'entrée d'air sur le régulateur du réservoir.
- Raccorder le flexible d'air de pulvérisation au raccord de sortie d'air qui se trouve juste en face du raccord d'entrée d'air.
- Raccorder le flexible de produit au raccord de sortie de produit.

8. Une configuration type est représentée à la

FONCTIONNEMENT

- Ouvrir l'arrivée d'air.
- Tourner la vis de réglage de la poignée en T dans le sens des aiguilles d'une montre sur le régulateur du réservoir pour augmenter la pression du produit : la tourner dans le sens inverse des aiguilles d'une montre pour diminuer la pression. La pression maximale du réservoir est de 5,5 bar.
- L'air de pulvérisation pour le pistolet peut être réglé sur le pistolet même à l'aide d'une soupape de réglage d'air (HAV-501) ou, avec le régulateur d'air additionnel PT-413 disponible comme accessoire (voir P6).
- Voir le mode d'emploi du pistolet de pulvérisation pour tout renseignement sur son utilisation.

ATTENTION

Si un raccord rapide est utilisé à l'entrée du régulateur du réservoir sous pression, ne pas le déconnecter tant que le réservoir est sous pression, à moins que le robinet ne soit fermé. Dans le cas contraire, la pression du réservoir sera évacuée rapidement, ce qui peut faire remonter la peinture dans le régulateur d'air et le

moteur pneumatique, selon le niveau du produit dans le réservoir. La pression du réservoir doit toujours être évacuée en tournant le régulateur à fond dans le sens inverse des aiguilles d'une montre ou en tirant l'anneau de la soupape de sûreté.

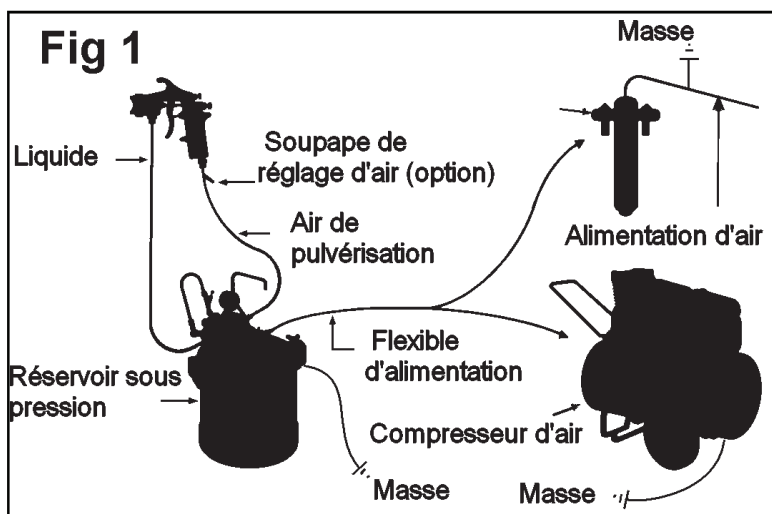
ATTENTION

ENTRETIEN PREVENTIF

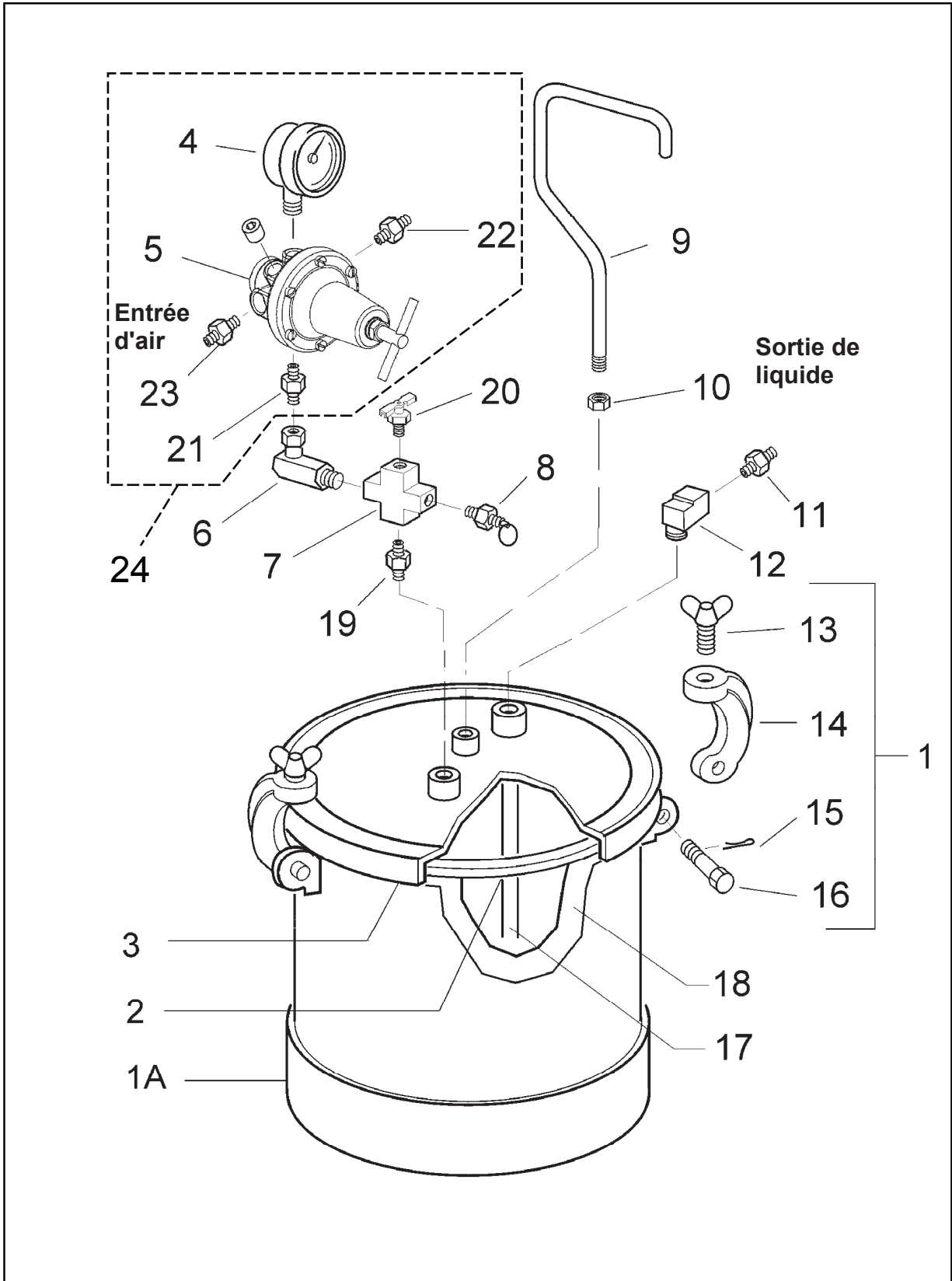
Pour nettoyer le matériel :

- Couper l'arrivée d'air principale du réservoir.
- Tourner la vis de réglage de la poignée en T sur le régulateur du réservoir dans le sens inverse des aiguilles d'une montre jusqu'à ce que la tension du ressort soit supprimée.
- Evacuer toute la pression du réservoir en tirant l'anneau de la soupape de sûreté jusqu'à ce que la pression s'échappe.
- Desserrer les vis à oreilles, basculer les fixations du couvercle en arrière et basculer le couvercle d'un côté.
- Desserrer la bague de retenue du chapeau d'air de trois tours.
- Pour vidanger le flexible d'alimentation de produit du pistolet, déposer le chapeau d'air et le reposer en le vissant de 2 tours. Ouvrir l'arrivée d'air du pistolet et actionner le pistolet dans la cabine pour créer une contre-pression dans la conduite de produit et forcer le retour du produit dans le réservoir.
- Vider et nettoyer le réservoir et les pièces en contact avec le produit. Utiliser un produit nettoyant approprié.
- Verser le produit nettoyant dans le réservoir.
- Reposer le couvercle et fermer les fixations et serrer les vis à oreilles.
- Pulvériser jusqu'à ce que le liquide pulvérisé soit propre.
- Répéter les étapes 5 à 7.

La soupape de sûreté doit être toujours propre. Vérifier régulièrement qu'elle peut fonctionner librement en tirant l'anneau.

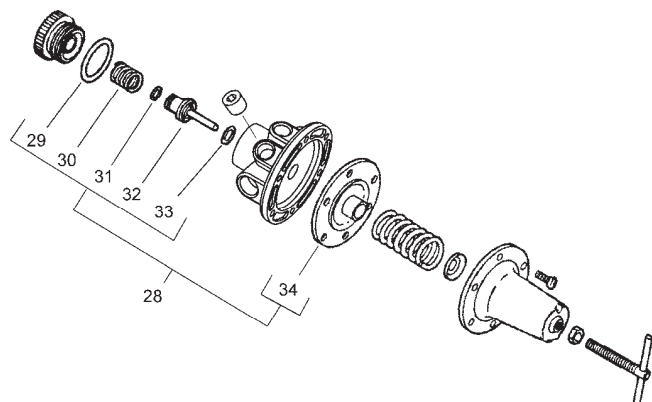


Repère	N° de réf.	Description	Qté requise
1	PT-423	Ensemble réservoir Kit (comprend réf. 1A, 13, 14, 15 & 16)	1
1A	PT-420	Enveloppe du réservoir	1
2	PT-33-1	Joint de couvercle, Santoprene	1
3	PT-426	83C Couvercle, zingué	1
	PT-422	83Z Couvercle en acier inoxydable	1
4	83-2727	Manomètre	1
5	HAR-511	Régulateur	1
6	SSP-30-ZN	Adaptateur orientable 90° 1/4" NPS (F) x 1/4" NPT (M)	1
7		Croix 1/4" NPT (F)	1
8	TIA-5080-CE	Soupape de sécurité - 80 psi	1
9	PT-32	Poignée	1
10		Ecrou hex. 3/8" – 16	1
11	AD-11	83C (NPT) Raccord fileté 3/8" NPT (M) x 3/8" NPT (M)	1
	2101007	83C (BSP) Raccord fileté 3/8" NPT (M) x 3/8" BSP (M)	1
	SSP-459	83Z (NPT) Raccord fileté 3/8" NPT (M) x 3/8" NPT (M) acier inox.	1
	CT-1164	83Z (BSP) Raccord fileté 3/8" NPT (M) x 3/8" BSP (M) acier inox.	1
12	SSP-1939	Coude mâle/femelle 3/8" NPT (M) x 3/8" (M) acier inox.	1
13	PT-79	Vis à oreilles	4
14	————	Ensemble chape	4
15	————	Goupille fendue, 3/32 x 1"	4
16	————	Axe d'articulation	4
17	PT-31	83C Tube à produit	1
17	QMS-9-1	83Z Tube de produit en acier inox.	1
18	PT-78-K10 ou PT-78-K60	Garniture de réservoir (jeu de 10 ou 60)	1
19	SSP-462-ZN	Raccord fileté hex. 1/4" NPT (M)	1
20	SS-2707	Clapet de décharge d'air	1
21	83-4233	Raccord fileté D.M (83C-210)	1
22	H-2008	(NPS) Raccord fileté 1/4" NPT (M) x 1/4" NPS (M)	1
	2101004	(BSP) Raccord fileté 1/4" NPT (M) x 1/4" BSP (M)	1
23	83-4233	(NPS) Raccord fileté 3/8" NPT (M) x 1/4" NPS (M)	1
	2101005	(BSP) Raccord fileté 3/8" NPT (M) x 1/4" BSP (M)	1
24	85-451	Ensemble de contrôle d'air	1



Vue éclatée du réservoir sous pression 83C & 83Z-210-CE

ENSEMBLES REGULATEUR Réf. 10 HAR-511



Repère	N° de réf.	Description	Qté requise
28	KK-4977	Kit de réparation	1
+ 29	—	Joint torique	1
+ 30	—	Ressort	1
+ 31	—	Joint torique	1
+ 32	—	Soupape	1
+ 33	—	Joint torique	1
+ 34	—	Ensemble membrane	1

Contrôles d'entretien

Problème	Cause	Solution
Fuite d'air par l'orifice du chapeau d'air	Membrane rompue ou endommagée (repère 34)	Remplacer la membrane.
Légère fuite de pression enregistrée au manomètre	Siège de soupape encrassé ou usé dans le régulateur	Nettoyer ou remplacer le siège de soupape.
Fuite d'air de la soupape de sûreté inférieure à la pression de service maximale	Siège de la soupape encrassé ou endommagé, ou ensemble tige de soupape coincé.	Remplacer la soupape de sûreté. N'essayer pas de la réparer.
Fuite de produit ou d'air par le joint du couvercle.	Joint de couvercle défectueux (repère 2) Les vis à oreilles ne sont pas suffisamment serrées.	Remplacer le joint. Serrer les vis.

Remarque : Contrôler le manomètre de temps à autre (repère 9). L'aiguille doit revenir à zéro quand la pression est nulle au manomètre.

ACCESSOIRES

Garniture PT-78-K10 & PT-78-K60.

Une garniture moulée en polyéthylène qui réduit le temps de nettoyage du réservoir. Cette garniture en polyéthylène étanche, durable et résistant peut être réutilisée. Elle peut être utilisée avec n'importe quel produit compatible avec le polyéthylène. (Conditionnée par 10 et 60 uniquement.)

Kit régulateur d'air PT-413.

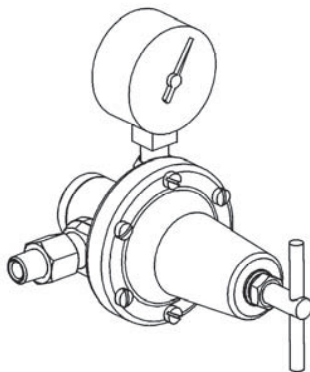
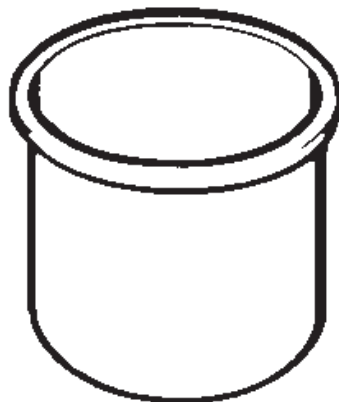
Permet de convertir les réservoirs à simple régulation (liquide seulement) en réservoirs à double régulation (air et liquide). Utilisé avec les compresseurs d'air portables ou avec les conduites d'air quand aucune autre méthode de régulation la pression d'air (transformateurs ou régulateurs d'air) n'est disponible.

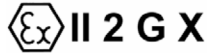
Robinets.

Pour ajouter un robinet à l'entrée d'air, déposer le raccord fileté (repère 29). Le remplacer par le robinet VA-5432-K (NPS) ou VA-5427-K (BSP).

Soupape d'arrêt de sortie de produit VA-540. Pour la monter, déposer l'adaptateur (repère 16), le remplacer par le robinet VA-5429-K (BSP) ou VA-5424-K (NPS) (filetage conique au régulateur).

Ces valves simplifient le raccordement des flexibles d'air et de produit.

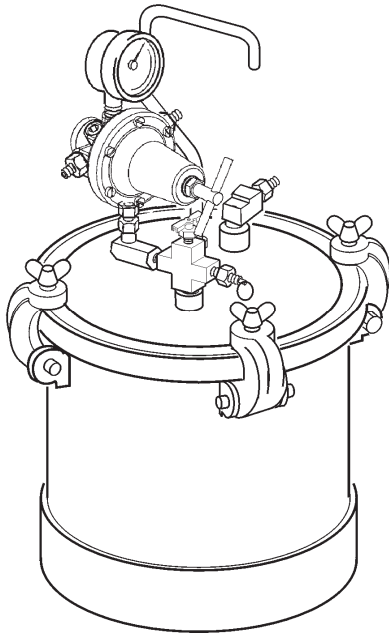



BINKS®

SERBATOIO A PRESSIONE 83C-210-CE & 83Z-210-CE

Serbatoio piccolo - Fino a 9,5 litri (2,8 galloni)

IMPORTANTE: Leggere e seguire tutte le istruzioni e le PRECAUZIONI DI SICUREZZA, prima di utilizzare questa attrezzatura. Conservarle per consultazioni future.



DESCRIZIONE

Questi serbatoi a pressione sono contrassegnati dal marchio CE in conformità con la Direttiva 97/23/CE sulle attrezzature a pressione e la Direttiva ATEX 94/9/CE Cat 2 G X per l'uso nelle Zone 1 e 2. Sono adatti all'utilizzo con materiali infiammabili e a base di acqua (solo 83Z).

Questi serbatoi a pressione sono stati progettati come contenitori a pressione per l'erogazione di materiale liquido ad una pressione preimpostata costante fino a max. 5,5 bar (80 psi). I serbatoi sono stati realizzati in base alle specifiche ASME. I modelli 83C sono realizzati in acciaio al carbonio con zincatura elettrolitica. I modelli 83Z sono dotati di passaggi per liquidi in acciaio inox e di un coperchio A con rivestimento in polietilene per una pulizia semplice.

Modelli:

83C-210-CE: regolazione singola, coperchio e cassa in acciaio al carbonio con zincatura elettrolitica.

83Z-210-CE: regolazione singola, cassa acciaio al carbonio con zincatura elettrolitica, passaggi per liquidi in acciaio inox e coperchi per materiali a base di acqua.

AVVERTENZA

Solventi di idrocarburi alogenati - ad esempio: 1,1,1-tricloroetano e cloruro di metilene possono innescare reazioni chimiche se posti a contatto con parti e componenti in alluminio e comportare il rischio di esplosione. Inoltre, questi solventi sono in grado di corrodere il rivestimento galvanizzato dei serbatoi. Leggere attentamente l'etichetta e il foglio delle caratteristiche tecniche del materiale. **Non utilizzare materiali contenenti tali solventi con questi serbatoi a pressione.**

ATTENZIONE

Consultare la tabella delle specifiche per assicurarsi che i liquidi e i solventi utilizzati siano chimicamente compatibili con le parti umide del serbatoio. Prima di introdurre liquidi o solventi nel serbatoio, leggere sempre le istruzioni e la scheda di sicurezza dei materiali fornite dal produttore.

AVVERTENZA

Carichi di pressione di aria superiori a quelli previsti, o modifiche apportate al serbatoio a pressione possono provocare rotture o esplosioni dello stesso.

· Il serbatoio è provvisto di una valvola di sicurezza per evitare sovrappressioni. Durante ogni utilizzo, tirare l'anello della valvola di sicurezza per assicurarsi che funzioni liberamente e che scarichi la pressione dell'aria. Se la valvola è bloccata, non funziona liberamente oppure non scarica la pressione dell'aria, deve essere sostituita. Non eliminare, effettuare regolazioni o sostituzioni alla valvola.

· Le modifiche apportate al serbatoio dell'aria lo indeboliscono. Non praticare fori, saldature o modifiche al serbatoio per nessun motivo.

· La pressione di esercizio massima di questo serbatoio è di 5,5 bar (80 psi).

AVVERTENZA

Il passaggio del flusso o dei liquidi attraverso il serbatoio a pressione e i tubi può generare **elettricità statica**. Se tutte le parti non sono collegate correttamente a terra, possono essere generate scintille elettrostatiche, in grado di incendiare i vapori generati dai solventi e i fluidi da spruzzare.

Collegare a terra il serbatoio a pressione utilizzando tubi dell'aria conduttori e/o collegare un morsetto di terra con approvazione ATEX dal serbatoio e dall'altra estremità ad una vera massa.

Se si verificano scintille elettrostatiche oppure impatti lievi quando si utilizza l'attrezzatura, arrestare immediatamente la nebulizzazione. Controllare la continuità del collegamento di terra prima di continuare ad utilizzare l'attrezzatura.

AVVERTENZA

Procedura di scarico della pressione

La pressione elevata può provocare gravi lesioni. Dopo aver spento il sistema, la pressione viene conservata in un serbatoio a pressione. Prima di provare a rimuovere il coperchio, scaricare la pressione procedendo come segue:

1. Disattivare l'alimentazione dell'aria principale al serbatoio.
2. Chiudere la valvola di entrata dell'aria collocata sul collettore dell'aria del serbatoio.
3. Eliminare l'aria del serbatoio ruotando in senso antiorario la vite ad alette della valvola di scarico dell'aria. Attendere che tutta l'aria sia fuoriuscita dalla valvola prima di rimuovere il coperchio del serbatoio a pressione.
4. Lasciare la valvola di scarico dell'aria aperta fino a quando il coperchio non viene reinstallato.

PRECAUZIONI DI SICUREZZA

Il presente manuale contiene informazioni importanti che è necessario conoscere e comprendere. Tali informazioni si riferiscono alla SICUREZZA DELL'UTENTE e alla PREVENZIONE DEI PROBLEMI DELL'ATTREZZATURA. Per semplificare il riconoscimento di tali informazioni, vengono utilizzati i seguenti simboli. Prestare particolare attenzione a queste sezioni



Informazioni importanti relative alla prevenzione di danni all'attrezzatura o al modo in cui evitare una situazione che può causare lesioni minori.



Informazioni di sicurezza importanti - Pericolo che può provocare lesioni gravi o morte.

NOTA

Informazioni alle quali è necessario prestare attenzione



I seguenti pericoli potrebbero rivelarsi di conseguenza all'uso ordinario di questo sistema. Si prega di leggere attentamente la tabella seguente.





PERICOLO	CAUSA	PRECAUZIONI
<p>INCENDIO</p> 	<p>I solventi e i prodotti vernicianti possono essere altamente combustibili, soprattutto se nebulizzati.</p>	<ol style="list-style-type: none"> 1. Per mantenere l'aria libera da accumuli di vapori infiammabili, installare uno scarico adeguato 2. Proibire in ogni caso il fumo nell'area di nebulizzazione. 3. Nell'area di nebulizzazione devono essere presenti estintori.
<p>INCENDI - SERBATOIO A PRESSIONE</p> 	<p>I vapori generate da liquidi infiammabili possono incendiarsi o esplodere</p>	<ol style="list-style-type: none"> 1. Tenere il serbatoio ad una distanza di almeno 3 metri dalle fonti di ignizione, comprese superfici calde, scintille meccaniche e dispositivi elettrici con formazione di arco (non a prova di esplosione).
<p>INALAZIONE DI SOSTANZE TOSSICHE</p> 	<p>Alcuni materiali possono essere pericolosi se inalati, oppure se entrano a contatto con la pelle.</p>	<ol style="list-style-type: none"> 1. Attenersi ai requisiti della scheda di sicurezza del produttore del materiale. 2. Per mantenere l'aria libera da accumuli di materiali tossici, installare uno scarico adeguato. 3. Utilizzare una maschera o un respiratore ove vi sia il rischio di inalazione di materiali nebulizzati. La maschera deve essere adatta al materiale nebulizzato.
<p>ESPLOSIONE, SERBATOIO A PRESSIONE - ROTTURA</p> 	<p>Cambiamenti o modifiche apportate al serbatoio a pressione possono indebolirlo.</p>	<ol style="list-style-type: none"> 1. Non praticare fori, saldature o modifiche al serbatoio per nessun motivo. 2. Non regolare, rimuovere né manomettere la valvola di sicurezza. 3. Sostituire la valvola di sicurezza solo con il ricambio corretto elencato. 4. Non installare altre valvole di sicurezza con una pressione nominale superiore alla pressione di esercizio massima del serbatoio.
<p>SICUREZZA GENERALE</p>	<p>L'uso improprio o operazioni di manutenzione inadeguate possono generare pericoli.</p>	<p>È opportuno che gli operatori ricevano un adeguato addestramento per l'uso e la manutenzione dell'attrezzatura.</p>

TABELLA NUMERO COMPONENTE

Codice serbatoio	Peso (kg)	Altezza (mm)
83C-210-CE	12,8	485
83Z-210-CE	12,8	485

SPECIFICHE

Capacità serbatoio	9,5 litri
Pressione nominale massima	5,5 bar (80 psi)
Pressione impostata valvola a pressione	5,5 bar (80 psi)
Dimensione ingresso aria	1/4" NPS o BSP (M)
Dimensione uscita liquidi	3/8" NPS o BSP (M)

MATERIALI DELLA STRUTTURA

Cassa serbatoio		Piastra zincata in acciaio ad elevata resistenza SA-620 2,7 mm (spessore 8)
Coperchio serbatoio	83C	Piastra zincata in acciaio ad elevata resistenza SA-414 4,2 mm (3/16")
	83Z	Acciaio inox 304 da 4,2 mm (spessore 8)
Tubo liquido	83C	Acciaio, piastra in zinco galvanizzato
	83Z	Acciaio inox
Collettore dell'aria		Acciaio zincato laminato a freddo
Uscita liquido	83C	Acciaio, piastra in zinco galvanizzato
	83Z	Acciaio inox
Guarnizione coperchio		Santoprene

INSTALLAZIONE

Miscelare e preparare il materiale da utilizzare seguendo le istruzioni fornite dal produttore. Filtrare il materiale con un filtro a maglia fine (maglia da 60 o 90) per rimuovere tutte le sostanze estranee che potrebbero entrare e ostruire il passaggio del materiale.

1. Scaricare sempre tutta la pressione dell'aria contenuta nel serbatoio. Tirare l'anello della valvola di sicurezza fino ad eliminare la pressione.
2. Allentare le viti ad alette, inclinare all'indietro i morsetti del coperchio e rimuovere il gruppo coperchio.
3. Versare il materiale nel serbatoio. Vedere gli accessori per i rivestimenti monouso del serbatoio. È possibile anche utilizzare un contenitore da un gallone tagliando e rimuovendo 5 mm dell'estremità del tubo del liquido in un angolo.
4. Riposizionare il gruppo coperchio e serrare bene i morsetti e le viti ad alette.
5. Se possibile, la linea di alimentazione dell'aria deve passare attraverso un filtro dell'aria/regolatore per filtrare la sporcizia presente nell'aria e rimuovere l'acqua e l'olio penetrati. Per i filtri disponibili, vedere la sezione **ACCESSORI**. Collegare il tubo di alimentazione dell'aria al raccordo di entrata dell'aria sul regolatore del serbatoio.
6. Collegare il tubo dell'aria di nebulizzazione al raccordo di uscita dell'aria, nella parte opposta al raccordo di entrata dell'aria.

7. Collegare il tubo del materiale al raccordo di uscita del liquido.
8. La Figura 1 mostra una configurazione tipica.

FUNZIONAMENTO

1. Attivare l'alimentazione dell'aria.
2. Ruotare in senso orario la vite di regolazione con impugnatura a T sul regolatore del serbatoio per aumentare la pressione del materiale: per ridurre la pressione, ruotarla in senso antiorario. La pressione massima del serbatoio è 5,5 bar
3. L'aria di nebulizzazione per la pistola a spruzzo può essere regolata mediante una valvola di regolazione dell'aria (HAV-501) oppure con il regolatore dell'aria aggiuntivo PT-413, disponibile come accessorio (ved. P6).
4. Per il funzionamento della pistola, consultare le istruzioni della pistola a spruzzo.

ATTENZIONE

Se si utilizza un raccordo dell'aria a innesto rapido all'ingresso del regolatore del serbatoio a pressione, non scollegare tale raccordo quando il serbatoio è pressurizzato, a meno che la valvola a sfera non sia chiusa.

In tal modo, la pressione del serbatoio viene scaricata rapidamente e può potenzialmente far rientrare la vernice attraverso il regolatore dell'aria e il motore dell'aria, a seconda del

livello di liquido presente nel serbatoio. Scaricare sempre la pressione ruotando il regolatore completamente in senso antiorario oppure tirando l'anello della valvola di sicurezza.

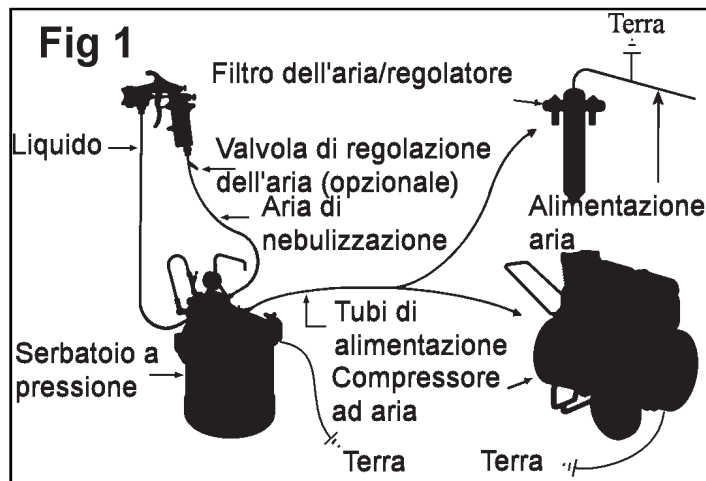
ATTENZIONE

MANUTENZIONE PREVENTIVA

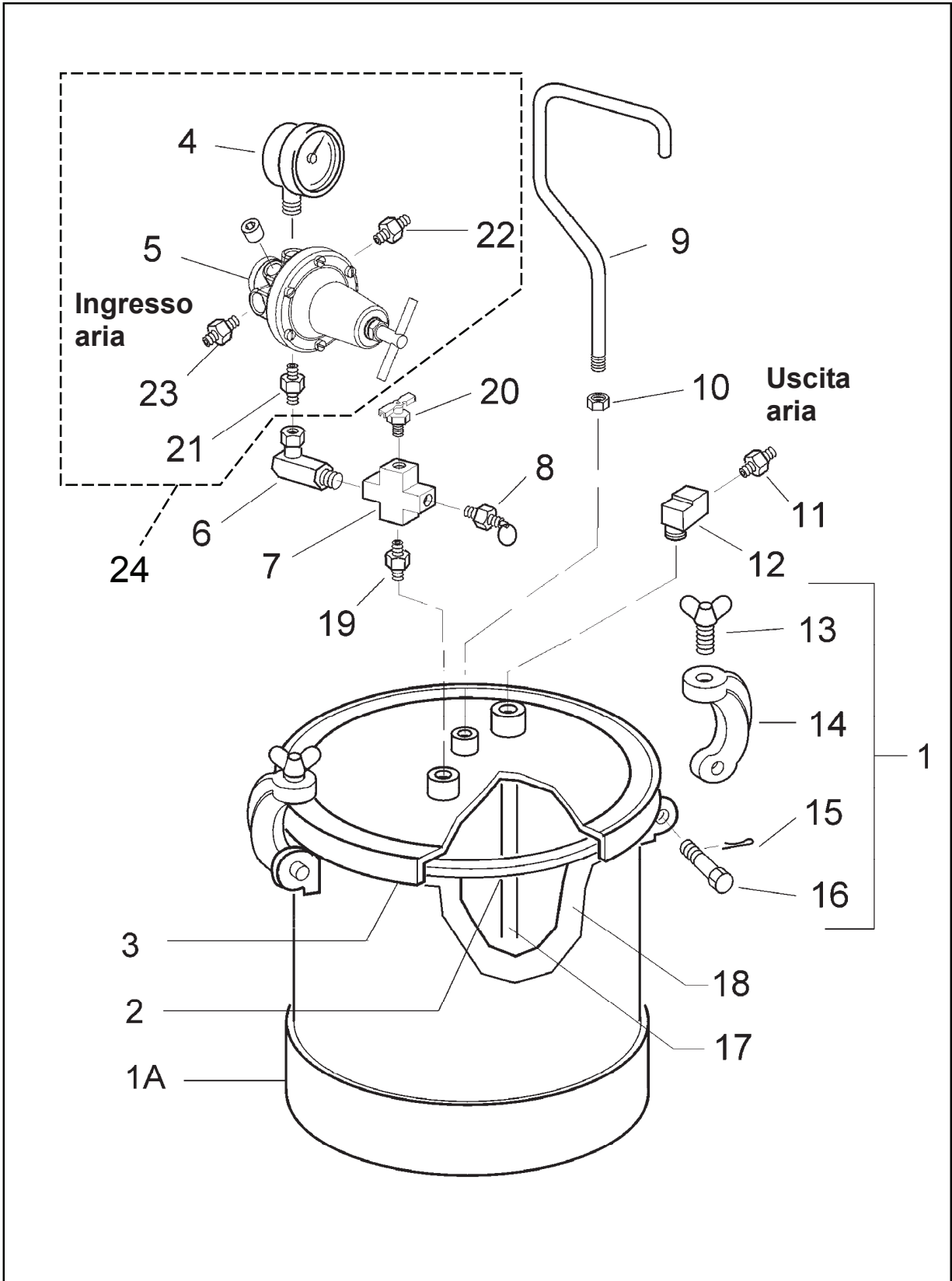
Pulizia dell'attrezzatura:

1. Disattivare l'alimentazione dell'aria principale al serbatoio.
2. Ruotare in senso antiorario la vite di regolazione con impugnatura a T del regolatore del serbatoio fino a percepire la tensione della molla.
3. Scaricare tutta la pressione dal serbatoio tirando l'anello della valvola di sicurezza fino ad eliminare la pressione.
4. Allentare le viti ad alette, inclinare all'indietro i morsetti e il coperchio del serbatoio su un lato.
5. Allentare l'anello di ritenuta del cappello aria della pistola a spruzzo di circa tre giri.
6. Per scaricare il tubo di alimentazione del fluido della pistola, rimuovere il cappello aria e riposizionarlo ruotandolo di circa 2 giri. Attivare l'alimentazione dell'aria della pistola a spruzzo e azionare la pistola a spruzzo nella cabina. Questa operazione crea una contropressione nella linea del fluido e spinge il liquido nuovamente nel serbatoio.
7. Svuotare e pulire il serbatoio e le parti a contatto con il materiale. Utilizzare un prodotto per la pulizia adatto.
8. Versare il prodotto per la pulizia nel serbatoio.
9. Riposizionare il coperchio e serrare le viti ad alette e i morsetti.
10. Nebulizzare fino a quando compare la soluzione pulita.
11. Ripetere i punti da 5 a 7.

Tenere sempre pulita la valvola di sicurezza. Controllarla regolarmente tirando l'anello per garantire un funzionamento corretto della valvola.

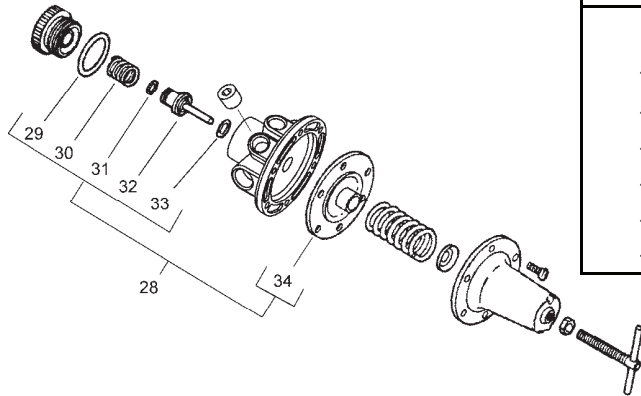


N. rif.	N. comp.	Descrizione	Parti single nec.
1	PT-423	Gruppo serb. Kit (N. rif. 1A, 13, 14, 15 e 16 inclusi)	1
1A	PT-420	Cassa serbatoio	1
2	PT-33-1	Guarnizione coperchio, Santoprene	1
3	PT-426	83C Coperchio, zincato	1
	PT-422	83Z Coperchio, acciaio inox	1
4	83-2727	Manometro	1
5	HAR-511	Regolatore	1
6	SSP-30-ZN	Adattatore a snodo 90° 1/4" NPS (F) x 1/4" NPT (M)	1
7		Croce 1/4" NPT (F)	1
8	TIA-5080-CE	Valvola di sicurezza - 80 psi	1
9	PT-32	Impugnatura	1
10		Dado esagonale 3/8" - 16	1
11	AD-11	83C (NPT) Raccordo filettato 3/8" NPT (M) x 3/8" NPT (M)	1
	2101007	83C (BSP) Raccordo filettato 3/8" NPT (M) x 3/8" BPS (M)	1
	SSP-459	83Z (NPT) Raccordo filettato 3/8" NPT (M) x 3/8" NPT (M) S.S	1
	CT-1164	83Z (BSP) Raccordo filettato 3/8" NPT (M) x 3/8" BPS (M) SS	1
12	SSP-1939	Raccordo a gomito 3/8" NPT (F) x 3/8" (M) S.S	1
13	PT-79	Vite ad alette	4
14	————	Gruppo forcella	4
15	————	Coppiglia, 3/32 x 1"	4
16	————	Perno di cerniera	4
17	PT-31	83C Tubo liquido	1
17	QMS-9-1	83Z Tubo liquido, S.S	1
18	PT-78-K10 o PT-78-K60	Rivestimento serbatoio (Kit da 10 o 60)	1
19	SSP-462-ZN	Raccordo filettato esagonale 1/4" NPT (M)	1
20	SS-2707	Valvola di scarico dell'aria	1
21	83-4233	Raccordo filettato D.M (83C-210)	1
22	H-2008	(NPS) Raccordo filettato 1/4" NPT (M) x 1/4" NPS (M)	1
	2101004	(BSP) Raccordo filettato 1/4" NPT (M) x 1/4" NPS (M)	1
23	83-4233	(NPS) Raccordo filettato 3/8" NPT (M) x 1/4" NPS (M)	1
	2101005	(BSP) Raccordo filettato 3/8" NPT (M) x 1/4" BSP (M)	1
24	85-451	Controllo aria di montaggio	1



Vista esplosa del serbatoio a pressione 83C e 83Z-210-CE

Rif. GRUPPI REGOLATORE 10 HAR-511



N. rif.	N. comp.	Descrizione	Parti singole nec.	
	28	KK-4977	Kit di riparazione	1
+ 29	—	O-ring		1
+ 30	—	Molla		1
+ 31	—	O-ring		1
+ 32	—	Valvola		1
+ 33	—	O-ring		1
+ 34	—	Gruppo membrana		1

Controlli di assistenza

Condizione	Causa	Correzione
Fuoriuscita di aria dalla porta del cappello del regolatore	Membrana rotta o danneggiata (N. rif. 34)	Sostituire la membrana
Dispersione di pressione registrata sul manometro	Sede della valvola sporca o usurata nel regolatore	Pulire o sostituire la sede della valvola
Fuoriuscita di aria dalla valvola di sicurezza ad una pressione inferiore alla pressione di esercizio massima	La sede della valvola è sporca o danneggiata oppure il gruppo stelo della valvola è grippato	Sostituire la valvola di sicurezza. Non ripararla.
Fuoriuscita di liquido o aria dalla guarnizione del coperchio	Guarnizione coperchio difettosa (N. rif. 2) Viti ad alette non serrate sufficientemente	Sostituire la guarnizione Serrare le viti

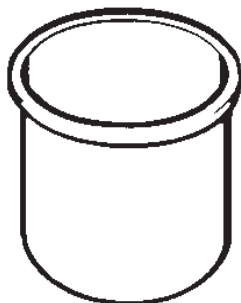
Nota: Controllare saltuariamente il manometro (N. rif. 4). L'ago deve tornare a zero in assenza di pressione.

ACCESSORI

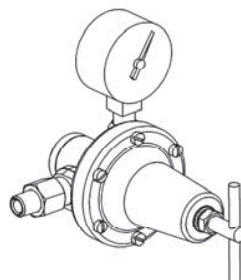
Rivestimento PT-78-K10 e PT-78-K60.

Rivestimento del serbatoio in polietilene modellato che riduce il tempo di pulizia. Il rivestimento è costituito da polietilene duro, resistente, a tenuta e può essere riutilizzato. Può essere utilizzato con tutti i materiali compatibili con il

polietilene.
(Disponibile solo in confezioni da 10 e 60.)

**Kit regolatore dell'aria PT-413.**

Utilizzato per convertire i serbatoi a regolazione singola (solo liquidi) in serbatoi a regolazione doppia (liquidi e aria). Utilizzato con compressori ad aria portatili o con tubazioni dell'aria in cui non sono disponibili altri strumenti (trasformatori o regolatori dell'aria) per la regolazione della pressione dell'aria.

**Valvole a sfera.**

Per aggiungere una valvola a sfera all'ingresso dell'aria, rimuovere il raccordo filettato (N. rif. 29). Sostituire con la valvola a sfera VA-5432-K (NPS) o VA-5427-K (BSP).

Valvola di arresto uscita liquidi

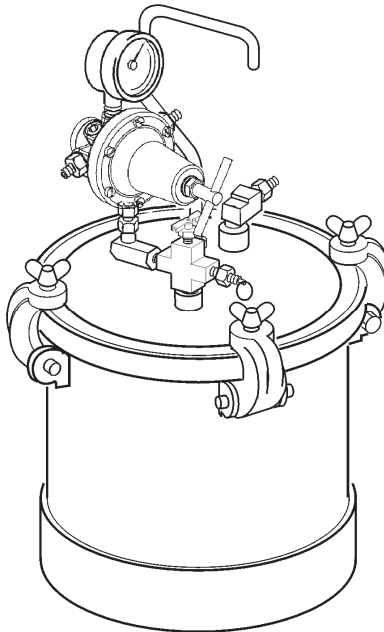
VA-540. Per installarla, rimuovere l'adattatore (N. rif. 16), sostituirla con la valvola a sfera VA-5429-K (BSP) o VA-5424-K (NPS) (filettatura conica verso il regolatore).

Utilizzare queste valvole per semplificare il fissaggio dei tubi dell'aria e dei liquidi.

83C-210-CE & 83Z-210-CE DRUKTANK

Kleine tank - Maximaal 9,5 liter

BELANGRIJK: Voordat deze apparatuur in gebruik wordt genomen, is het zaak alle instructies en **VEILIGHEIDSVOORSCHRIFTEN** te lezen en op te volgen. Bewaar deze als referentiemateriaal voor toekomstig gebruik.



BESCHRIJVING

Deze druktanks zijn voorzien van een **CE-markering** in overeenstemming met de Richtlijn Drukapparatuur (Richtlijn 97/23/EG) en ATEX Richtlijn 94/9/EG betreffende apparaten bedoeld voor gebruik in Zones 1 en 2, beschermingsniveau Cat 2 G X. Zij zijn geschikt voor gebruik met ontvlambare materialen en materialen op waterbasis (uitsluitend 83Z).

Deze druktanks zijn bedoeld voor de toevoer van vloeibaar materiaal bij een vooringestelde constante druk van maximaal 5,5 bar (80 psi). De tanks zijn gebouwd volgens ASME-specificaties. De 83C modellen zijn vervaardigd van elektrolytisch verzinkt koolstofstaal. De 83Z modellen hebben roestvrijstalen doorgangen en een klep. Zij bevatten een polyethyleen binnenzak om reiniging te vergemakkelijken.

Modellen:

83C-210-CE: Vloeistofregeling, klep en wand vervaardigd van elektrolytisch verzinkt koolstofstaal.

83Z-210-CE: Vloeistofregeling, wand vervaardigd van elektrolytisch verzinkt

koolstofstaal, roestvrijstalen doorgangen en kleppen voor materialen op waterbasis.

WAARSCHUWING

Oplosmiddelen die halogeenkoolwaterstof bevatten - bijvoorbeeld: 1,1,1 - trichloroethaan en methyleenchloride - kunnen chemisch reageren met aluminium onderdelen en componenten en explosiegevaar opleveren. Deze oplosmiddelen kunnen ook de verzinkte coating van de tank aantasten. Lees het etiket of het gegevensblad voor het materiaal. Gebruik materialen die deze oplosmiddelen bevatten, niet met deze druktanks.

VOORZICHTIG

Raadpleeg de specificatiekaart om te controleren of de gebruikte vloeistoffen en oplosmiddelen chemisch compatibel zijn met de natte onderdelen van de tank. Alvorens de tank te vullen met een vloeistof of oplosmiddel, moet u altijd het bijgeleverde documentatiemateriaal van de fabrikant en het veiligheidsinformatieblad lezen.

WAARSCHUWING

Als de **drukbelasting** hoger is dan de berekende belasting of als er wijzigingen zijn aangebracht in de druktank, bestaat de kans dat deze scheurt of explodeert.

- Een veiligheidsklep zorgt ervoor dat de druk in de tank niet te hoog wordt. Bij elk gebruik moet u aan de ring op de veiligheidsklep trekken om te controleren of deze onbelemmerd werkt en de luchtdruk vermindert. Als de klep vastzit, niet onbelemmerd werkt of de luchtdruk niet vermindert, moet u de klep vervangen. U mag deze klep niet verwijderen, proberen af te stellen of door iets anders vervangen.

- Een verandering in de tank zal deze minder sterk maken. U mag nooit in de tank boren, deze lassen of op enige wijze veranderen.

- De maximale werkdruk van deze tank is 5,5

WAARSCHUWING

Statische elektriciteit kan worden veroorzaakt door de vloeistofstroom in de druktank en de slang. Als alle onderdelen niet goed zijn geaard, kunnen vonken ontstaan. Vonken kunnen dampen tot ontbranding brengen die worden gevormd bij het spuiten van oplosmiddelen en de vloeistof.

Zorg ervoor dat de druktank is geaard door gebruik te maken van geleidende luchtslangen en/of een ATEX-goedgekeurde aardingsklem vanaf de tank en het andere uiteinde naar een echte aarding.

Als tijdens het gebruik van deze apparatuur statische vonken ontstaan of u een lichte schok voelt, moet u onmiddellijk stoppen met spuiten. Controleer of de apparatuur is geaard voordat u verder gaat met spuiten.

WAARSCHUWING

Drukafvoer

Hoge druk kan ernstig letsel veroorzaken. De druk in een druktank blijft gehandhaafd nadat het systeem is uitgeschakeld. Alvorens de klep te verwijderen, moet de druk op de volgende wijze worden afgevoerd:

1. Schakel de hoofd luchttoevoer naar de tank uit.
2. Sluit de luchtinlaatklep op het luchtverdeelstuk van de tank.
3. Ontlucht de tank door de vingerschroef op de ontluuchtingsklep linksom te draaien. Wacht totdat alle lucht via de ontluuchtingsklep is ontsnapt voordat u de klep van de druktank verwijdert.
4. Laat de ontluuchtingsklep open totdat u de klep hebt teruggeplaatst op de tank.

VEILIGHEIDSMATREGELEN

Deze handleiding bevat informatie die u moet weten en begrijpen. Deze informatie heeft betrekking op GEBRUIKERSVEILIGHEID en het VOORKOMEN VAN PROBLEMEN MET DE APPARATUUR. Om u te attenderen op deze informatie, maken wij gebruik van de volgende symbolen: Wij verzoeken u speciale aandacht te besteden aan de deze rubrieken.


VOORZICHTIG

Belangrijke informatie die vertelt hoe u schade aan de apparatuur kunt voorkomen, of hoe u een situatie kunt vermijden die lichte verwondingen veroorzaakt.


WAARSCHUWING





Belangrijke veiligheidsinformatie – Risico op ernstig letsel of de dood.

OPMERKING

Informatie waaraan speciale aandacht moet worden besteed.


WAARSCHUWING

De volgende risico's kunnen ontstaan bij normaal gebruik. Wij verzoeken u de volgende kaart te lezen:

RISICO	OORZAAK	VEILIGHEIDSMATREGELEN
BRAND 	Oplosmiddelen en coatings kunnen zeer brandbaar zijn, in het bijzonder als zij worden gespoten.	<ol style="list-style-type: none"> 1. Adequate afzuiginstallatie om opeenhoping van ontvlambare dampen in de lucht te voorkomen. 2. Een rookverbod voor de spuitruimte. 3. Plaatsing van brandblusapparatuur in de spuitruimte.
BRAND - DRUKTANK 	Dampen van ontvlambare vloeistoffen kunnen tot ontbranding komen of exploderen.	<ol style="list-style-type: none"> 1. Houd de tank minstens 3 meter uit de buurt van een ontstekingsbron, zoals hete oppervlakken, mechanische vonken en vonkende (niet-explosieveilige) elektrische apparaten.
INADEMING VAN GIFTIGE STOFFEN 	Sommige materialen kunnen schadelijk zijn bij inademing of huidcontact.	<ol style="list-style-type: none"> 1. Houd u aan de voorschriften van het veiligheidsinformatieblad dat de fabrikant van het coatingmateriaal heeft verstrekt. 2. Zorg voor een adequate afzuiginstallatie om opeenhoping van giftig materiaal in de lucht te voorkomen. 3. Gebruik een gasmasker of een ademhalingsapparaat bij kans op inademing van spuitmateriaal. Het gasmasker moet geschikt zijn voor het materiaal dat wordt gespoten.
EXPLOSIE, DRUKTANK - SCHEUREN 	Verandering of wijzigingen aan de druktank kunnen deze minder sterk maken.	<ol style="list-style-type: none"> 1. U mag nooit in de tank boren, deze lassen of op enige wijze veranderen. 2. U mag nooit aan de veiligheidsklep komen, deze proberen af te stellen of verwijderen. 3. Gebruik ter vervanging van de veiligheidsklep uitsluitend het juiste onderdeel (zie lijst). 4. Monteer nooit een veiligheidsklep met hogere nominale druk dan de maximale werkdruk van de tank.
ALGEMENE VEILIGHEID	Verkeerd gebruik of onderhoud kan risico's opleveren.	Gebruikers moeten op adequate wijze worden getraind in het veilige gebruik en het onderhoud van deze apparatuur.

ONDERDEELNUMMERKAART

Tankcode	Gewicht (kg)	Hoogte (mm)
83C-210-CE	12,8	485
83Z-210-CE	12,8	485

SPECIFICATIE

Tankinhoud	9,5 liter
Maximale werkdruk	5,5 bar (80 psi)
Ingestelde druk veiligheidsklep	5,5 bar (80 psi)
Maat luchtinlaat	1/4" NPS of BSP (M)
Maat vloeistofuitlaat	3/8" NPS of BSP (M)

CONSTRUCTIEMATERIAAL

Wand	SA-620 warmgewalst staal, verzinkt 2,7 mm (8 gauge)
Klep	83C SA-414 warmgewalst staal, verzinkt 4,2 mm (3/16")
	83Z 304 roestvrij staal 4,2 mm (8 gauge)
Vloeistofbuis	83C Staal, verzinkt
	83Z Roestvrij staal
Luchtverdeelstuk	CRS verzinkt
Vloeistofuitlaat	83C Staal, verzinkt
	83Z Roestvrij staal
Pakking van tankklep	Santopreen

INSTALLATIE

Meng en prepareer het te spuiten materiaal volgens de instructies van de fabrikant. Zeef het materiaal met een fijnmazige zeef (60- of 90-mazig) om alle vreemde deeltjes te verwijderen die kunnen binnendringen en de doorgangen zouden kunnen verstopen.

- Haal altijd alle druk in de tank weg. Trek aan de ring op de veiligheidsklep totdat de tank is ontucht.
- Draai de vingerschroeven los, zet de klemmen van de klep naar achteren en verwijder de klep.
- Giet het materiaal in de tank. Zie accessoires voor wegwerpzakken voor de tank. Een bak met een inhoud van ongeveer 4,5 liter kan ook worden gebruikt door 5 mm schuin af te snijden van het uiteinde van de vloeistofbuis.
- Plaats de klep terug en zet de klemmen en de vingerschroeven stevig vast.
- Indien mogelijk moet de luchtleiding door een luchtfilter/regelaar lopen om de lucht te reinigen van vuil en meegevoerd water en olie te verwijderen. Zie **ACCESSOIRES** voor verkrijgbare filters. Bevestig de luchttoevoerslang op de luchtinlaataansluiting op de regelaar van de tank.
- Bevestig de slang voor de verstuivingslucht op de luchtuitlaataansluiting die zich recht tegenover de luchtinlaataansluiting bevindt.
- Bevestig de slang voor het spuitmateriaal op de vloeistofuitlaataansluiting.

- Zie Figuur 1 voor een standaard aan de ring van de veiligheidsklep. opstelling.

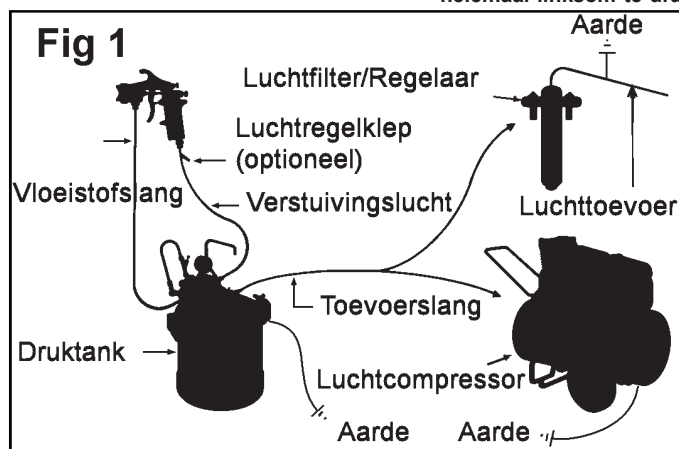
GEBRUIK

- Schakel de luchttoevoer in.
- Draai de stelschroef van de T-handgreep op de regelaar van de tank naar rechts om de druk van het spuitmateriaal te verhogen: draai deze naar links om de druk te verminderen. De maximale druk in de tank is 5,5 bar.
- De verstuivingslucht voor het spuitpistool kan worden ingesteld op het pistool met behulp van een luchtregelklep (HAV-501) of met de extra luchtregelaar PT-413 die als accessoire verkrijgbaar is (zie P6).
- Raadpleeg de instructies voor het spuitpistool voor het gebruik van het spuitpistool.

VOORZICHTIG

Bij gebruik van een snelkoppeling op de luchtinlaat van de regelaar op de druktank, mag u de snelkoppeling niet losmaken als er druk in de tank is, tenzij de kogelklep is gesloten.

Als u dat doet, zal de druk in de tank snel worden afgevoerd, waardoor de verf kan worden teruggezogen via de luchtregelaar en de luchtmotor, afhankelijk van het vloeistofpeil in de tank. De druk in de tank moet altijd worden afgevoerd door de regelaar helemaal linksom te draaien of te trekken



VOORZICHTIG

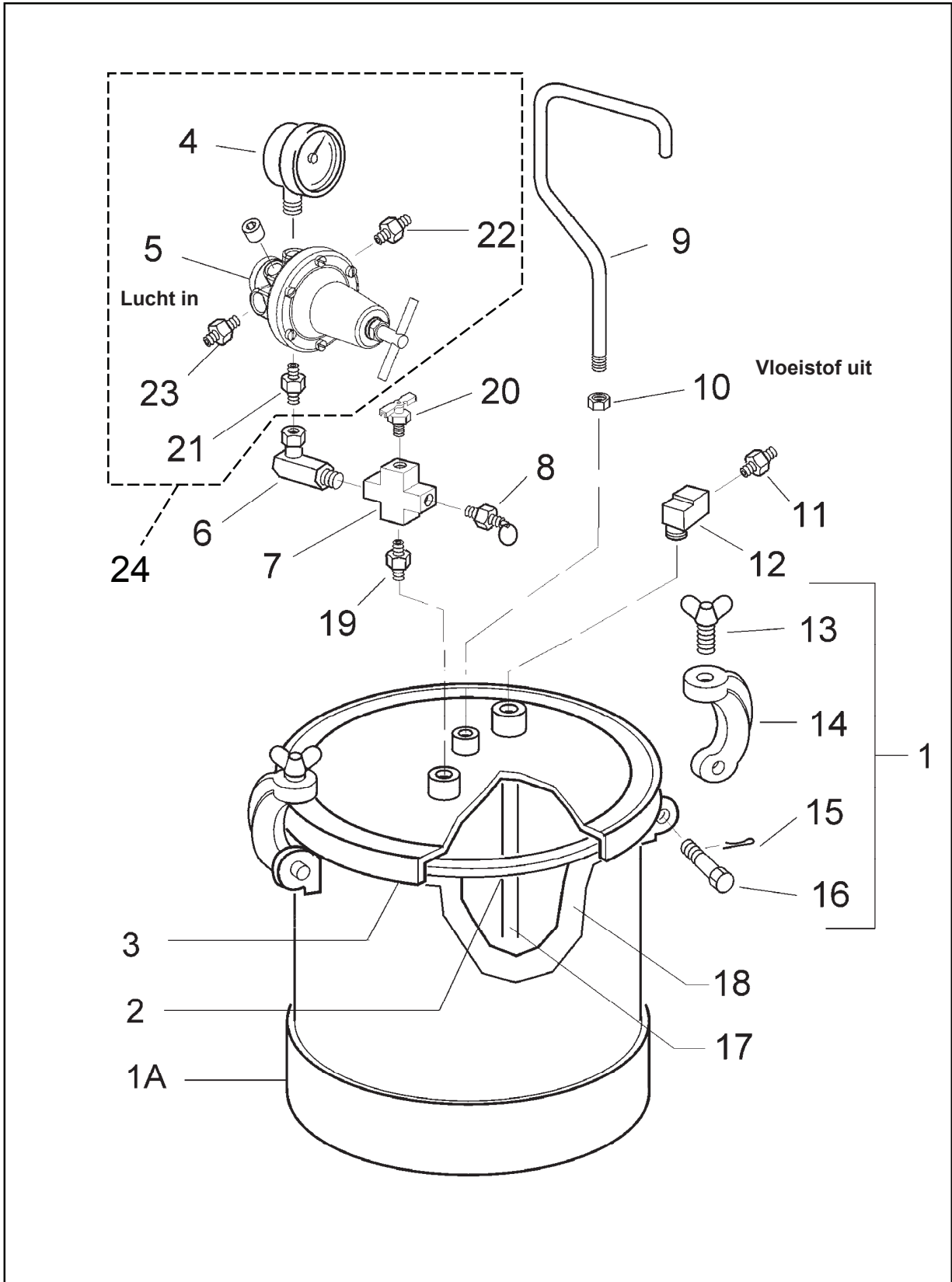
PREVENTIEF ONDERHOUD

Apparatuur reinigen:

- Schakel de hoofd luchttoevoer naar de tank uit.
- Draai de stelschroef van de T-handgreep op de regelaar van de tank linksom totdat u geen veerspanning meer voelt.
- Haal alle druk uit de tank door te trekken aan de ring op de veiligheidsklep totdat de tank is ontucht.
- Draai de vingerschroeven los, zet de klemmen van de tankklep naar achteren en klap de klep naar een kant.
- Draai de ring van de luchtkap van het spuitpistool ongeveer drie slagen los.
- Om de slang van de vloeistoftoevoer naar het spuitpistool leeg te laten lopen, moet u de luchtkap verwijderen en met ongeveer twee slagen terugplaatsen. Schakel de luchttoevoer naar het spuitpistool in en houd de trekker van het pistool ingedrukt in de cabine; hierdoor ontstaat een tegendruk in de vloeistofleiding en zal de vloeistof terug in de tank lopen.
- Maak de tank leeg en reinig de tank en de onderdelen die in contact met spuitmateriaal zijn gekomen. Gebruik een geschikt reinigingsmiddel.
- Giet een reinigingsmiddel in de tank.
- Plaats de klep terug en zet de vingerschroeven en klemmen vast.
- Ga spuiten totdat er een schone oplossing naar buiten komt.
- Herhaal stappen 5 tot en met 7.

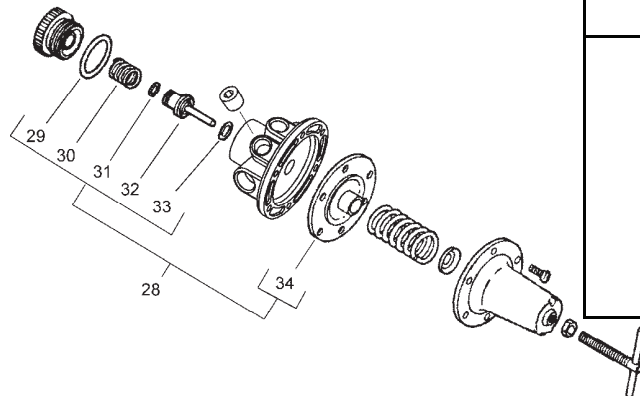
Houd de veiligheidsklep altijd schoon. Controleer regelmatig of de veiligheidsklep onbelemmerd werkt door aan de ring te trekken.

Ref. Nr.	Onderdeelnr:	Beschrijving	Vereiste afzonderlijke onderdelen
1	PT-423	Tank kit (omvat ref. nrs. 1A, 13, 14, 15 & 16)	1
1A	PT-420	Wand	1
2	PT-33-1	Pakking van tankklep, santopreen	1
3	PT-426	83C Klep, verzinkt	1
	PT-422	83Z Klep, roestvrij staal	1
4	83-2727	Meter	1
5	HAR-511	Regelaar	1
6	SSP-30-ZN	90° wartelverloopstuk 1/4" NPS (F) x 1/4" NPT (M)	1
7		Kruisverbindingstuk 1/4" NPT (F)	1
8	TIA-5080-CE	Veiligheidsklep - 80 psi	1
9	PT-32	Handgreep	1
10		Zeskantige moer 3/8" - 16	1
	AD-11	83C (NPT) Nippel 3/8" NPT (M) x 3/8" NPT (M)	1
	2101007	83C (BSP) Nippel 3/8" NPT (M) x 3/8" BSP (M)	1
11	SSP-459	83Z (NPT) Nippel 3/8" NPT (M) x 3/8" NPT (M) roestvrij staal	1
	CT-1164	83Z (BSP) Nippel 3/8" NPT (M) x 3/8" BSP (M) roestvrij staal	1
12	SSP-1939	Knie 3/8" NPT (F) x 3/8" (M) roestvrij staal	1
13	PT-79	Vingerschroef	4
14	————	Juk	4
15	————	Borgpen, 3/32 x 1"	4
16	————	Scharnierpen	4
17	PT-31	83C Vloeistofbuis	1
17	QMS-9-1	83Z Vloeistofbuis, roestvrij staal	1
18	PT-78-K10 of PT-78-K60	Binnenzak voor tank (set van 10 of 60)	1
19	SSP-462-ZN	Zeskantige nippel 1/4" NPT (M)	1
20	SS-2707	Ontluchtingsklep	1
21	83-4233	D.M nippel (83C-210)	1
	H-2008	(NPS) Nippel 1/4" NPT (M) x 1/4" NPS (M)	1
22	2101004	(BSP) Nippel 1/4" NPT (M) x 1/4" BSP (M)	1
	83-4233	(NPS) Nippel 3/8" NPT (M) x 1/4" NPS (M)	1
23	2101005	(BSP) Nippel 3/8" NPT (M) x 1/4" BSP (M)	1
24	85-451	Lucht regelsamenstel	1



Explosietekening van 83C & 83Z-210-CE druktank

Ref. 10 ONDERDELEN HAR-511 REGELAAR



Ref. Nr.	Onder-deelnr:	Beschrijving	Vereiste afzonderlijke onderdelen
28	KK-4977	Reparatiekit	1
+ 29	—	O-ring	1
+ 30	—	Veer	1
+ 31	—	O-ring	1
+ 32	—	Klep	1
+ 33	—	O-ring	1
+ 34	—	Membraan	1

Onderhoudscontroles

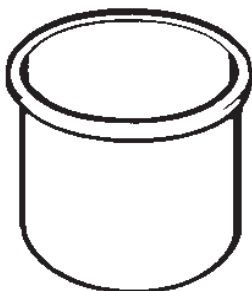
Probleem	Oorzaak	Oplossing
Lucht ontsnapt uit poort op de kap van de regelaar	Defect of beschadigd membraan (ref. nr. 34)	Membraan vervangen
Meter geeft aan dat druk omhoog kruipt	Vuile of versleten klepzitting in regelaar	Klepzitting reinigen of vervangen
Lucht lekt uit veiligheidsklep beneden maximale werkdruk	De klepzitting is vuil of beschadigd dan wel de klepsteel zit vast	Veiligheidsklep vervangen. Probeer de veiligheidsklep niet te repareren.
Vloeistof- of luchtlek bij de pakking van de tankklep	Kapotte pakking (ref. nr. 2) Vingerschroeven zijn niet stevig genoeg vastgedraaid	Pakking vervangen Schroeven vastdraaien

Opmerking: Controleer af en toe de meter (ref. nr. 4). De meter moet terugkeren naar nul als er geen druk op de meter is.

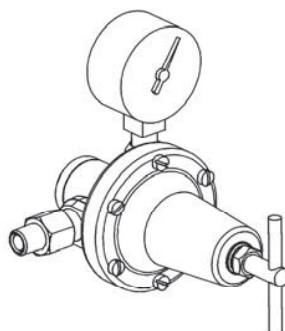
ACCESSOIRES

PT-78-K10 & PT-78-K60 binnenzak.

Een geperste polyethyleen binnenzak om de tank in kortere tijd te reinigen. De zak is vervaardigd van stevig, duurzaam en lekdicht polyethyleen en kan worden hergebruikt. Kan worden gebruikt met elk materiaal dat geschikt is voor polyethyleen (uitsluitend verkrijgbaar in sets van 10 en 60 stuks).

**PT-413 luchtregelaar.**

Wordt gebruikt om tanks met uitsluitend vloeistofregeling geschikt te maken voor vloeistof- en luchtregeling. Wordt gebruikt met draagbare luchtcompressoren of met luchttoevoerleidingen als geen andere apparaten om de luchtdruk te regelen (omzetters of regelaars) beschikbaar zijn.

**Kogelkleppen.**

Om een kogelklep te monteren op de luchtinlaat, moet de nippel (ref. nr. 29) worden verwijderd. Vervangen met kogelklep VA-5432-K (NPS) of VA-5427-K (BSP).

VA-540 afsluitklep voor vloeistofuitlaat.

Om deze te monteren, moet het verloopstuk (ref. nr. 16) worden verwijderd en worden vervangen door kogelklep VA-5429-K (BSP) of VA-5424-K (NPS) (conische schroefdraad voor bevestiging aan de regelaar).

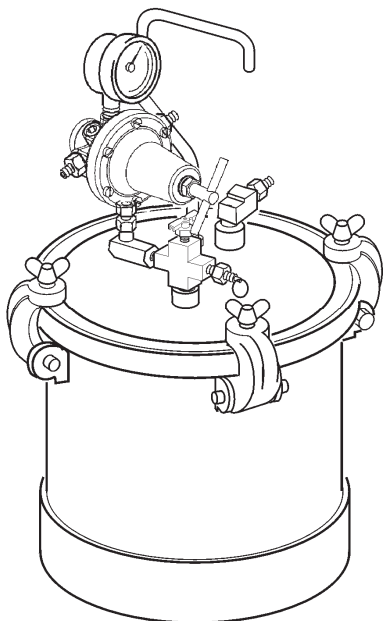
Met deze kleppen wordt de aansluiting van lucht- en vloeistofslangen vergemakkelijkt.


BINKS®

TRYCKTANK 83C-210-CE OCH 83Z-210-CE

Liten tank – upp till 9,5 liter (2,8 US gallon)

VIKTIGT: Läs och följ alla instruktioner och SÄKERHETSANVISNINGAR innan du använder utrustningen. Spara för framtida referens.



BESKRIVNING

Dessa trycktankar är CE-märkta i enlighet med tryckutrustningsdirektivet 97/23/EG och ATEX-direktivet 94/9/EG kat. 2 G X för användning i zon 1 och 2. De är lämpliga för användning tillsammans med brandfarliga och vattenbaserade (endast 83Z) material.

Dessa trycktankar är utformade som tryckbehållare för matning av flytande material vid ett konstant förutbestämt tryck upp till max. 5,5 bar (80 psi). Tankarna är byggda enligt ASME-specifikationer. 83C-modellerna är tillverkade av elektroförzinkat kolstål. 83Z-modellerna har vätskepassager och lock av rostfritt stål och är utrustade med polyetylenliner för enkel rengöring.

Modeller:

83C-210-CE: Konstruktion med lock och hölje av elektroförzinkat kolstål och enkel reglering.

83Z-210-CE: Konstruktion med hölje av elektroförzinkat kolstål och enkel reglering, vätskepassager och lock i rostfritt stål för vattenbaserade material.

VARNING

Lösningsmedel innehållande halogenkolväten – till exempel: 1,1,1 – trikloretan och metylenklorid – kan reagera kemiskt med aluminiumdelar och -komponenter och medföra explosionsrisk. Dessa lösningsmedel leder även till korrosion av bestrykningsmaterialet i den galvaniserade tanken. Läs materialets etikett eller datablad. **Använd inte material som innehåller dessa lösningsmedel i dessa trycktankar.**

FÖRSIKTIGHET

Se specifikationstabellen för att säkerställa att de vätskor och lösningsmedel som används är kemiskt kompatibla med tankens våta delar. Läs alltid medföljande säkerhetsdatablad och dokumentation från tillverkaren innan du placerar vätskor eller lösningsmedel i tanken.

VARNING

Lufttrycksbelastning som är större än den dimensionerade belastningen eller förändringar av tryckmatningstanken kan medföra att tanken spricker eller exploderar.

- En säkerhetsventil skyddar tanken från övertryck. Dra i ringen på säkerhetsventilen vid varje användningstillfälle för att kontrollera att den rör sig fritt och lättar på lufttrycket. Om ventilen har fastnat, inte rör sig fritt eller inte lättar på lufttrycket, måste den bytas ut. Ta inte bort, justera eller byt ut ventilen mot något annat eller någon annan modell.

- Lufttanken blir försvagad av ändringar. Borra eller svetsa aldrig i tanken eller ändra tanken på något annat sätt.

- Tankens maximala arbetstryck är 5,5 bar (80 psi).

VARNING

Statisk elektricitet kan skapas av vätsketrycket i trycktanken och slangen. Gnistbildning kan uppstå om inte alla delar är ordentligt jordade. Gnistor kan antända ångor från lösningsmedel och den vätska som sprutas.

Jorda trycktanken genom att använda ledande luftslingor och/eller en ATEX-godkänd jordningsklämma från tanken och andra änden till en riktig jordning.

Om statisk gnistbildning uppstår eller du får en lättare stöt medan du använder denna utrustning ska du sluta att spruta omedelbart. Kontrollera jordningen innan du fortsätter att använda utrustningen.

VARNING

Förfarande för att lätta på trycket

Högt tryck kan orsaka allvarliga personskador. Trycket bibehålls inuti en trycktank efter att systemet har stängts av. Innan du försöker ta bort höljet måste trycket sänkas i följande steg:

1. Slå av tankens huvudsakliga lufttillförsel.
2. Stäng luftventilen som finns på tankens luftinsugningsrör.
3. Tappa av luft ur tanken genom att vrida på luftventilens vingskruv motsols. Vänta tills all luft har hunnit ut ur ventilen innan du tar bort trycktanksluckan.
4. Lämna avluftningsventilen öppen tills du har satt tillbaka luckan.

SÄKERHETSANVISNINGAR

Denna bruksanvisning innehåller information som det är viktigt att du känner till och förstår. Denna information handlar om ANVÄNDARSÄKERHET och att FÖREBYGGA PROBLEM MED UTRUSTNINGEN. Vi använder följande symboler för att hjälpa dig att känna igen denna information. Läs igenom dessa avsnitt särskilt noga.



Viktig information som berättar hur du förhindrar skador på utrustningen eller hur du undviker situationer som kan orsaka mindre personskador.







Viktig säkerhetsinformation - En fara som kan orsaka allvarliga personskador eller leda till dödsfall.

OBS!

Information som du bör vara särskilt uppmärksam på.



Följande faror kan uppstå under normal användning av utrustningen. Läs tabellen nedan.

FARA	ORSAK	SÄKERHETSÅTGÄRDER
BRAND 	Lösningsmedel och bstrykningsmedel kan vara mycket brandfarliga, särskilt när de sprutas.	<ol style="list-style-type: none"> 1. Tillräcklig ventilation måste tillämpas för att hålla luften ren från ackumulerade brandfarliga ångor. 2. Rökning får aldrig tillåtas i sprutområdet. 3. Brandsläckningsutrustning måste finnas tillgänglig i sprutområdet.
BRAND – TRYCKTANK 	Ångor från brandfarliga vätskor kan ta eld eller explodera.	<ol style="list-style-type: none"> 1. Förvara tanken på minst tre meters avstånd från antändningskällor, inklusive heta ytor, mekaniska gnistor och gnistbildande elektrisk utrustning (ej skyddad mot explosion).
INANDNING AV GIFTIGA SUBSTANSER 	Vissa material kan vara farliga att andas in eller vid kontakt med huden.	<ol style="list-style-type: none"> 1. Följ bstrykningsmaterial-tillverkarens instruktioner i säkerhetsdatabladet. 2. Tillräcklig ventilation måste tillämpas för att hålla luften ren från ackumulerade giftiga material. 3. Använd en mask eller en andningsapparat då risk föreligger för att andas in sprutade material. Masken måste vara lämplig för det material som sprutas.
EXPLOSION, TRYCKTANK – TANKEN BRISTER 	Trycktanken kan försvagas av eventuella ändringar eller modifieringar.	<ol style="list-style-type: none"> 1. Borra eller svetsa aldrig i tanken eller ändra tanken på något annat sätt. 2. Justera, avlägsna eller fingra aldrig på säkerhetsventilen. 3. Byt endast ut säkerhetsventilen mot angiven korrekt reservdel. 4. Montera aldrig någon annan säkerhetsventil av högre tryckklass än det maximala arbetstrycket för tanken.
ALLMÄN SÄKERHET	Felaktigt handhavande eller underhåll kan orsaka fara.	Användare bör ges lämplig utbildning med avseende på säker användning och underhåll av utrustningen.

DELNUMMERTABELL

Tankkod	Vikt (kg)	Höjd (mm)
83C-210-CE	12,8	485
83Z-210-CE	12,8	485

SPECIFIKATION

Tankkapacitet	9,5 liter
Max. arbetstryck	5,5 bar (80 psi)
Säkerhetsventilstryck	5,5 bar (80 psi)
Luftinloppsstorlek	1/4" NPS eller BSP (M)
Vätskeutloppsstorlek	3/8" NPS eller BSP (M)

KONSTRUKTIONSMATERIAL

Tankhölje		SA-620 förzinkat HR-stål 2,7 mm (8 gauge)
Tanklock	83C	SA-414 förzinkat HR-stål 4,2 mm
	83Z	304 rostfritt stål 4,2 mm (8 gauge)
Vätskerör	83C	Galvaniserat stål
	83Z	Rostfritt stål
Luftinsugningsrör		CRS, förzinkat
Vätskeutlopp	83C	Galvaniserat stål
	83Z	Rostfritt stål
Lockpackning		Santoprene

INSTALLATION

Blanda och förbered det material som ska användas enligt tillverkarens instruktioner. Sila materialet genom ett fint trådgaller (maskvidd 60 eller 90) för att ta bort alla främmande partiklar som kan ta sig in i och sätta igen materialpassagerna.

- Släpp alltid ut allt lufttryck i tanken. Dra i ringen på säkerhetsventilen tills trycket faller.
- Lossa på vingskruvarna, fäll lockklämmorna bakåt och ta bort lockenheten.
- Håll materialet i tanken. Se tillbehören för tankliners för engångsbruk. En tank för 3,79 liter (1 US gallon) kan även användas om 5 mm i slutet av vätskeröret skärs av i vinkel.
- Sätt tillbaka lockenheten och dra åt klämmorna och vingskruvarna ordentligt.
- Tilluftsledningen bör passera igenom ett luftfilter/en regulator för att filtrera bort smuts från luften och ta bort vatten och olja som har dragits med. Se **TILLBEHÖR** för tillgängliga filter. Anslut tilluftslangen till luftinloppsanordningen på tankregulatorn.
- Anslut finfördelningsluftslangen till luftutloppsanordningen som sitter mitt emot luftinloppsanordningen.
- Anslut materialslangen till vätskeutloppsanordningen.

- Se Figur 1 för en typisk installation.

ANVÄNDNING

- Vrid på lufttillförseln.
- Vrid på T-handtagets justerskruv medsols på tankregulatorn för att öka materialtrycket. Vrid det motsols för att minska trycket. Maximalt tanktryck är 5,5 bar.
- Sprutpistolens finfördelningsluft kan justeras på pistolen med en luftjusteringsventil (HAV-501) eller med den extra luftregulatorn PT-413 som finns tillgänglig som tillbehör (se sidan 6).
- Se instruktionerna för sprutpistolens för hur du hanterar pistolen.

FÖRSIKTIGHET

Om du använder en lufts snabbkoppling vid inloppet till regulatorn vid trycktanken får snabbkopplingen inte kopplas bort medan tanken trycksätts om inte kulventilen är stängd. Om detta görs kan tanktrycket falla snabbt och färg kan eventuellt sugas tillbaka genom luftregulatorn och luftmotorn, beroende på tankens vätskenivå. Tanktrycket ska alltid sänkas genom att vrida på regulatorn fullständigt motsols eller genom att dra i säkerhetsventilsringen.

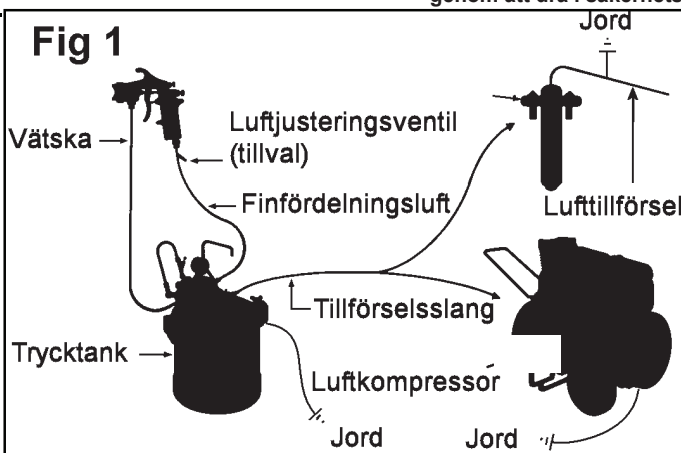
FÖREBYGGANDE UNDERHÅLL

FÖRSIKTIGHET

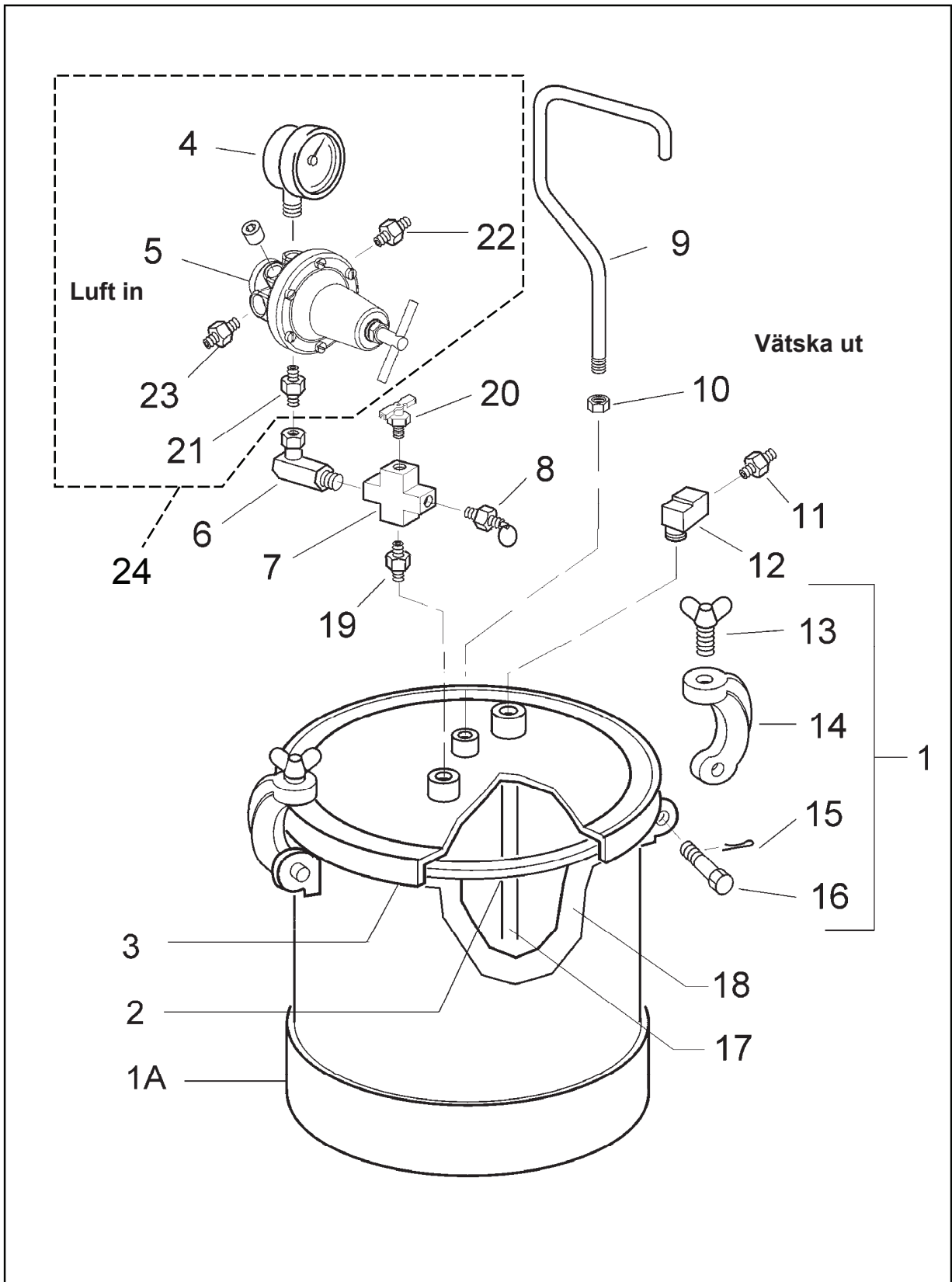
Rengöra utrustningen:

- Slå av tankens huvudsakliga lufttillförsel.
- Vrid på T-handtagets justerskruv på tankregulatorn motsols tills ingen fjäderspänning kan kännas.
- Lätta på allt tryck i tanken genom att dra i ringen på säkerhetsventilen tills trycket faller.
- Lossa på vingskruvarna, fäll klämmorna bakåt och luta tanklocket åt ena sidan.
- Lossa på stoppringen i sprutpistolens luftmunstycke ca tre varv.
- Vätsketillförselsslangen till pistolen töms genom att bort luftmunstycket och skruva till den igen med cirka två varv. Vrid på lufttillförseln till sprutpistolens och tryck på sprutpistolens för att spruta i ett ventilerat sprutrum. Detta skapar ett mottryck i vätskeledningen och tvingar vätskan tillbaka till tanken.
- Töm och rengör tanken och de delar som har varit i kontakt med materialet. Använd ett lämpligt rengöringsmaterial.
- Håll rengöringsmaterial i tanken.
- Sätt tillbaka locket och dra åt vingskruvarna och klämmorna.
- Spruta tills ren lösning kommer ut.
- Upprepa steg 5 till 7.

Håll alltid säkerhetsventilen ren. Kontrollera regelbundet att ventilen rör sig fritt genom att dra i ringen.

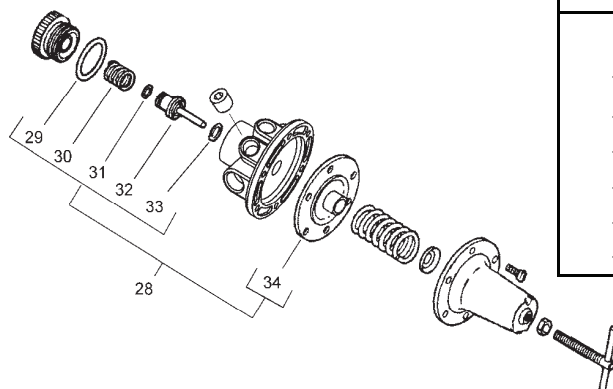


Ref.nr	Art.nr	Beskrivning	Antal delar som behövs
1	PT-423	Tankenhet (inklusive ref.nr 1A, 13, 14, 15 och 16)	1
1A	PT-420	Tankhölje	1
2	PT-33-1	Lockpackning, Santoprene	1
3	PT-426	83C Lock, förzinkat	1
	PT-422	83Z Lock, rostfritt stål	1
4	83-2727	Manometer	1
5	HAR-511	Regulator	1
6	SSP-30-ZN	90° sviveladapter 1/4" NPS (F) x 1/4" NPT (M)	1
7		Kors 1/4" NPT (F)	1
8	TIA-5080-CE	Säkerhetsventil – 80 psi	1
9	PT-32	Handtag	1
10		Sexkantsmutter 3/8" – 16	1
11	AD-11	83C (NPT) Nippel 3/8" NPT (M) x 3/8" NPT (M)	1
	2101007	83C (BSP) Nippel 3/8" NPT (M) x 3/8" BSP (M)	1
	SSP-459	83Z (NPT) Nippel 3/8" NPT (M) x 3/8" NPT (M), rostfritt stål	1
	CT-1164	83Z (BSP) Nippel 3/8" NPT (M) x 3/8" BSP (M), rostfritt stål	1
12	SSP-1939	Knärör 3/8" NPT (F) x 3/8" (M), rostfritt stål	1
13	PT-79	Vingskruv	4
14	————	Okenhet	4
15	————	Saxpinne, 3/32 x 1"	4
16	————	Gångjärnstapp	4
17	PT-31	83C Vätskerör	1
17	QMS-9-1	83Z Vätskerör, rostfritt stål	1
18	PT-78-K10 eller PT-78-K60	Tankliner (sats om 10 eller 60)	1
19	SSP-462-ZN	Sexkantsnippel 1/4" NPT (M)	1
20	SS-2707	Avluftningsventil	1
21	83-4233	DM-nippel (83C-210)	1
22	H-2008	(NPS) Nippel 1/4" NPT (M) x 1/4" NPS (M)	1
	2101004	(BSP) Nippel 1/4" NPT (M) x 1/4" BSP (M)	1
23	83-4233	(NPS) Nippel 3/8" NPT (M) x 1/4" NPS (M)	1
	2101005	(BSP) Nippel 3/8" NPT (M) x 1/4" BSP (M)	1
24	85-451	Luft justera aggregat	1



Sprängkiss över trycktank 83C och 83Z-210-CE

REGULATORENHETER ref. 10 HAR-511



Ref.nr	Art.nr	Beskrivning	Antal delar som behövs
28	KK-4977	Reparationssats	1
+ 29	—	O-ring	1
+ 30	—	Fjäder	1
+ 31	—	O-ring	1
+ 32	—	Ventil	1
+ 33	—	O-ring	1
+ 34	—	Membranenhet	1

Servicekontroller

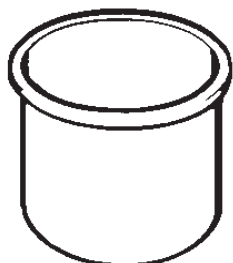
Problem	Orsak	Åtgärd
Luft sipprar ut från porten på regulatormunstycket.	Trasigt eller skadat membran (ref.nr 34).	Byt ut membranet.
Tryckkrypning registreras av manometer.	Smutsigt eller slitet ventilsåte i regulator.	Rengör eller byt ut ventilsåtet.
Luftläckage från säkerhetsventilen under maximala arbetstrycket.	Valvsåtet är smutsigt eller skadat eller ventilskaftenheten har fastnat.	Byt ut säkerhetsventilen. Försök inte reparera den.
Vätske- eller luftläckage vid lockpackning.	Defekt lockpackning (ref.nr 2). Vingskruvarna har inte dragits åt ordentligt.	Byt ut packningen. Dra åt skruvarna.

OBS! Kontrollera manometern då och då (ref.nr 9). Nålen bör återgå till noll när manometern inte utsätts för tryck.

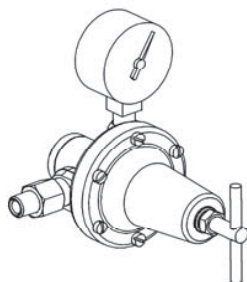
TILLBEHÖR

Liner PT-78-K10 och PT-78-K60.

En formgjuten tankliner i vätska polyetylen som minskar tankens rengöringstid. Linern är tillverkad av robust, tålig och läckagesäker polyetylen och kan återanvändas. Kan användas tillsammans med alla material som är kompatibla med polyetylen. (Endast tillgängliga i förpackningar om 10 eller 60.)

**Luftregulatorsats PT-413.**

Används för att konvertera enkelreglerade tankar (endast vätska) till dubbelreglerade (vätska och luft). Används tillsammans med bärbara luftkompressorer eller med luftledningar när inga andra metoder (lufttransformatorer eller regulatorer) för lufttrycksreglering finns att tillgå.

**Kulventiler.**

Ta bort nippeln (ref.nr 29) för att lägga till en kulventil till luftinloppet. Ersätts med kulventil VA-5432-K (NPS) eller VA-5427-K (BSP).

Avstängningsventil för vätskeutlopp VA-540. Ta bort adaptorn (ref.nr 16) för installation. Ersätts med kulventil VA-5429-K (BSP) eller VA-5424-K (NPS) (konisk gänga till regulator).

Användning av dessa ventiler underlättar montering av luft- och vätskeslangar.

WARRANTY POLICY

This product is covered by Carlisle Fluid Technologies' materials and workmanship limited warranty. The use of any parts or accessories, from a source other than Carlisle Fluid Technologies, will void all warranties. Failure to reasonably follow any maintenance guidance provided may invalidate any warranty.

For specific warranty information please contact Carlisle Fluid Technologies.

Carlisle Fluid Technologies is a global leader in innovative finishing technologies. Carlisle Fluid Technologies reserves the right to modify equipment specifications without prior notice.

DeVilbiss®, Ransburg®, ms®, BGK®, and Binks®
are registered trademarks of Carlisle Fluid Technologies, Inc.

©2018 Carlisle Fluid Technologies, Inc.
All rights reserved.

For technical assistance or to locate an authorized distributor,
contact one of our international sales and customer support locations.

Region	Industrial / Automotive	Automotive Refinishing
Americas	Tel: 1-800-992-4657 Fax: 1-888-246-5732	Tel: 1-800-445-3988 Fax: 1-800-445-6643
Europe, Africa, Middle East, India		Tel: +44 (0)1202 571 111 Fax: +44 (0)1202 573 488
China		Tel: +8621-3373 0108 Fax: +8621-3373 0308
Japan		Tel: +81 45 785 6421 Fax: +81 45 785 6517
Australia		Tel: +61 (0) 2 8525 7555 Fax: +61 (0) 2 8525 7575

For the latest information about our products, visit www.carlisleleft.com