



TGS-503 8 OUNCE SUCTION FEED CUP

DESCRIPTION

The TGS-503 8 ounce polyethylene cup is typically used in the application of small amounts of material as in touch-up work. The TGS-503 is suitable for use with all common paints and solvents.

Note

TGS-503 cup can be used with chlorinated solvents. These solvents will not affect the material used in this cup.



Refer to NFPA-33 publication regarding proper storage of flammable/combustible materials.

INSTALLATION

Fasten cup to gun by attaching to fluid inlet nipple on gun body. Tighten only until snug. Lid Assembly (2) should be positioned so vent hole is to rear. When spraying upwards, it may be necessary to position vent toward front of gun body.

OPERATION

Strain all materials prior to putting into cup (5). A 90 mesh screen is recommended for this purpose. Do not fill cup (5) beyond level shown. See Figure 1.

PREVENTIVE MAINTENANCE

Clean with solvent and wipe with rag.

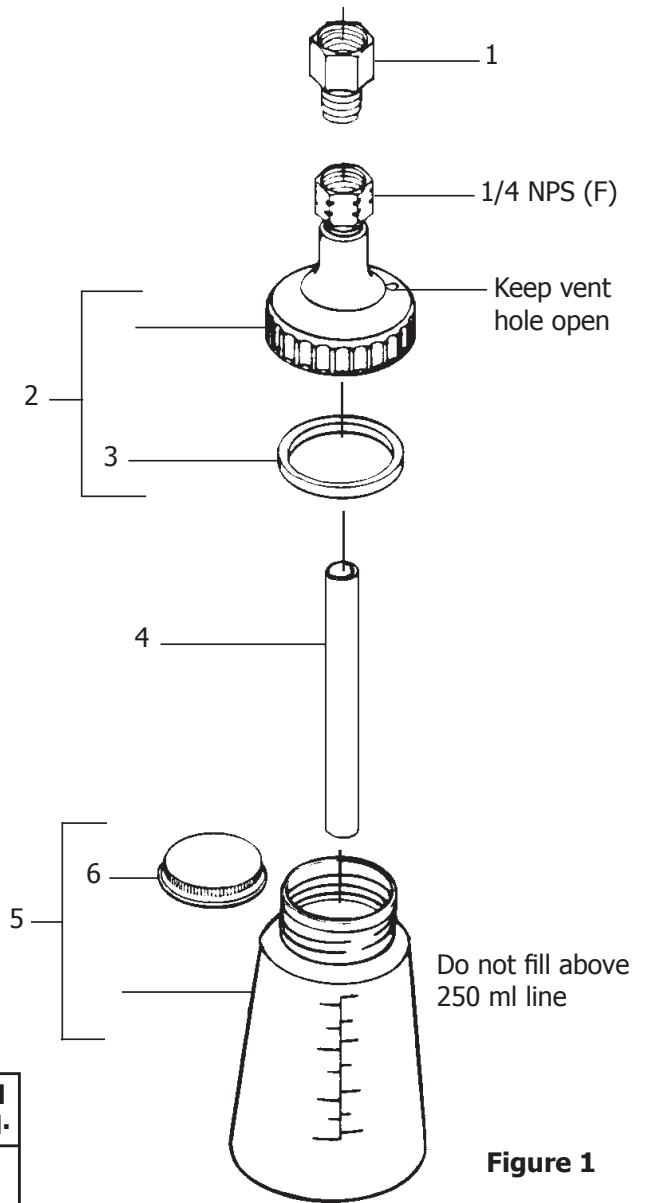


Figure 1

Ref. No.	Replacement Part No.	Description	Individual Parts. Req.
1	AD-404	Adapter - Accessory 1/4" NPS(M) x 3/8" NPS(F)	1
■ 2	TGS-401	Lid Assembly	1
3	TGS-4-K5	Gasket (Kit of 5)	1
4	TGS-6-K5	Fluid Tube 4" (Kit of 5)	1
5	TGS-406	Cup and Cover Assembly (Polyethylene)	1
● 6	----	Cup Lid	1

■ This lid assembly can be used along with AD-404 (1) adapter for use with JGA, MBC or other guns with a 3/8" NPS(M) fluid inlet. The EGA gun uses this lid assembly without the adapter.

● One C-422 (6) cup lid is included. Not a purchasable part. Included in TGS-406 (5).

WARRANTY POLICY

DeVilbiss products are covered by Carlisle Fluid Technologies one year materials and workmanship limited warranty. The use of any parts or accessories, from a source other than Carlisle Fluid Technologies, will void all warranties. For specific warranty information please contact the closest Carlisle Fluid Technologies location listed below.

Carlisle Fluid Technologies reserves the right to modify equipment specifications without prior notice. DeVilbiss®, Ransburg®, MS®, BGK®, and Binks® are registered trademarks of Carlisle Fluid Technologies, Inc. ©2016 Carlisle Fluid Technologies, Inc. All rights reserved.



DeVILBISS

DeVilbiss is part of Carlisle Fluid Technologies, a global leader in innovative finishing technologies. For technical assistance or to locate an authorized distributor, contact one of our international sales and customer support locations.

USA/Canada

info@carlisleleft.com
Tel: 1-888-992-4657
Fax: 1-888-246-5732

Mexico

ventas@carlisleleft.com.mx
Tel: 011 52 55 5321 2300
Fax: 011 52 55 5310 4790

Brazil

vendas@carlisleleft.com.br
Tel: +55 11 5641 2776
Fax: 55 11 5641 1256

United Kingdom

info@carlisleleft.eu
Tel: +44 (0)1202 571 111
Fax: +44 (0)1202 573 488

France

info@carlisleleft.eu
Tel: +33(0)475 75 27 00
Fax: +33(0)475 75 27 59

Germany

info@carlisleleft.eu
Tel: +49 (0) 6074 403 1
Fax: +49 (0) 6074 403 281

China

mkt@carlisleleft.com.cn
Tel: +8621-3373 0108
Fax: +8621-3373 0308

Japan

overseas-sales@carlisleleft.co.jp
Tel: 081 45 785 6421
Fax: 081 45 785 6517

Australia

sales@carlisleleft.com.au
Tel: +61 (0) 2 8525 7555
Fax: +61 (0) 2 8525 7575

For the latest information about our products, visit www.carlisleleft.com.

DeVILBISS
AUTOMOTIVE REFINISHING

DeVilbiss Automotive Refinishing is part of Carlisle Fluid Technologies, a global leader in innovative finishing technologies. For technical assistance or to locate an authorized distributor, contact one of our international sales and customer support locations.

USA/Canada

www.autorefinishdevilbiss.com
askus@carlisleleft.com
Toll Free Tel: 1-800-445-3988
Toll Free Fax: 1-800-445-6643

Mexico

www.autorefinishdevilbiss.com.mx
Toll Free Tel: 1-888-835-6232 USA

